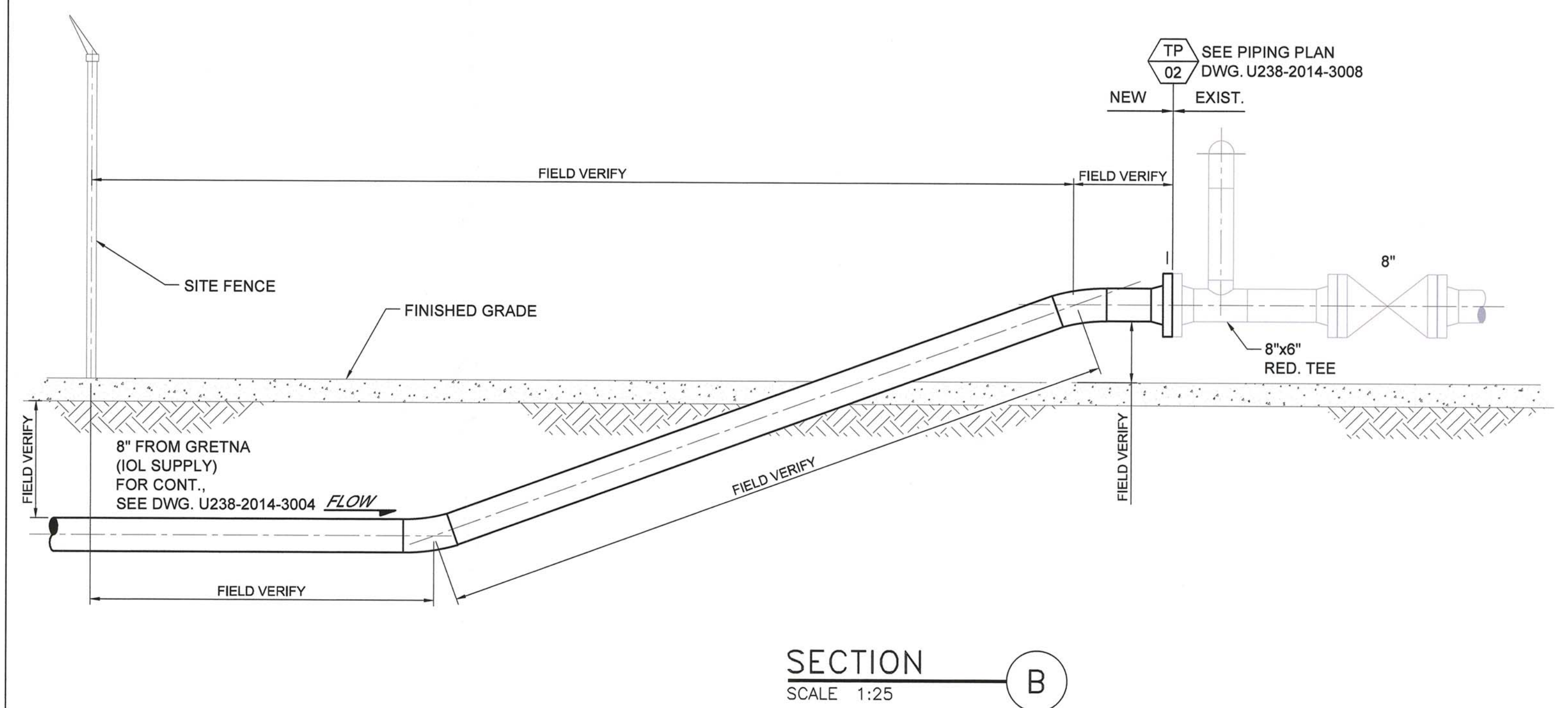
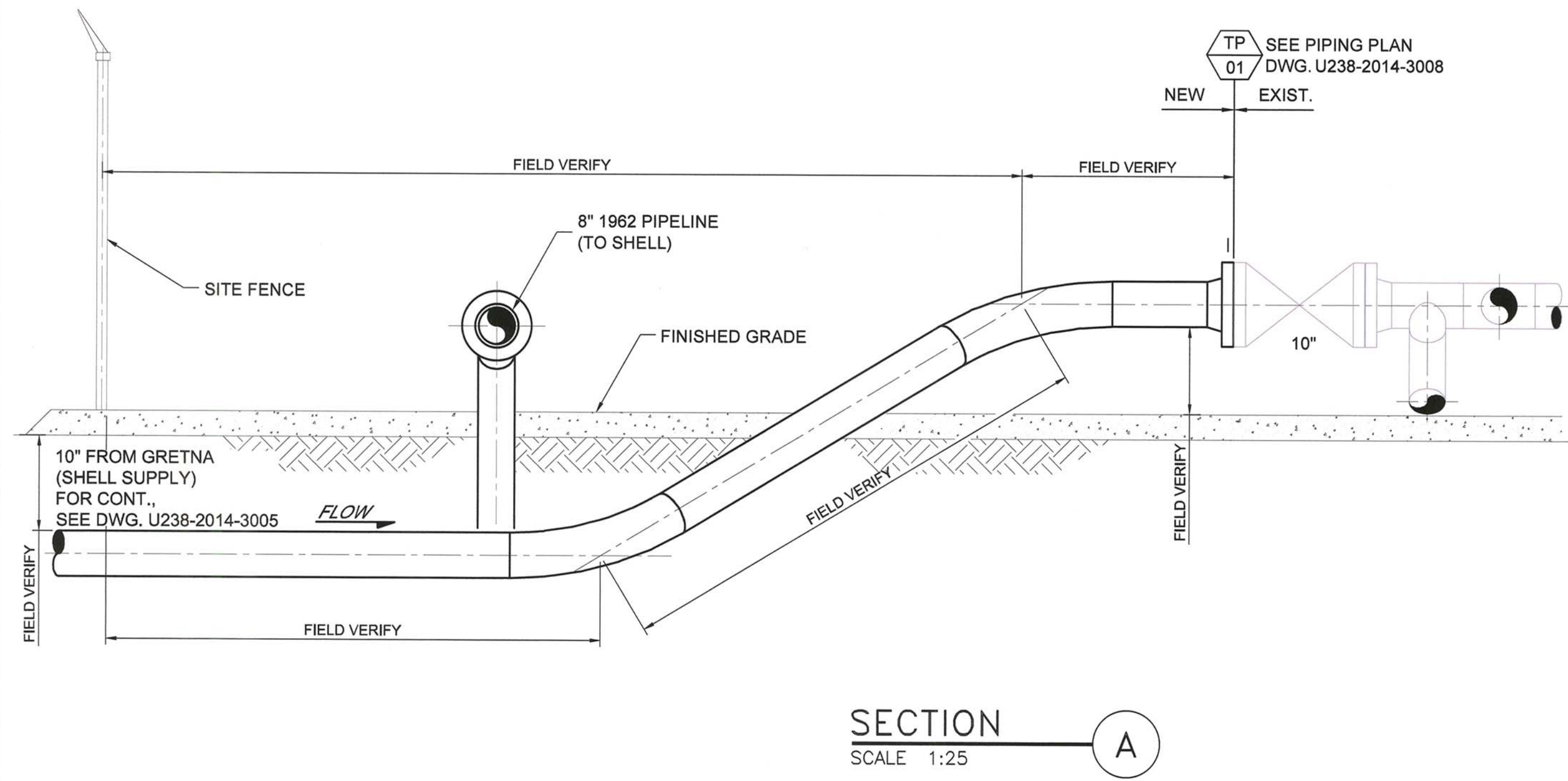
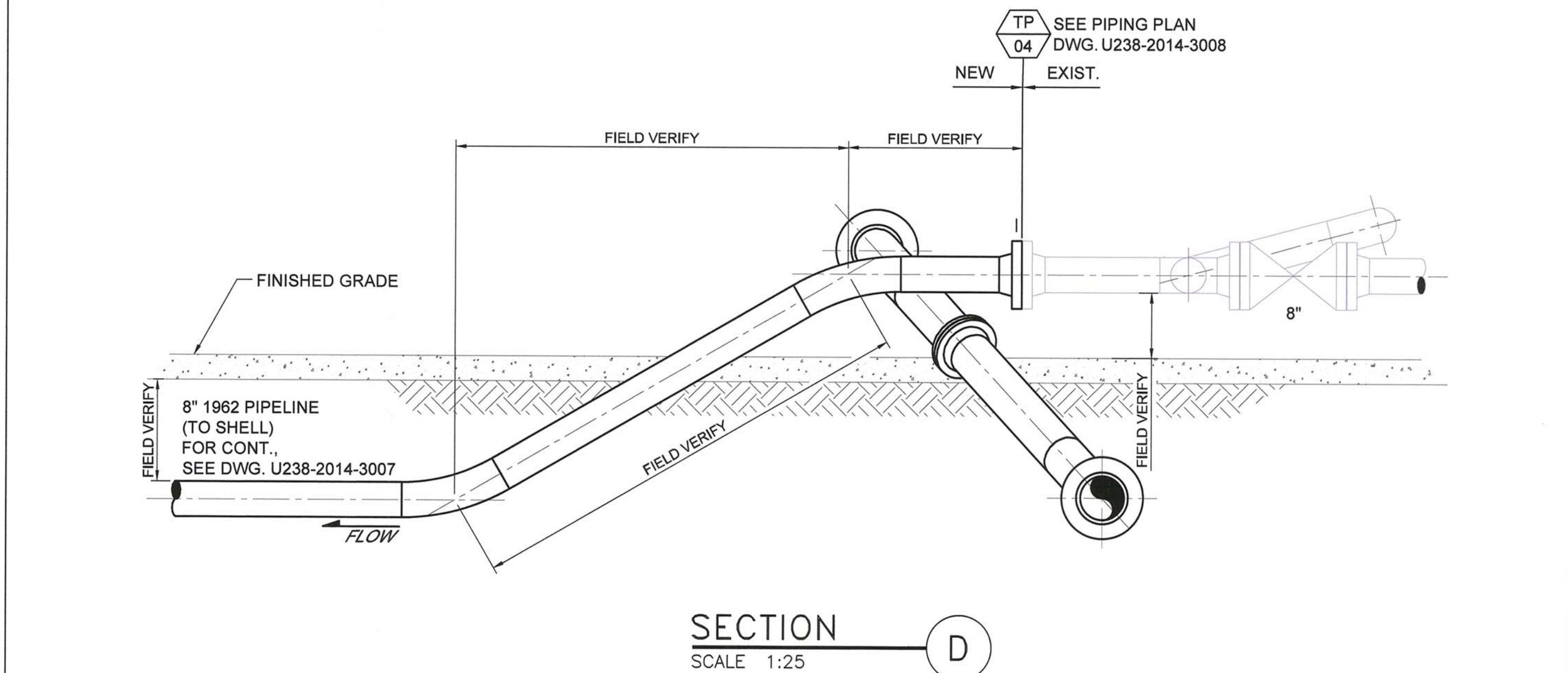
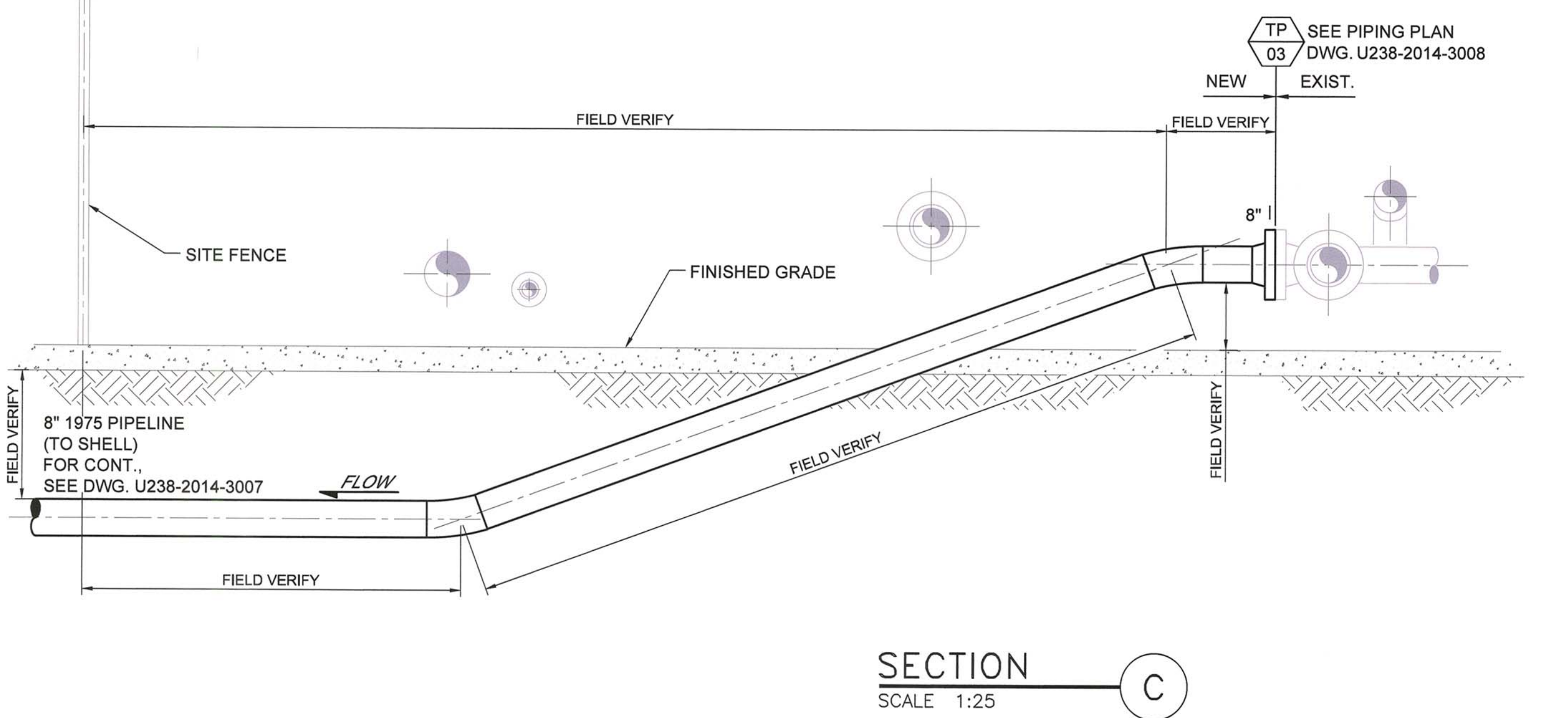


A1 - 8412584



2014-01-13



NOTES:

- ALL DIMENSIONS FOR SHOP FABRICATION OF PIPING SECTIONS SHALL BE FIELD DETERMINED BY CONTRACTOR. PIPING FABRICATION SHALL BE IN ACCORDANCE WITH CSA Z662.
- ALL WELDING SHALL BE DONE ON SITE AND IN ACCORDANCE WITH CSA Z662. CONTRACTOR SHALL SUBMIT PROPOSED WELDING PROCEDURE SPECIFICATIONS TO THE ENGINEER. NON-DESTRUCTIVE EXAMINATION (INCLUDING RADIOGRAPHIC EXAMINATION) OF WELDS SHALL BE PERFORMED ON ALL WELDS IN ACCORDANCE WITH CSA Z662. ACCEPTANCE STANDARDS SHALL BE IN ACCORDANCE WITH CSA Z662.
- PRIOR TO INSTALLATION, NEW PIPING SECTIONS SHALL BE HYDROSTATICALLY TESTED IN ACCORDANCE WITH CSA Z662.
- CONTRACTOR TO FIELD VERIFY ALL DIMENSIONS AND ELEVATIONS PRIOR TO CONSTRUCTION.
- DESIGNS ARE NOT YET FINALIZED AND APPROVED BY IMPERIAL OIL AND SHELL OIL.

APEGN
Certificate of Authorization
URS Canada Inc.
No. 5550 Date: 2014/01/13

REFERENCE DRAWING:
U238-2014-3008 TRANSCONA VALVE STATION
TIE-IN LOCATION PIPING PLAN
BID OPPORTUNITY NO. 1058-2013

DISCLAIMER:
URS MAKES NO WARRANTY (EXPRESS, IMPLIED OR OTHERWISE) THAT THE INFORMATION CONTAINED HEREIN IS ACCURATE OR COMPLETE AS TO ANY AND ALL SUBSURFACE CONDITIONS AND CONFORMATION. ANY RELIANCE CONTRACTOR PLACES ON THE INFORMATION CONTAINED HEREIN AS TO SUCH CONDITIONS IS DONE SO AT ITS OWN RISK AND EXPENSE. IT IS THE SOLE RESPONSIBILITY OF THE CONTRACTOR TO CONTACT THE PROVINCE "ONE CALL" SYSTEM PRIOR TO ANY EXCAVATION.

ISSUED BY URS
January 13, 2014
IF PRINTED THIS DOCUMENT IS UNCONTROLLED.



LOCATION APPROVED UNDERGROUND STRUCTURES

SUPV. / U/G STRUCTURES COMMITTEE	DATE

NOTE:
LOCATION OF UNDERGROUND STRUCTURES AS SHOWN ARE BASED ON THE BEST INFORMATION AVAILABLE, BUT NO GUARANTEE IS GIVEN THAT ALL EXISTING UTILITIES ARE SHOWN OR THAT THE GIVEN LOCATIONS ARE EXACT. CONFIRMATION OF EXISTENCE AND EXACT LOCATION OF ALL SERVICES MUST BE OBTAINED FROM THE INDIVIDUAL UTILITIES BEFORE PROCEEDING WITH CONSTRUCTION.

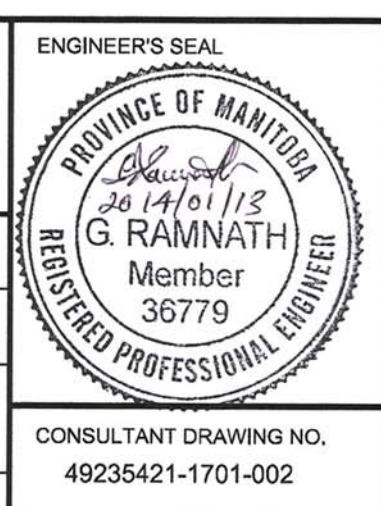
NO.	REVISIONS	DATE	BY
0	ISSUED FOR TENDER	14/01/11	CC
B	ISSUED FOR APPROVAL	14/01/10	CC
A	ISSUED FOR APPROVAL	14/01/09	CC

URS
4th FLOOR, 30 LEBEC CR
RICHMOND HILL, ON
L4B 4N6

DESIGNED BY	CC	CHECKED BY	BB
DRAWN BY	CC	APPROVED BY	LN

HOR. SCALE: 1:25
VERTICAL: N/A

RELEASED FOR CONSTRUCTION BY: URS
DATE: 2013-12-28



THE CITY OF WINNIPEG PUBLIC WORKS DEPARTMENT

IMPERIAL OIL LIMITED AND SHELL CANADA PIPELINES RELOCATION WORKS

TRANSCONA VALVE STATION TIE-IN LOCATION PIPING SECTIONS

CITY DRAWING NUMBER U238-2014-3009
SHEET 02 OF 02

CONSULTANT DRAWING NO. 49235421-1701-002

02