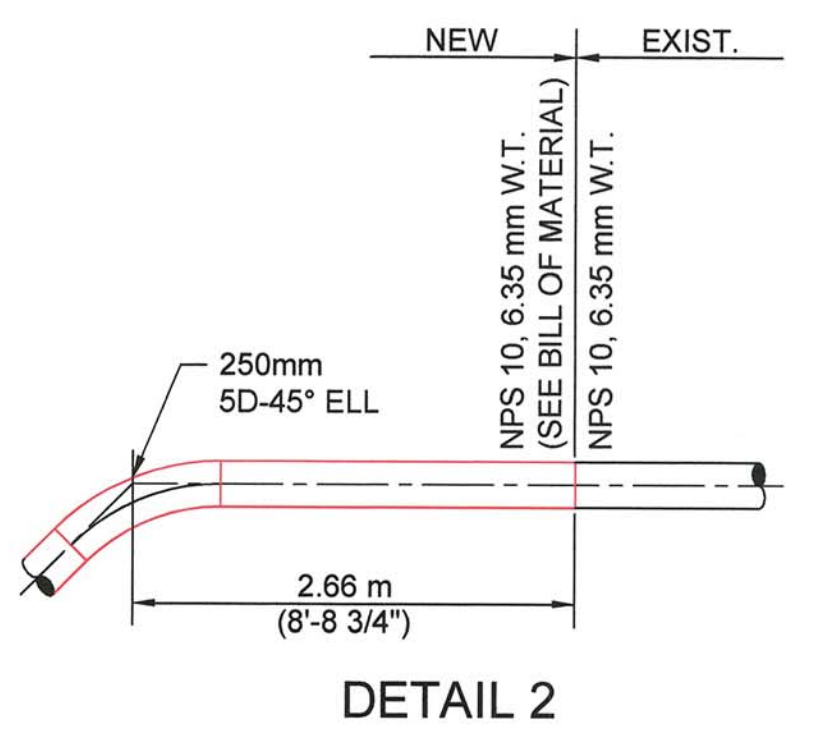
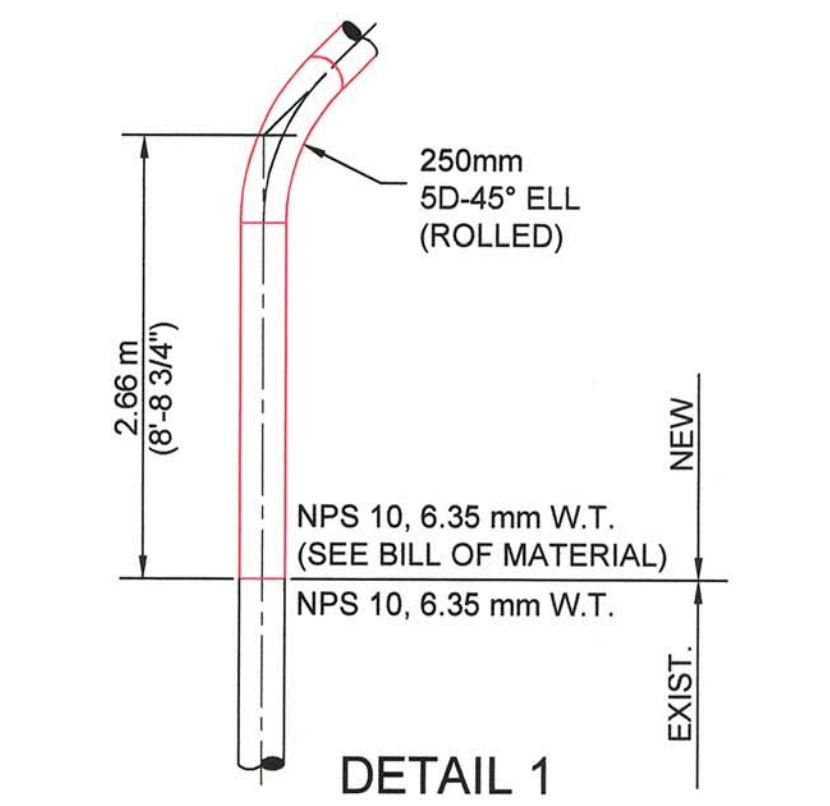
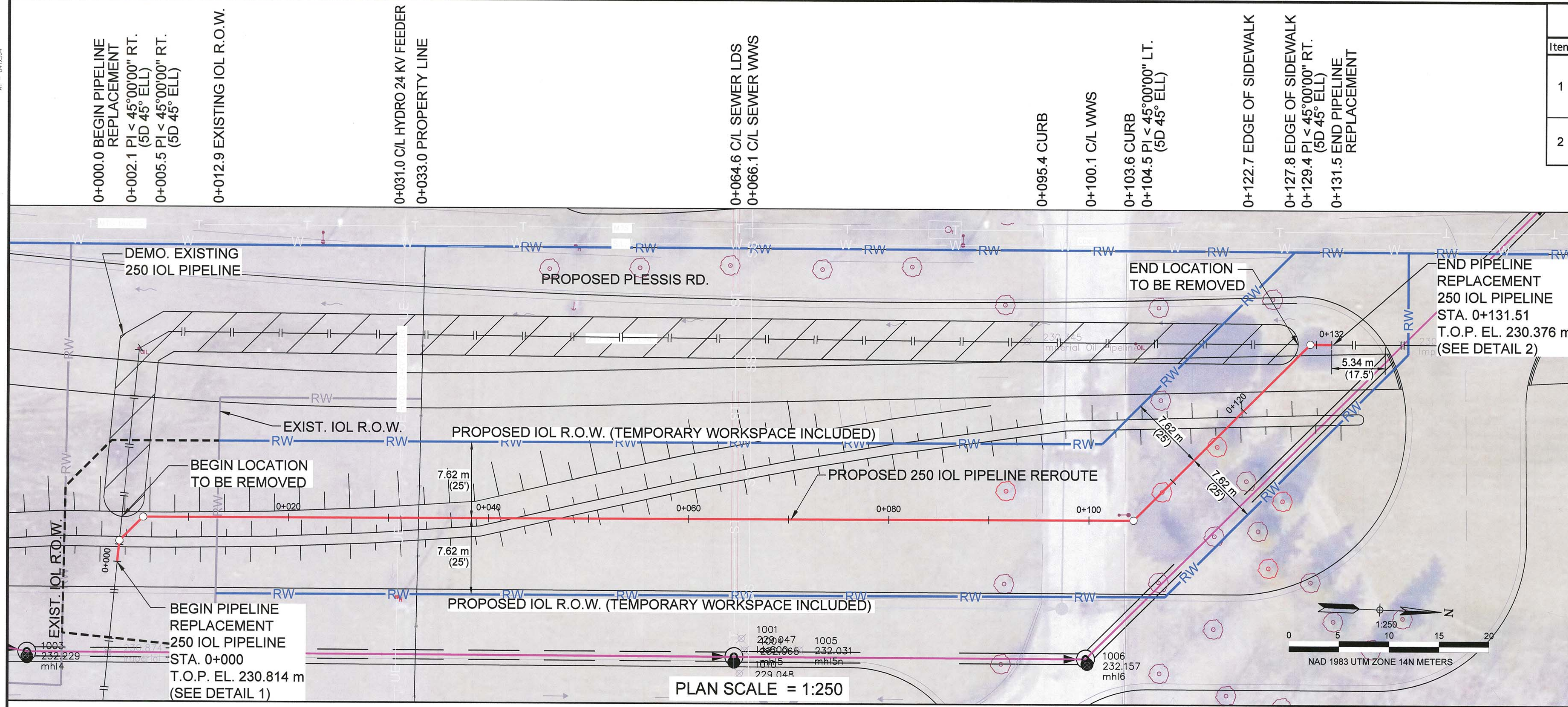


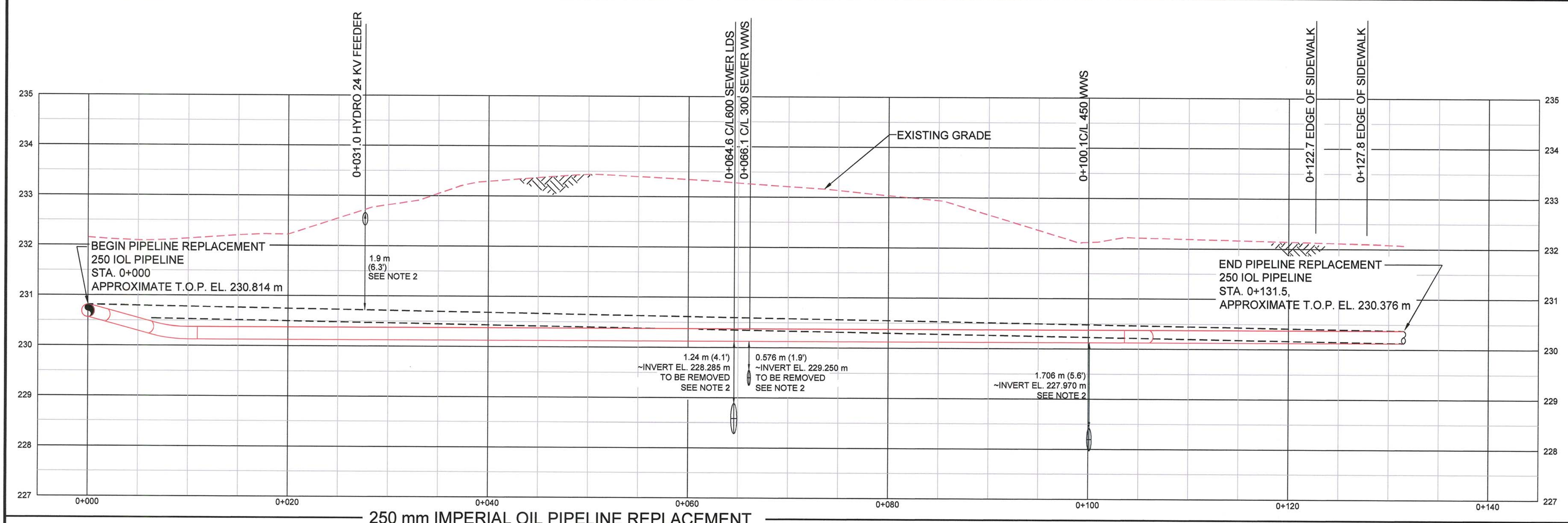
AT - 811054  
 2014-01-13  
 AT - 811054

BILL OF MATERIAL			
Item	NS	Description	QTY
1	10"	PIPE, 10.75" OD (273.05 mm OD), 0.25" WT (6.35 mm WT), CS, API 5L CAT II, CLASS 600, X42, SMLS CSA Z245.1, EXTERNALLY COATED USING YJ2K TYPE, DSAW, WELDED IN ACCORDANCE WITH GP 29-03-18.	135 m
2	10"	ELBOW, 45°, 10.75" OD (273.05 mm OD), 5D, 0.25" WT (6.35 mm WT), CS, BW, CAT II, X42, CLASS 600, CSA Z245.11, EXTERNALLY COATED USING YJ2K TYPE	4



**AFFECTED PARTIES:**  
 - CITY OF WINNIPEG  
 - FRESH WATER FISH  
 - CN RAILWAY  
 - HYDRO

- LEGEND**
- PROPOSED 250 IOL PIPELINE REPLACEMENT
  - PROPOSED IOL R.O.W. LINE
  - EXISTING 250 IOL PIPELINE
  - EXISTING IOL R.O.W. LINE
  - PROPERTY LINE
  - 1050 mm LDS (LAND DRAINAGE SEWER)



- NOTES:**
- DESIGNS ARE NOT YET FINALIZED AND APPROVED BY IMPERIAL OIL.
  - CONTRACTOR TO FIELD VERIFY ALL DIMENSIONS AND ELEVATIONS PRIOR TO CONSTRUCTION.
  - BEDDING AND BACKFILLING REQUIREMENTS ARE SHOWN IN THE ENGINEERING WORK PACKAGE (5421-B-SR-0002).

**DISCLAIMER:**  
 URS MAKES NO WARRANTY (EXPRESS, IMPLIED OR OTHERWISE) THAT THE INFORMATION CONTAINED HEREIN IS ACCURATE OR COMPLETE AS TO ANY AND ALL SUBSURFACE CONDITIONS AND CONFORMATION. ANY RELIANCE CONTRACTOR PLACES ON THE INFORMATION CONTAINED HEREIN AS TO SUCH CONDITIONS IS DONE SO AT ITS OWN RISK AND EXPENSE. IT IS THE SOLE RESPONSIBILITY OF THE CONTRACTOR TO CONTACT THE PROVINCE "ONE CALL" SYSTEM PRIOR TO ANY EXCAVATION.

Issued by URS  
 January 13, 2014



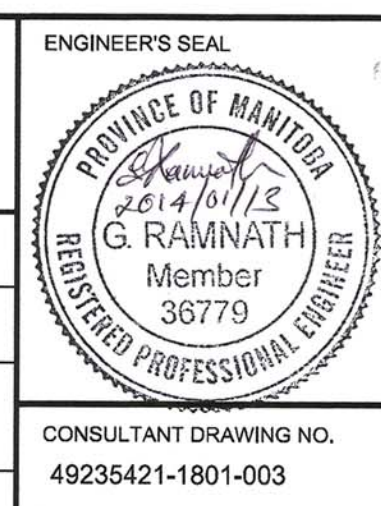
LOCATION APPROVED UNDERGROUND STRUCTURES		B.M. ELEV.	
SUPV. U/G STRUCTURES COMMITTEE	DATE		

**NOTE:**  
 LOCATION OF UNDERGROUND STRUCTURES AS SHOWN ARE BASED ON THE BEST INFORMATION AVAILABLE, BUT NO GUARANTEE IS GIVEN THAT ALL EXISTING UTILITIES ARE SHOWN OR THAT THE GIVEN LOCATIONS ARE EXACT. CONFIRMATION OF EXISTENCE AND EXACT LOCATION OF ALL SERVICES MUST BE OBTAINED FROM THE INDIVIDUAL UTILITIES BEFORE PROCEEDING WITH CONSTRUCTION.

DESIGNED BY		CHECKED BY	
DRAWN BY	DATE	APPROVED BY	DATE
URS	14/01/11	LN	2013-11-26
CC	14/01/10	LN	2013-11-26

HOR. SCALE: AS NOTED  
 VERTICAL: AS NOTED

RELEASING FOR CONSTRUCTION BY: URS  
 DATE: 2013-11-26



BID OPPORTUNITY NO. 1058-2013

**THE CITY OF WINNIPEG  
 PUBLIC WORKS DEPARTMENT**

**IMPERIAL OIL LIMITED  
 AND SHELL CANADA PIPELINES  
 RELOCATION WORKS**

WPL NPS 10 GRETTA TO IOL PIPELINE REPLACEMENT  
 PLAN & PROFILE, SCOPE 2  
 - IOL NORTH OF VALVE STATION

CITY DRAWING NUMBER  
 U238-2014-3006  
 SHEET 01 OF 01

**01**