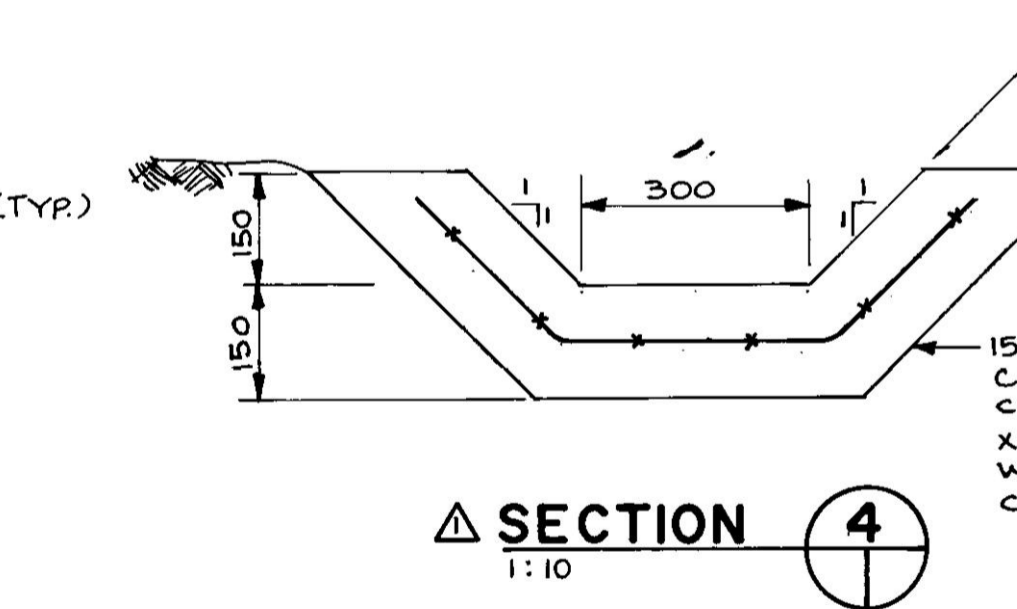
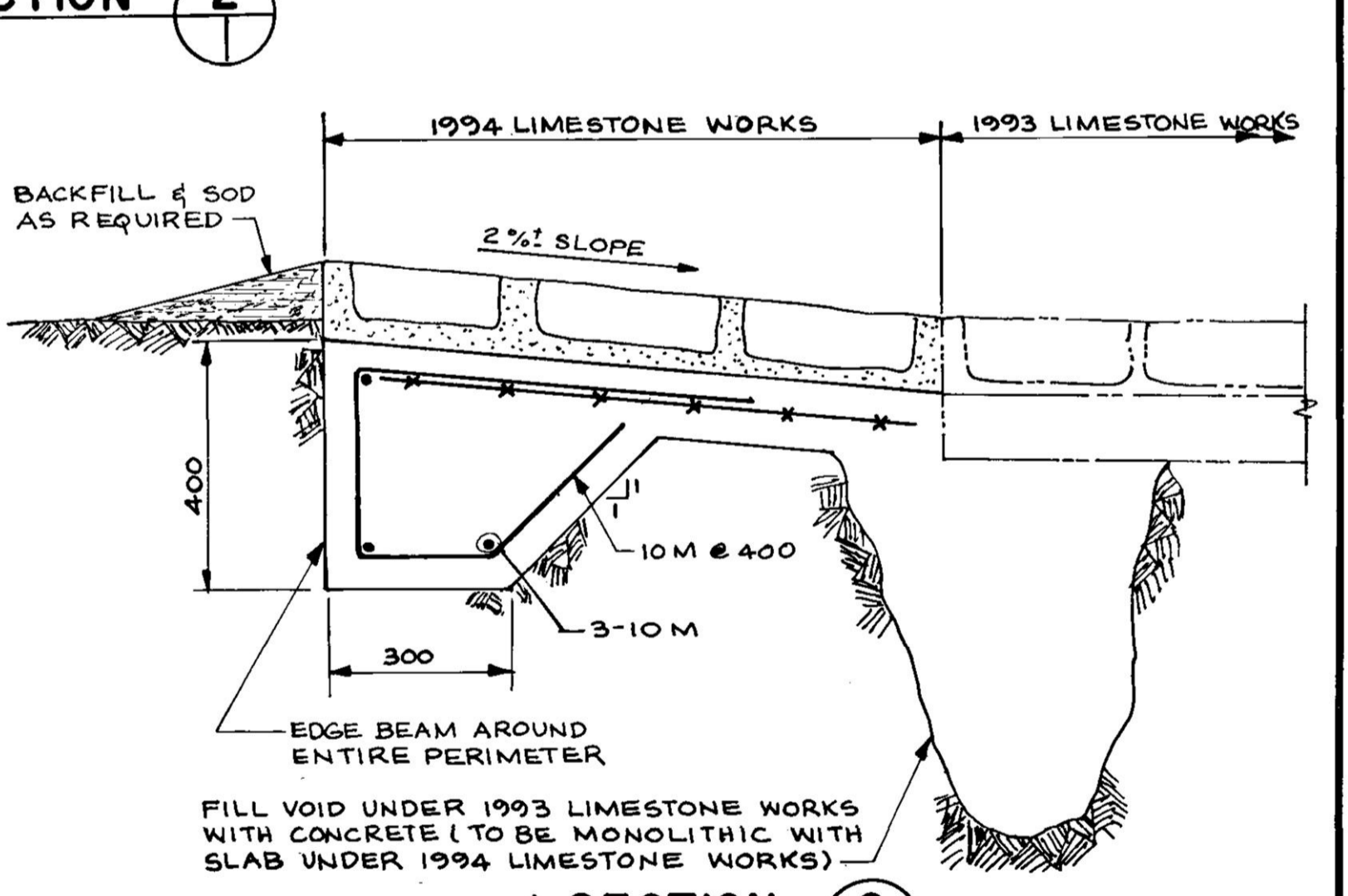
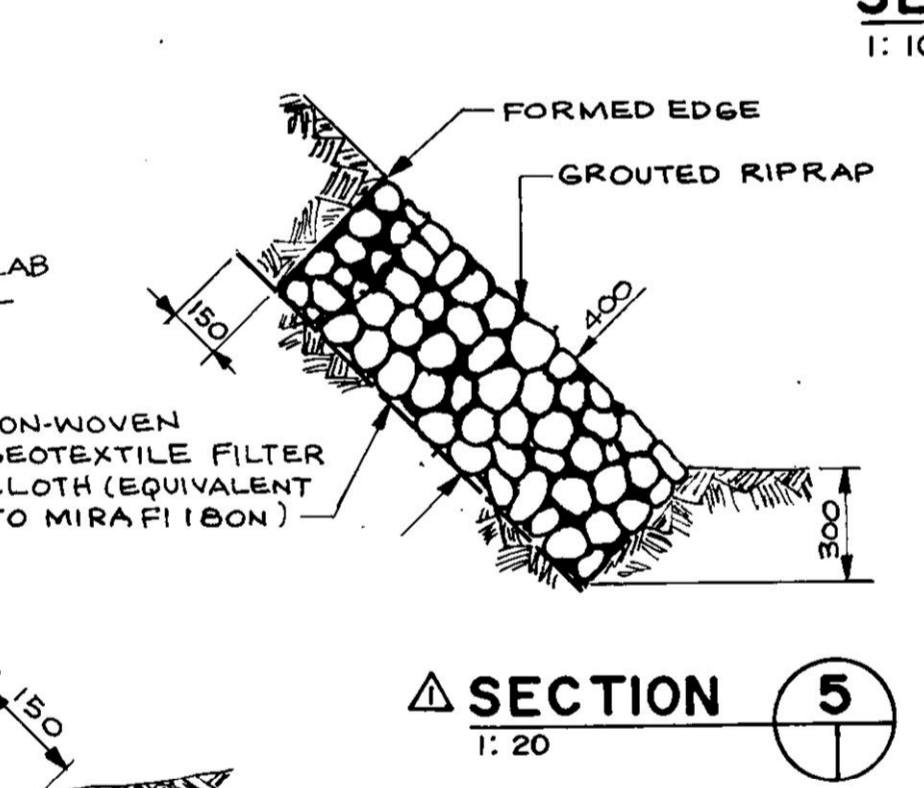
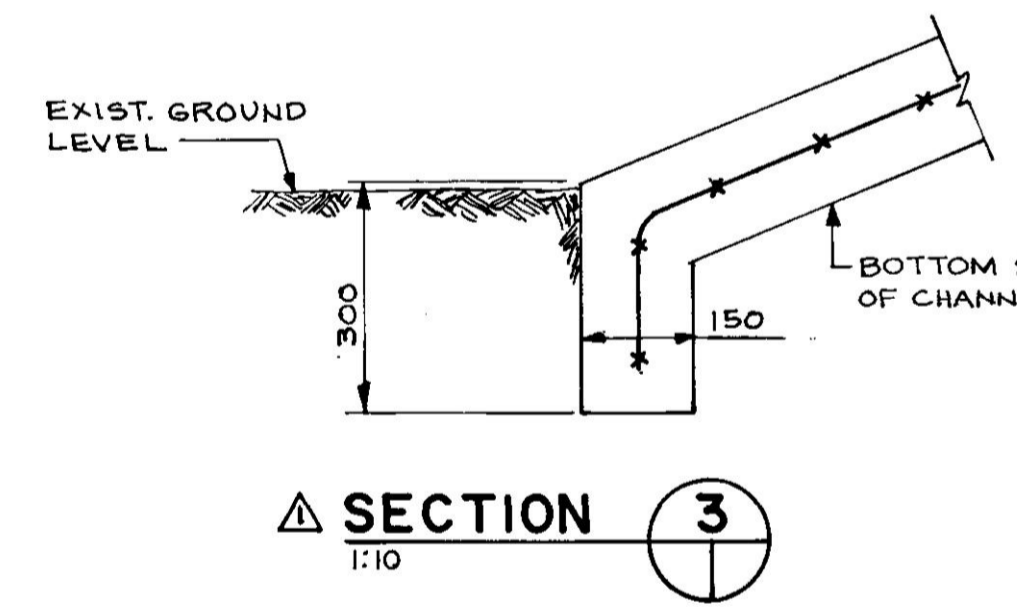
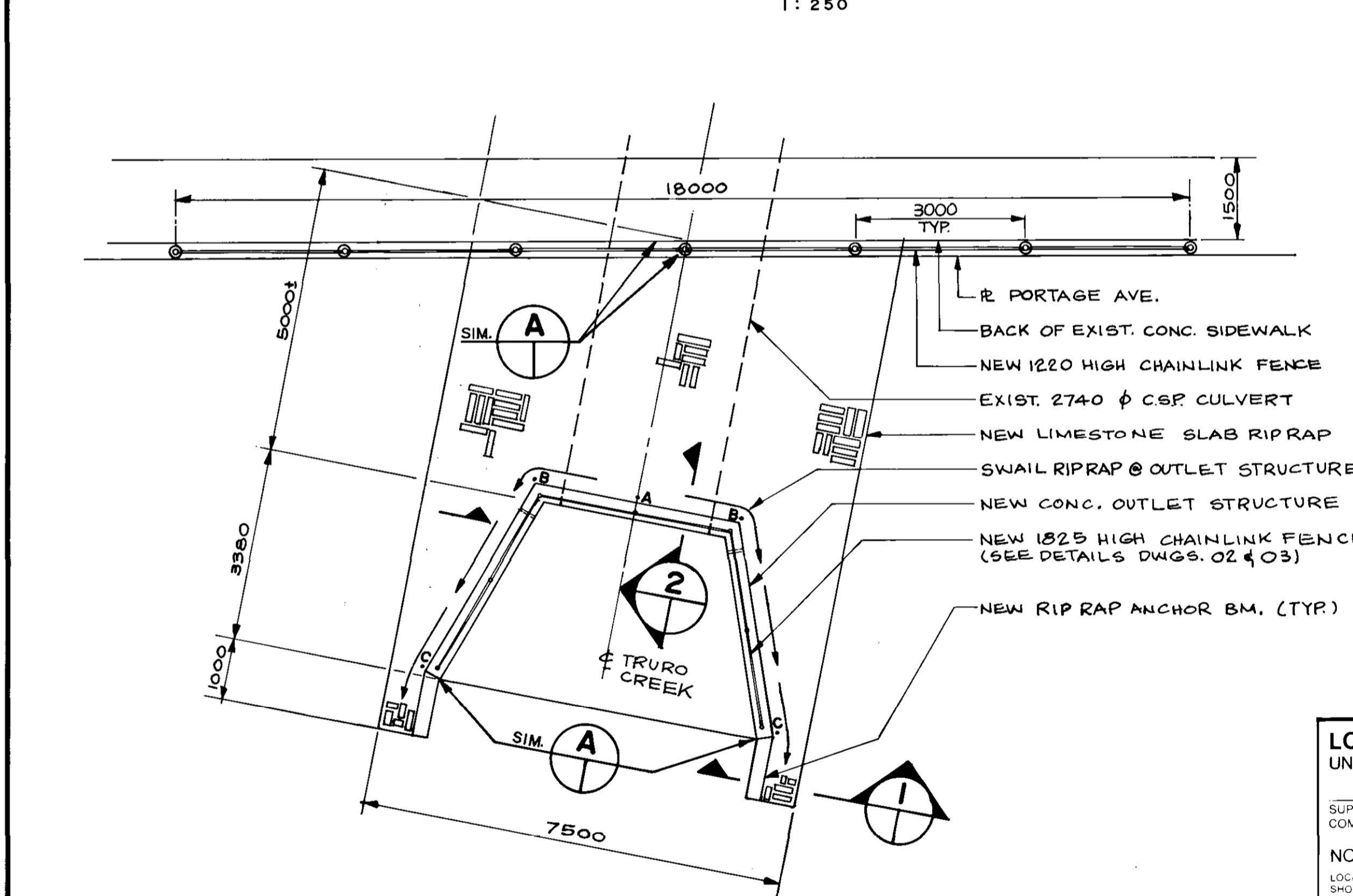


LOCATION (SEE PLAN)	X'
PT. A	25
PT. B	150
PT. C	150



RECORD DRAWING
APPROVED BY: [Signature] DATE: 75.01.26
DESIGNED BY: B.A.N.
DRAWN BY: N.B.G.
HORIZ. SCALE: AS SHOWN
VERTICAL: AS SHOWN
DATE: MAY 1993

LOCATION APPROVED UNDERGROUND STRUCTURES N/A

NO	REVISIONS	DATE	BY

NOTE:
LOCATION OF UNDERGROUND STRUCTURES AS SHOWN ARE BASED ON THE BEST INFORMATION AVAILABLE BUT NO GUARANTEE IS GIVEN THAT ALL EXISTING UTILITIES ARE SHOWN OR THAT THE GIVEN LOCATIONS ARE EXACT. CONFIRMATION OF EXISTENCE AND EXACT LOCATION OF ALL SERVICES MUST BE OBTAINED FROM THE INDIVIDUAL UTILITIES BEFORE PROCEEDING WITH CONSTRUCTION.

B.M. ELEV.	DATE	BY

DRAINAGE CHANNEL

DILLON
Consulting Engineers • Planners
Environmental Scientists

DESIGNED BY: B.A.N.
CHECKED BY: B.A.N.
DRAWN BY: N.B.G.
APPROVED BY: [Signature]
HORIZ. SCALE: AS SHOWN
VERTICAL: AS SHOWN
DATE: MAY 1993

PROVINCE OF MANITOBA
23-09-15
B.A.J. NEHRNCK
REGISTERED PROFESSIONAL ENGINEER
CONSULTANT DRAWING NO.

THE CITY OF WINNIPEG
WORKS AND OPERATIONS DIVISION
STREETS AND TRANSPORTATION DEPARTMENT

1993 BRIDGE MAINTENANCE
MISCELLANEOUS CONCRETE
REHABILITATION WORKS - PHASE II

CITY DRAWING NUMBER: C307-93-01
SHEET 1 OF 3

PORTAGE AVE. AT TRURO CREEK
SITE WORKS

B-5928-1