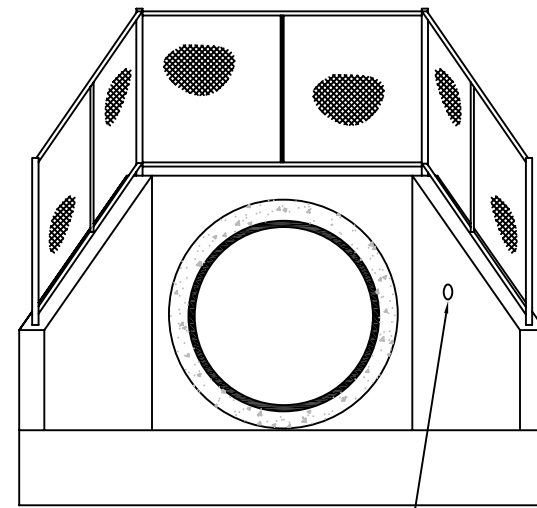
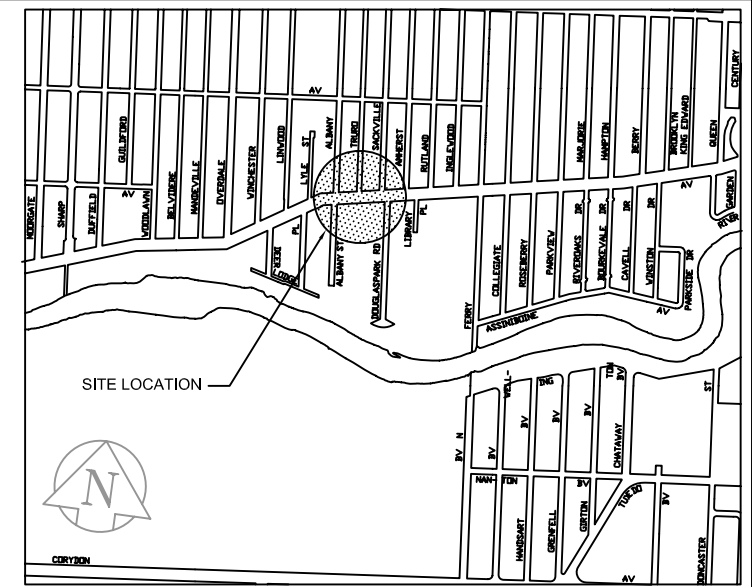


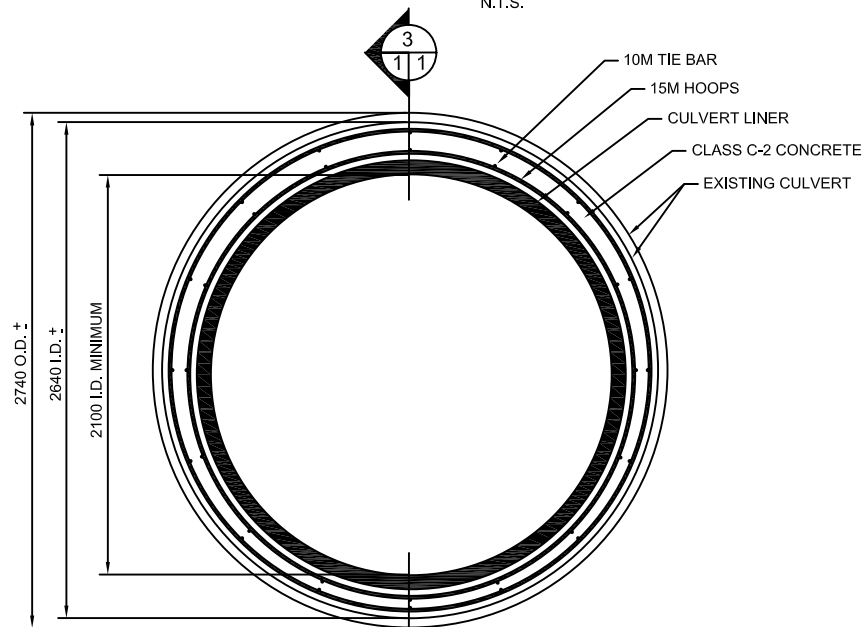
WINGWALL & CULVERT ELEVATION
N.T.S.



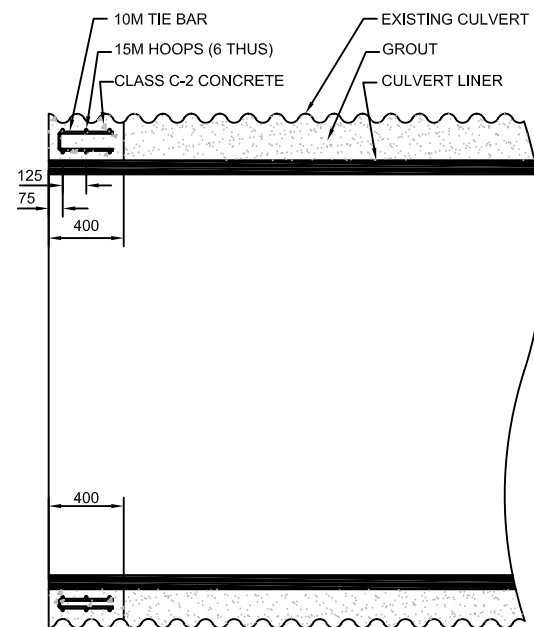
END ELEVATION
N.T.S.



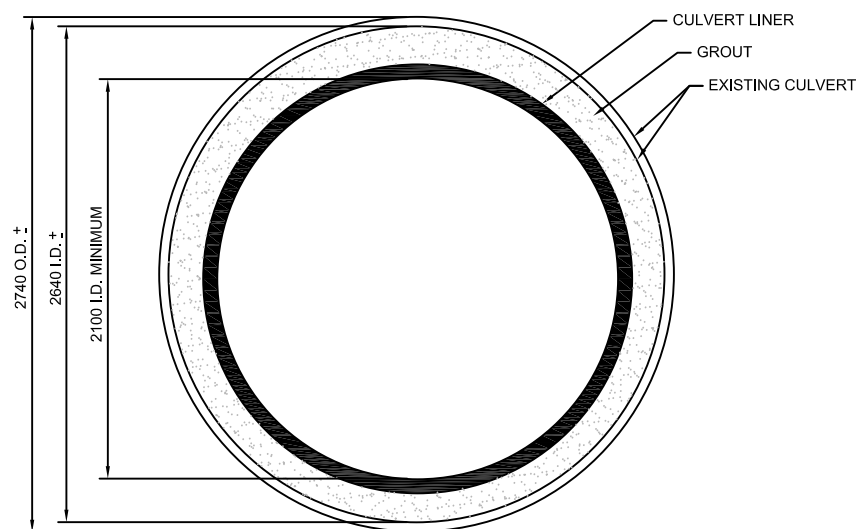
LOCATION PLAN



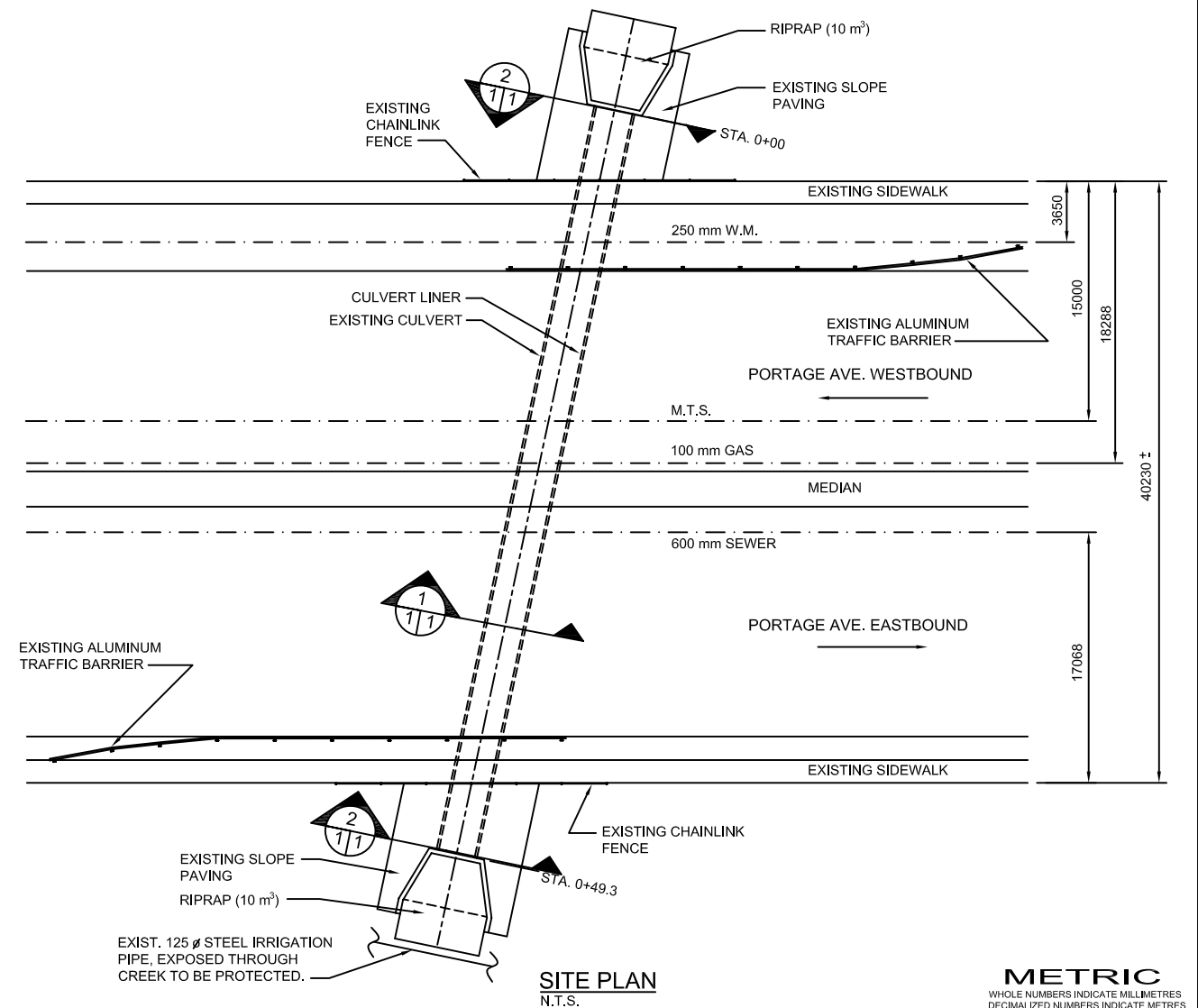
SECTION 2
N.T.S.



SECTION 3
N.T.S.



SECTION 1
N.T.S.



SITE PLAN
N.T.S.

METRIC
WHOLE NUMBERS INDICATE MILLIMETRES
DECIMALIZED NUMBERS INDICATE METRES

LOCATION APPROVED UNDERGROUND STRUCTURES	
SUPR. U/G STRUCTURES	DATE
NOTE: LOCATION OF UNDERGROUND STRUCTURES AS SHOWN ARE BASED ON THE BEST INFORMATION AVAILABLE BUT NO GUARANTEE IS GIVEN THAT THE GIVEN LOCATIONS ARE EXACT. CONFIRMATION OF EXISTENCE AND EXACT LOCATION OF ALL SERVICES MUST BE OBTAINED FROM THE INDIVIDUAL UTILITIES BEFORE PROCEEDING WITH CONSTRUCTION.	

NO.	REVISION	DATE	BY
1	ISSUED FOR ADDENDUM	02/12/10	M.T.
0	ISSUED FOR TENDER	25/11/10	M.T.

DESIGNED BY:	D.N.B.
DRAWN BY:	M.R.T.
CHECKED BY:	D.N.B.
APPROVED BY:	D.N.B.
AUTHORIZED BY:	
ORIGINAL SIGNED BY D.N. BURMEY D.N. BURMEY BRIDGE MAINTENANCE ENGINEER	

ENGINEER'S SEAL

 BID OPPORTUNITY NO.:
882-2010

CITY OF WINNIPEG
PUBLIC WORKS DEPARTMENT
ENGINEERING DIVISION

PORTAGE AVENUE AT TRURO CREEK
CULVERT RELINING

PLANS, ELEVATIONS & SECTIONS

SHEET **1** OF **2**
 HORIZONTAL: N.T.S.
 VERTICAL: N.T.S.
 CITY DRAWING NUMBER:
C307-10-01