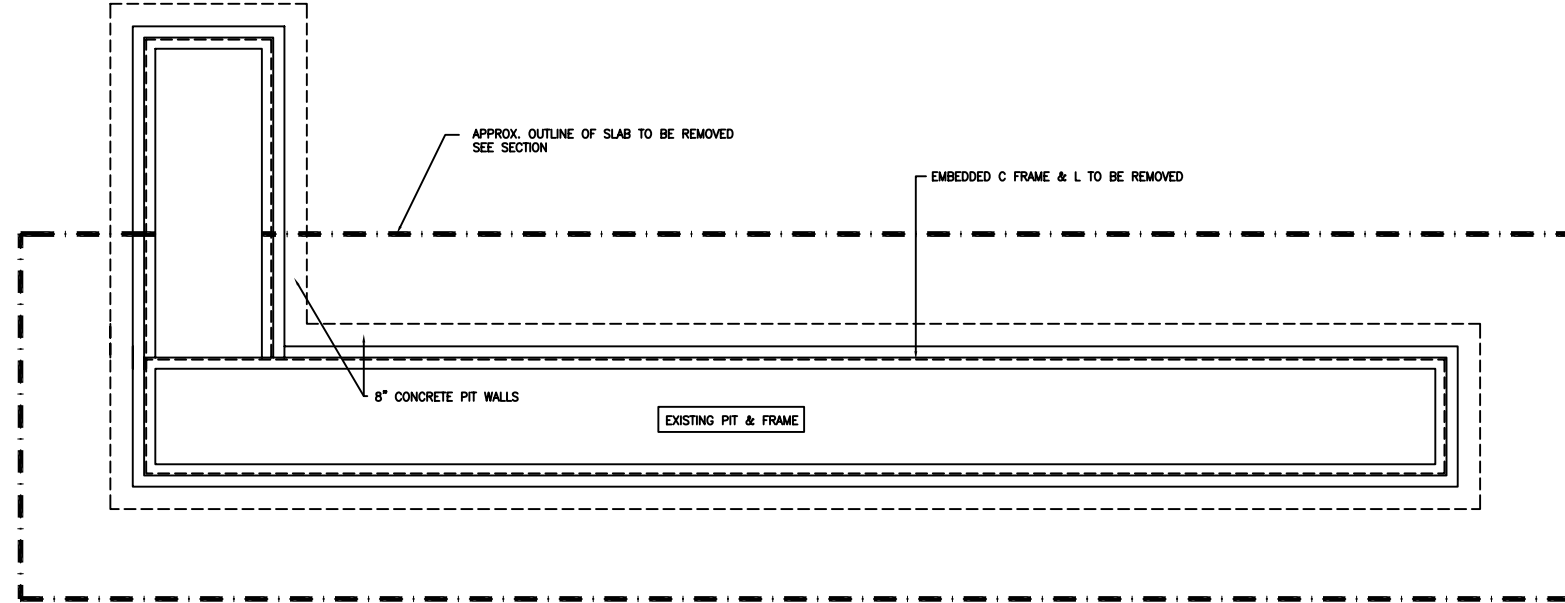
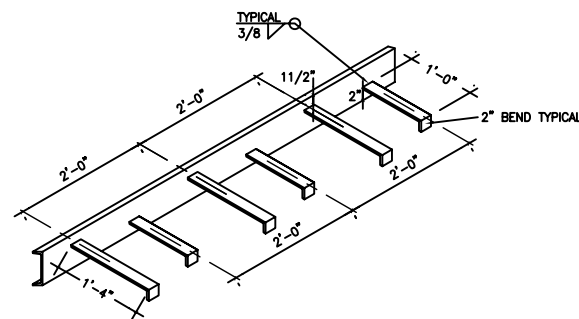


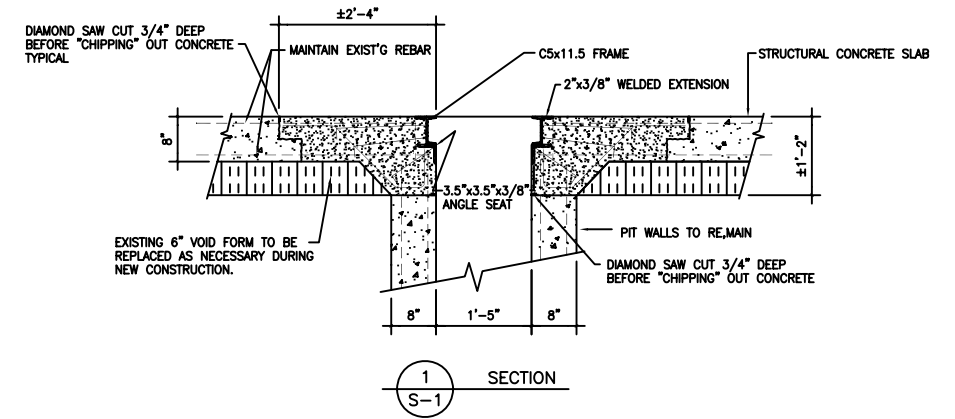
PLAN OF TYPICAL EXISTING PIT
Scale: 3/4" = 1'-0"



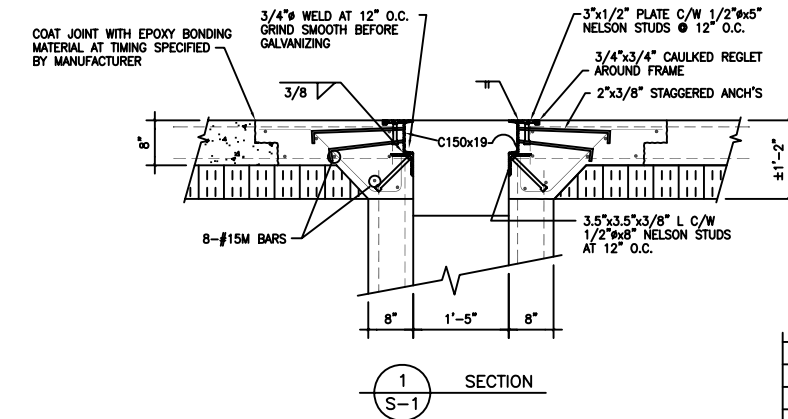
PLAN OF PROPOSED PIT
Scale: 3/4" = 1'-0"



DETAILS OF TYPICAL FRAME ANCHORS



CROSS SECTION SHOWING EXISTING FRAMING TO BE REMOVED
Scale: 3/4" = 1'-0"



CROSS SECTION SHOWING PROPOSED FRAMING
Scale: 3/4" = 1'-0"

NO.	DESCRIPTION	DATE	BY

REVISIONS (READ UP)

ALL DRAWINGS AND SPECIFICATIONS ARE THE PROPERTY OF THE ENGINEER.
NO REPRODUCTIONS MAY BE MADE WITHOUT THE CONSENT OF THE ENGINEER AND ALL REPRODUCTIONS MUST BEAR THE NAME OF THE ENGINEER.
THE GENERAL CONTRACTOR SHALL VERIFY ALL DIMENSIONS, DATUMS, AND LEVELS NOTED ON THE DRAWINGS WITH CONDITIONS ON SITE, AND SHALL BE RESPONSIBLE FOR REPORTING ANY ERRORS OR OMISSIONS TO THE ENGINEER FOR ADJUSTMENT.
THIS DRAWING SHALL NOT BE SCALED.

A. F. ESHMADE & ASSOCIATES LTD.
CIVIL & STRUCTURAL ENGINEERING CONSULTANTS
650 - 125 GARRY STREET WINNIPEG, MAN. R3C 3P2
TEL.(204) 942 0039 FAX. (204) 956 0284

CONSULTANT

ARCHITECT

ENGINEER

PROJECT
CITY OF WINNIPEG TRANSIT
421 OSBORNE STREET
WINNIPEG, MANITOBA

SHEET TITLE
DETAILS OF PROPOSED
REPLACEMENT PIT FRAMES

DRAWN BY t.e.	DATE 02/11/12	SHEET NO. S-1
CHECKED BY A.F.E.	FILE NO. 125.12	