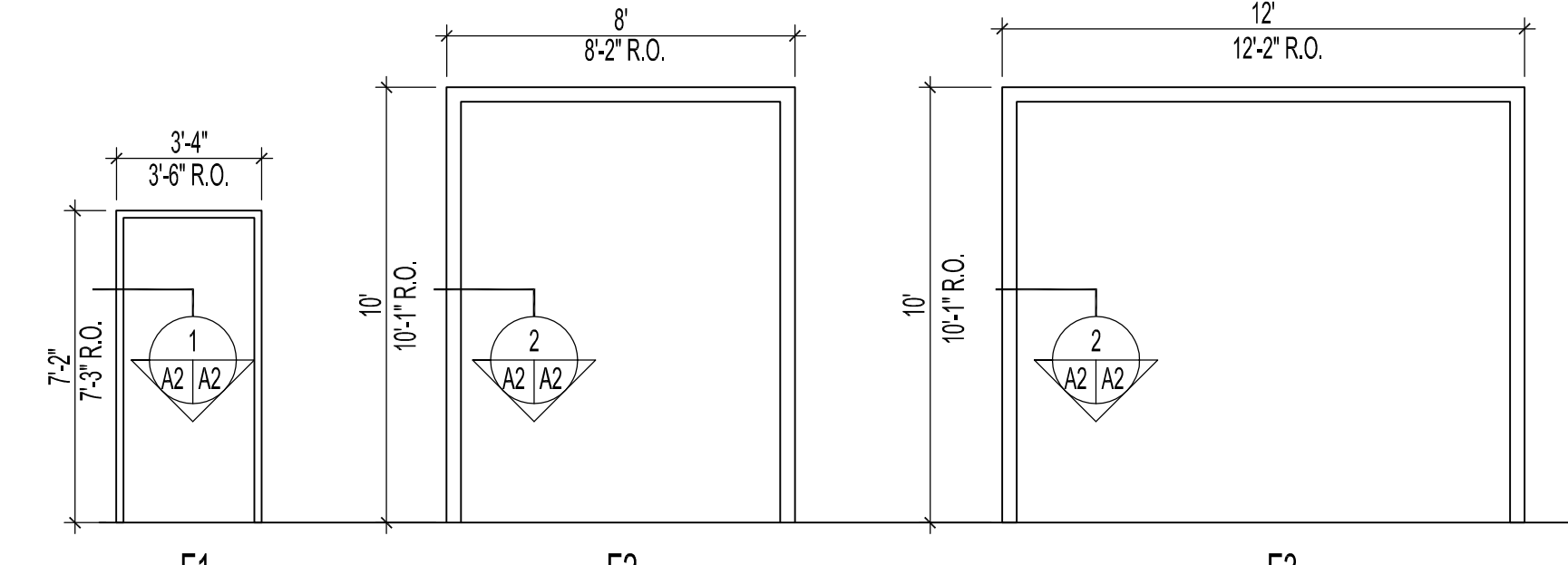


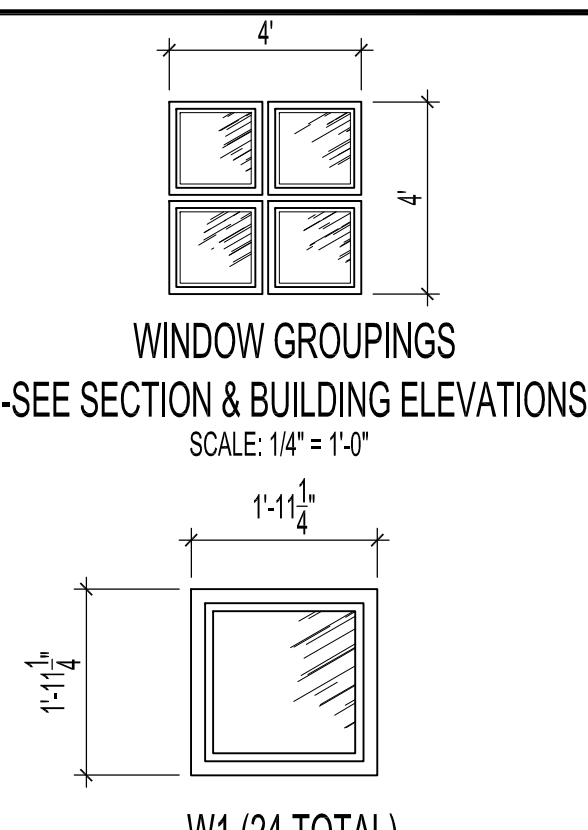
D1 HOLLOW METAL, HOLLOW CORE DOOR W/ PAINT FINISH
D2 OVERHEAD DOOR W/ PRE-FINISHED METAL (STANDARD PAINT GRADE WHITE) MANUAL OPERATION
D3 OVERHEAD DOOR W/ PRE-FINISHED METAL (STANDARD PAINT GRADE WHITE) MANUAL OPERATION

DOOR TYPES SCALE: 1/4" = 1'-0"



F1 PRESSED STEEL METAL DOOR FRAME, KNOCK DOWN W/ PAINT FINISH
F2 OVERHEAD DOOR FRAME W/ PRE-FINISHED METAL (STANDARD PAINT GRADE WHITE)
F3 OVERHEAD DOOR FRAME W/ PRE-FINISHED METAL (STANDARD PAINT GRADE WHITE)

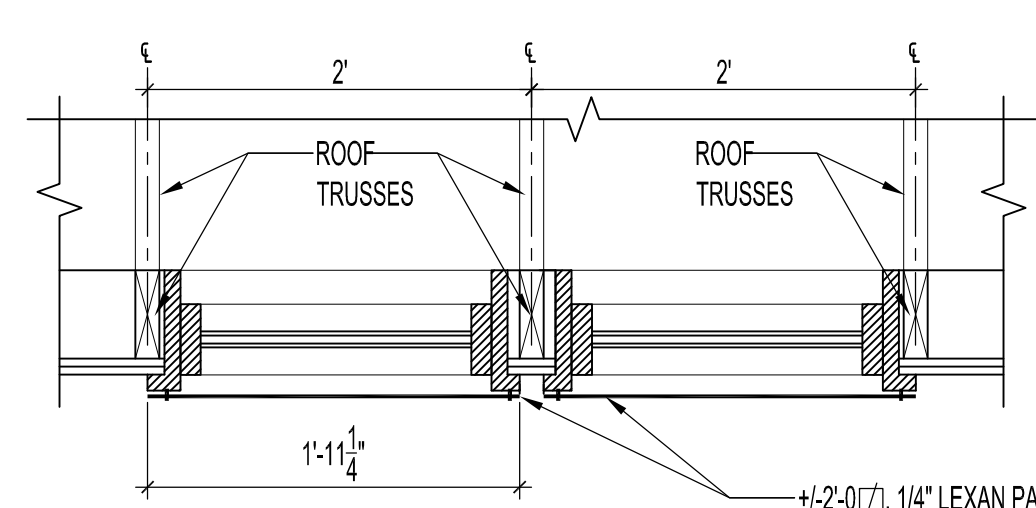
FRAME TYPES SCALE: 1/4" = 1'-0"



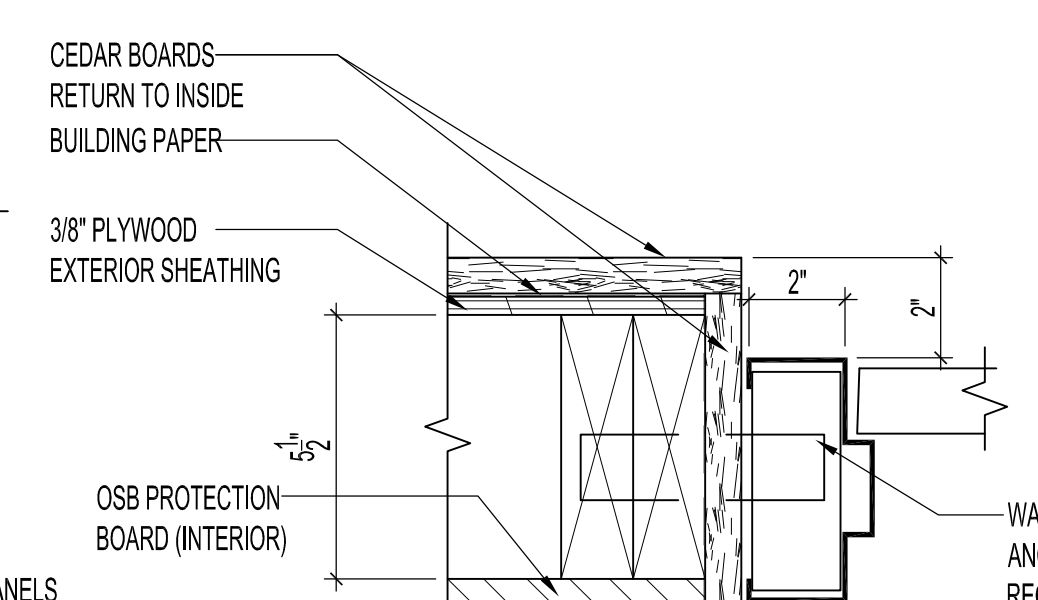
W1 (24 TOTAL) ALL WEATHER WINDOWS, APEX ALLOY 9900 SERIES FIX SASH DUAL PANE ALUMINIUM CLASP PVC "CHARCOAL" COLOUR FINISH
WINDOW TYPES SCALE: 1/2" = 1'-0"

DOOR NO.	DOOR TYPE	DOOR			FRAME			DOOR HARDWARE	NOTES		
		WIDTH	HEIGHT	THICK.	MATL.	FINISH	TYPE			MATL.	FINISH
D101A	D1	3'-0"	7'-0"	1 3/4"	H.M.	PT.	F1	P.S.	PT.	1 1/2 PR. GALVANIZED HINGES TA714, LOCKSET W/ LEVER HANDLE CL3657 NZD X CL7, CYLINDER LOCK 1E-74-C181, LATCH GUARD, CLOSER 7500, WEATHERSTRIPPING W29, THRESHOLD CT-32	PAINT DOORS & FRAMES, O/H PANELS TO MATCH EXISTING METAL ROOF COLOUR "CHARCOAL"
D101B	D2	8'-0"	10'-0"	2"	AL.	P.M.	F2	ST.	PT.	INSULATED METAL DOOR & HARDWARE BY SUPPLIER, MANUAL DOOR OPERATOR & ACCESSORIES	
D102A	D1	3'-0"	7'-0"	1 3/4"	H.M.	PT.	F1	P.S.	PT.	1 1/2 PR. GALVANIZED HINGES TA714, LOCKSET W/ LEVER HANDLE CL3657 NZD X CL7, CYLINDER LOCK 1E-74-C181, LATCH GUARD, CLOSER 7500, WEATHERSTRIPPING W29, THRESHOLD CT-32	
D102B	D3	12'-0"	10'-0"	2"	AL.	P.M.	F3	ST.	PT.	INSULATED METAL DOOR & HARDWARE BY SUPPLIER, MANUAL DOOR OPERATOR & ACCESSORIES	
D102C	D3	12'-0"	10'-0"	2"	AL.	P.M.	F3	ST.	PT.	INSULATED METAL DOOR & HARDWARE BY SUPPLIER, MANUAL DOOR OPERATOR & ACCESSORIES	
D102D	D1	3'-0"	7'-0"	1 3/4"	H.M.	PT.	F1	P.S.	PT.	1 1/2 PR. GALVANIZED HINGES TA714, LOCKSET W/ LEVER HANDLE CL3657 NZD X CL7, CYLINDER LOCK 1E-74-C181, LATCH GUARD, CLOSER 7500, WEATHERSTRIPPING W29, THRESHOLD CT-32	
D103A	D1	3'-0"	7'-0"	1 3/4"	H.M.	PT.	F1	P.S.	PT.	1 1/2 PR. GALVANIZED HINGES TA714, LOCKSET W/ LEVER HANDLE CL3657 NZD X CL7, CYLINDER LOCK 1E-74-C181, LATCH GUARD, CLOSER 7500, WEATHERSTRIPPING W29, THRESHOLD CT-32	
D103B	D2	8'-0"	10'-0"	2"	AL.	P.M.	F2	ST.	PT.	INSULATED METAL DOOR & HARDWARE BY SUPPLIER, MANUAL DOOR OPERATOR & ACCESSORIES	

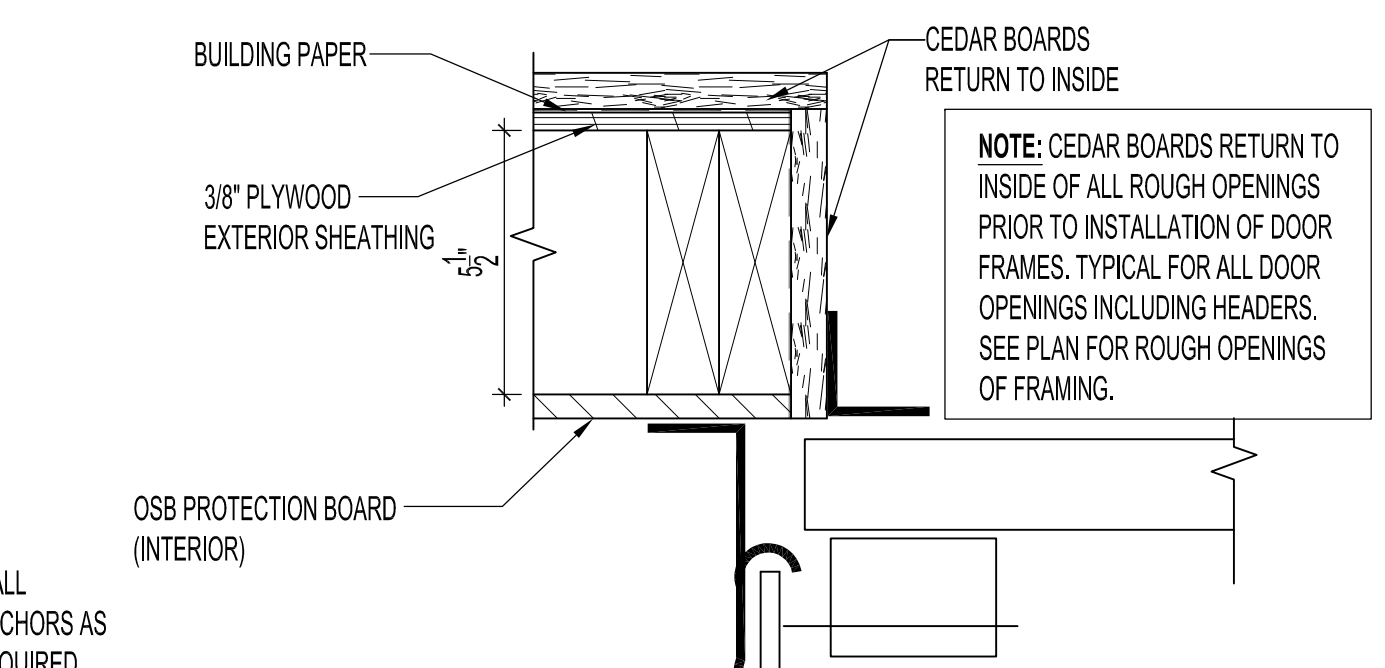
AL - ALUMINIUM H.M. - HOLLOW METAL P.M. - PRE-FINISHED METAL P.S. - PRESSED STEEL PT. - PAINT



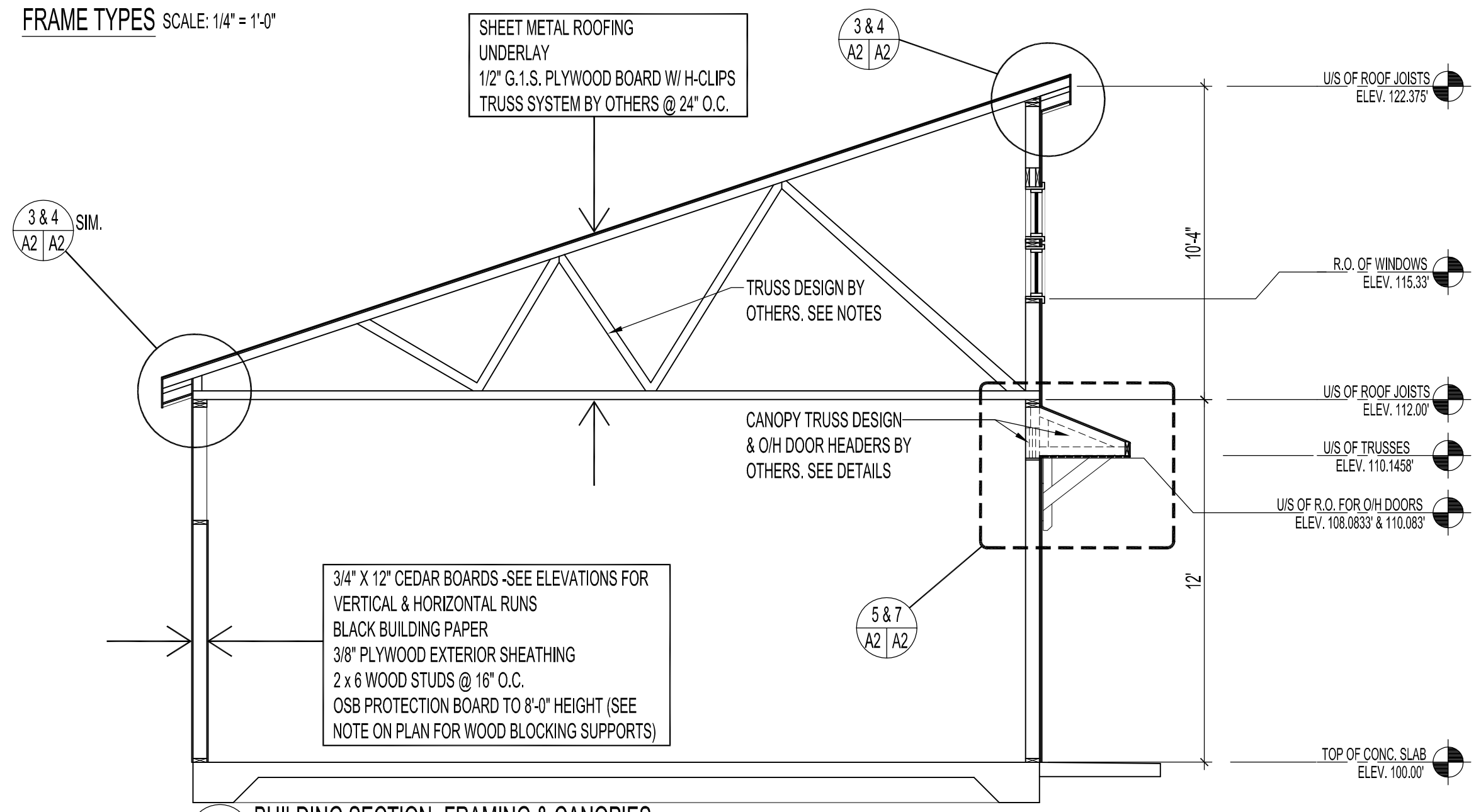
9 WINDOW SECTION (HORIZONTAL) SCALE: 1/2" = 1'-0"



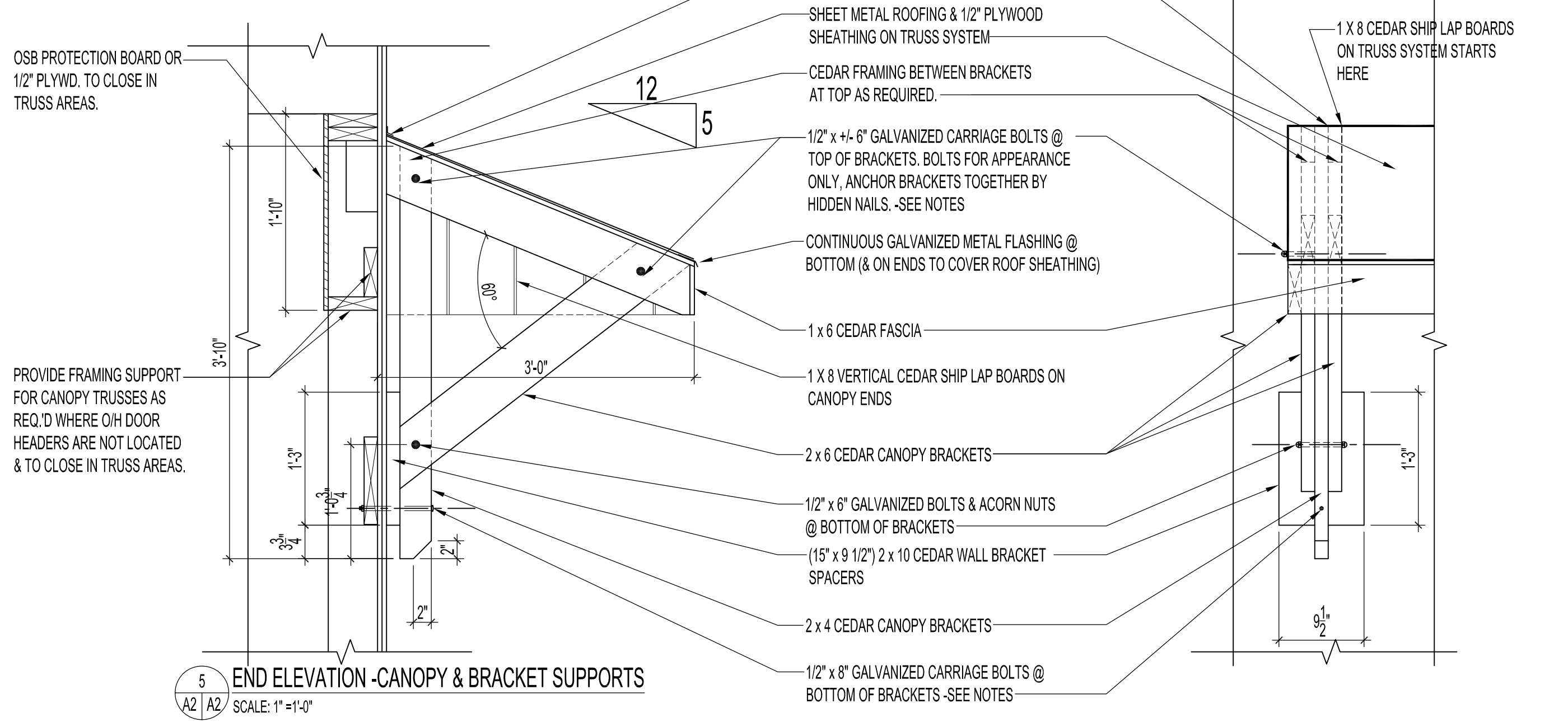
1 MAN DOOR JAMB DETAIL SCALE: 3" = 1'-0"



2 OVERHEAD DOOR JAMB DETAIL SCALE: 3" = 1'-0"

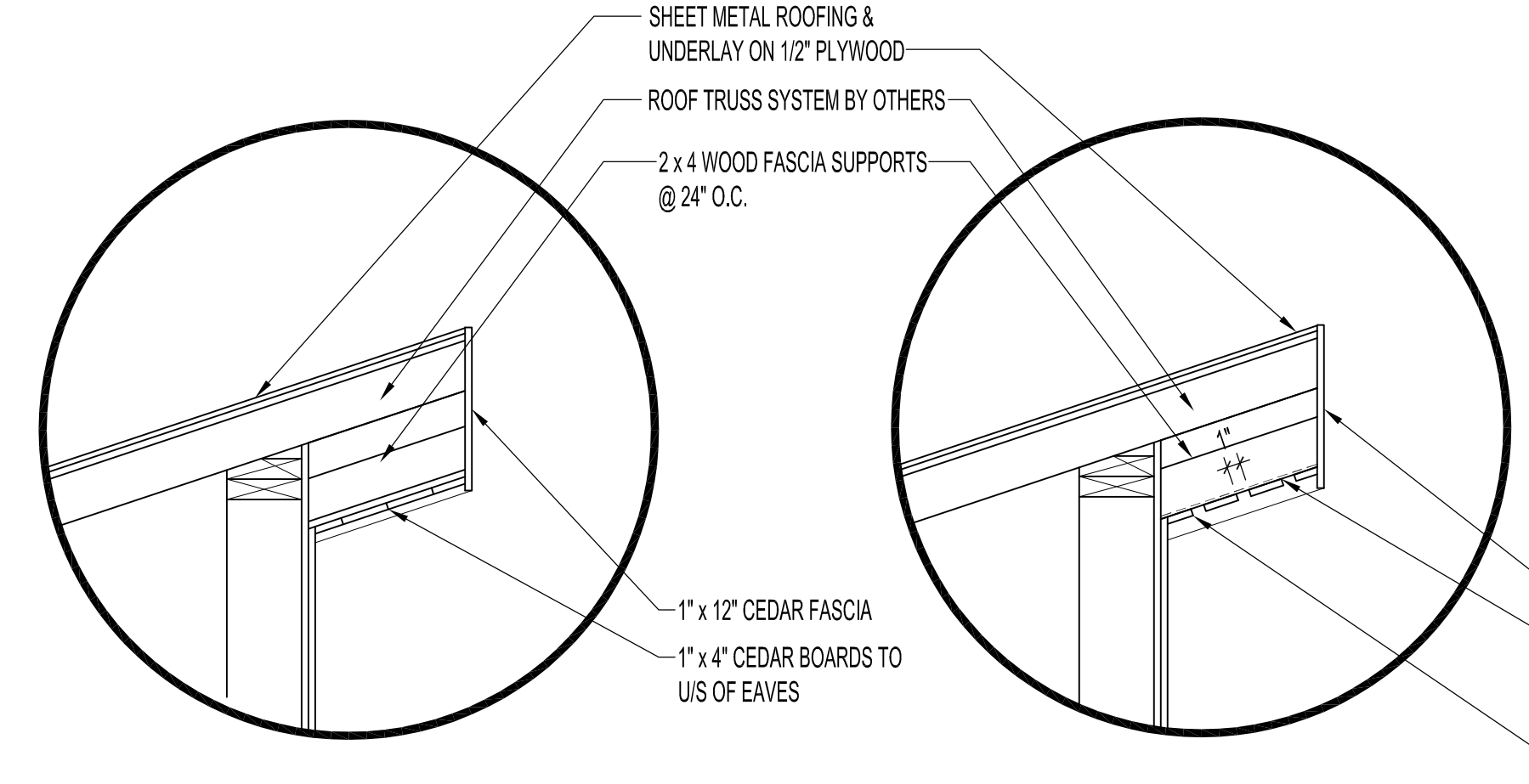


8 BUILDING SECTION - FRAMING & CANOPIES SCALE: 1/4" = 1'-0"



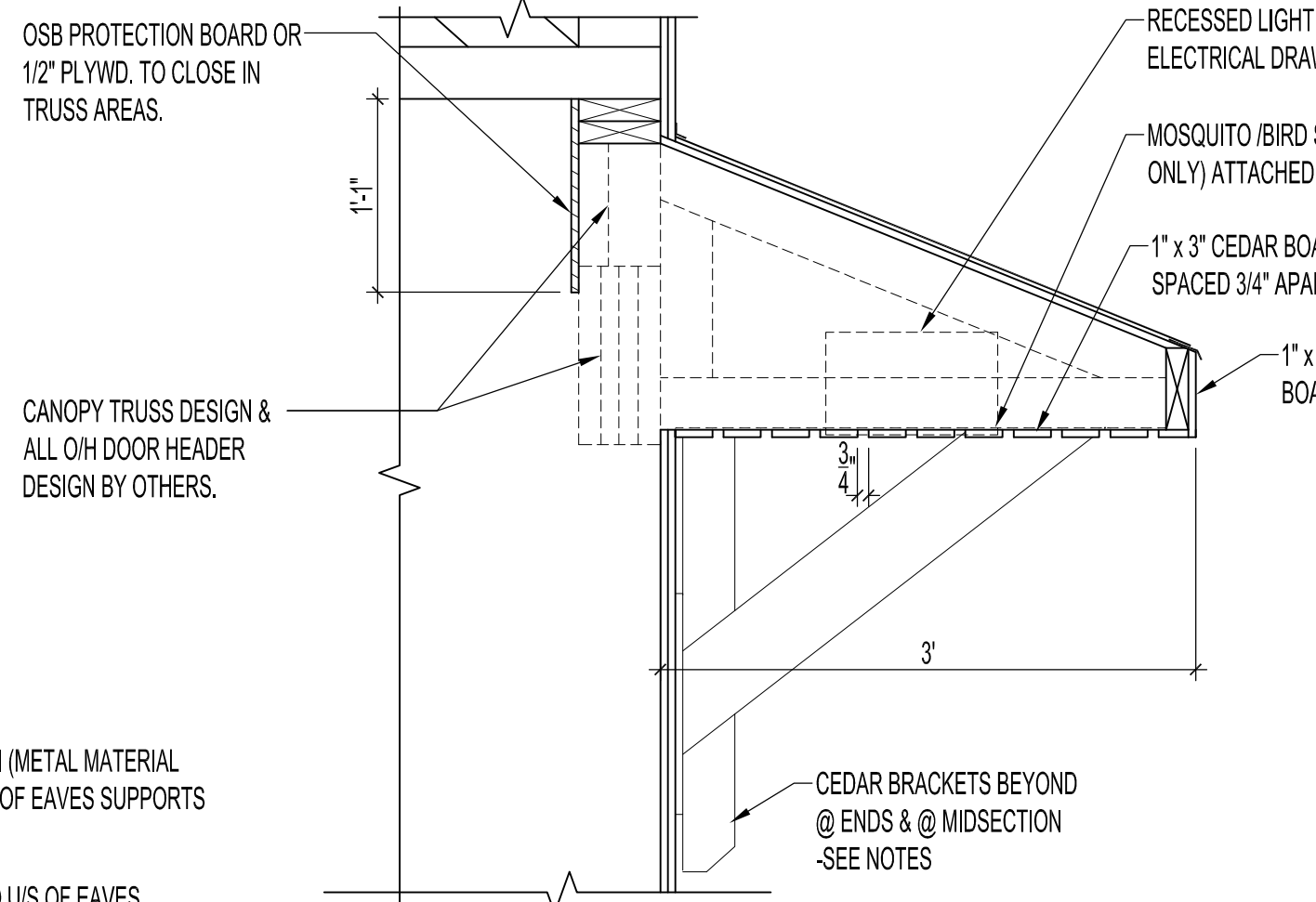
5 END ELEVATION - CANOPY & BRACKET SUPPORTS SCALE: 1/4" = 1'-0"

6 DETAIL - CANOPY BRACKETS SCALE: 1" = 1'-0"

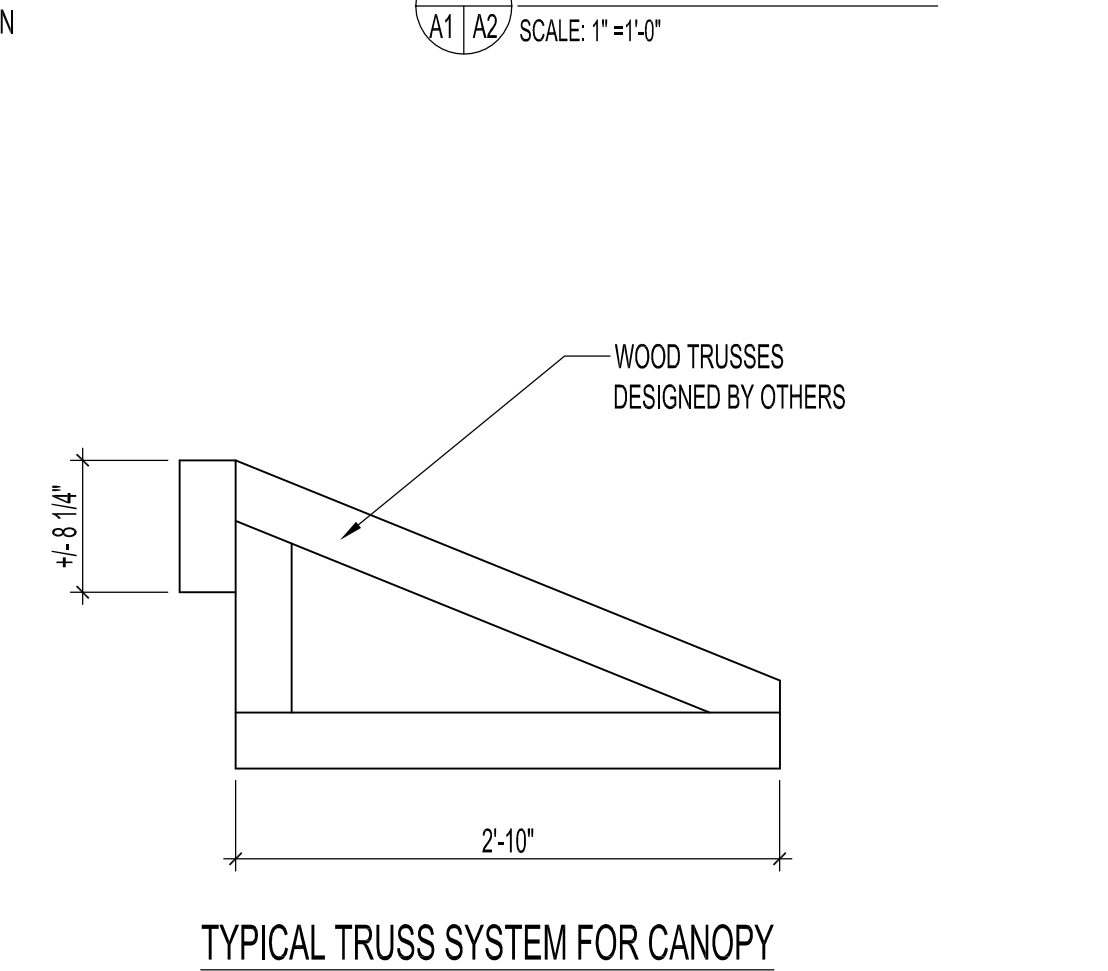


3 DETAIL - NORTH EAVE (SOUTH EAVE SIMILAR) SCALE: 1" = 1'-0"

4 DETAIL - NORTH EAVE (SOUTH EAVE SIMILAR) SCALE: 1" = 1'-0"



7 SECTION - TRUSS ANCHORING & U/S FINISHES SCALE: 1" = 1'-0"



TYPICAL TRUSS SYSTEM FOR CANOPY SCALE: 1" = 1'-0"

NOTES:
 SEE NOTES ON DWG. A1 FOR ALL MATERIALS, FINISHES & MISC. SPECIFICATIONS

ORIGINAL STAMPED BY: R.K. FOK LI Arch.
 DATE: 2012.03.09

No.	REVISION/DESCRIPTION	BY	DATE
SEAL			

DRAWN	MWK	CHECKED	DESIGNED	RLI	APPROVED
DATE	2012.03.05	USER	APPROVAL		

THE CITY OF WINNIPEG
 PLANNING, PROPERTY AND DEVELOPMENT DEPARTMENT
 MUNICIPAL ACCOMMODATIONS DIVISION
 3-65 GARRY STREET, R3C 4K4

PROJECT
WHITTIER PARK STORAGE BUILDING

838 RUE ST. JOSEPH

SHEET TITLE
DOOR SCHEDULE, DOOR & WINDOW TYPES FRAMING & CANOPY DETAILS

SCALE	PROJECT No:	SHEET No:
AS SHOWN	2010-031-01	A2