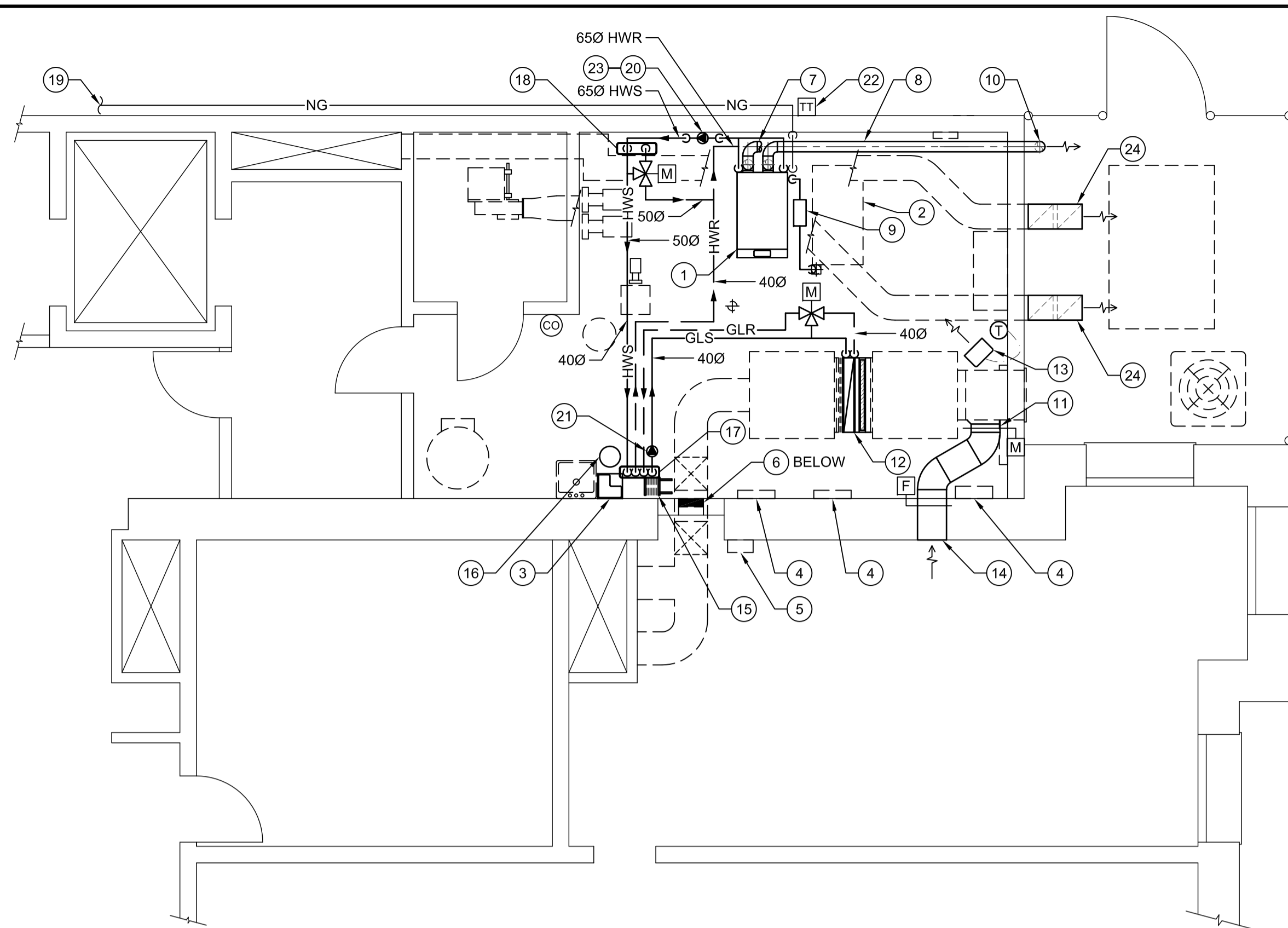
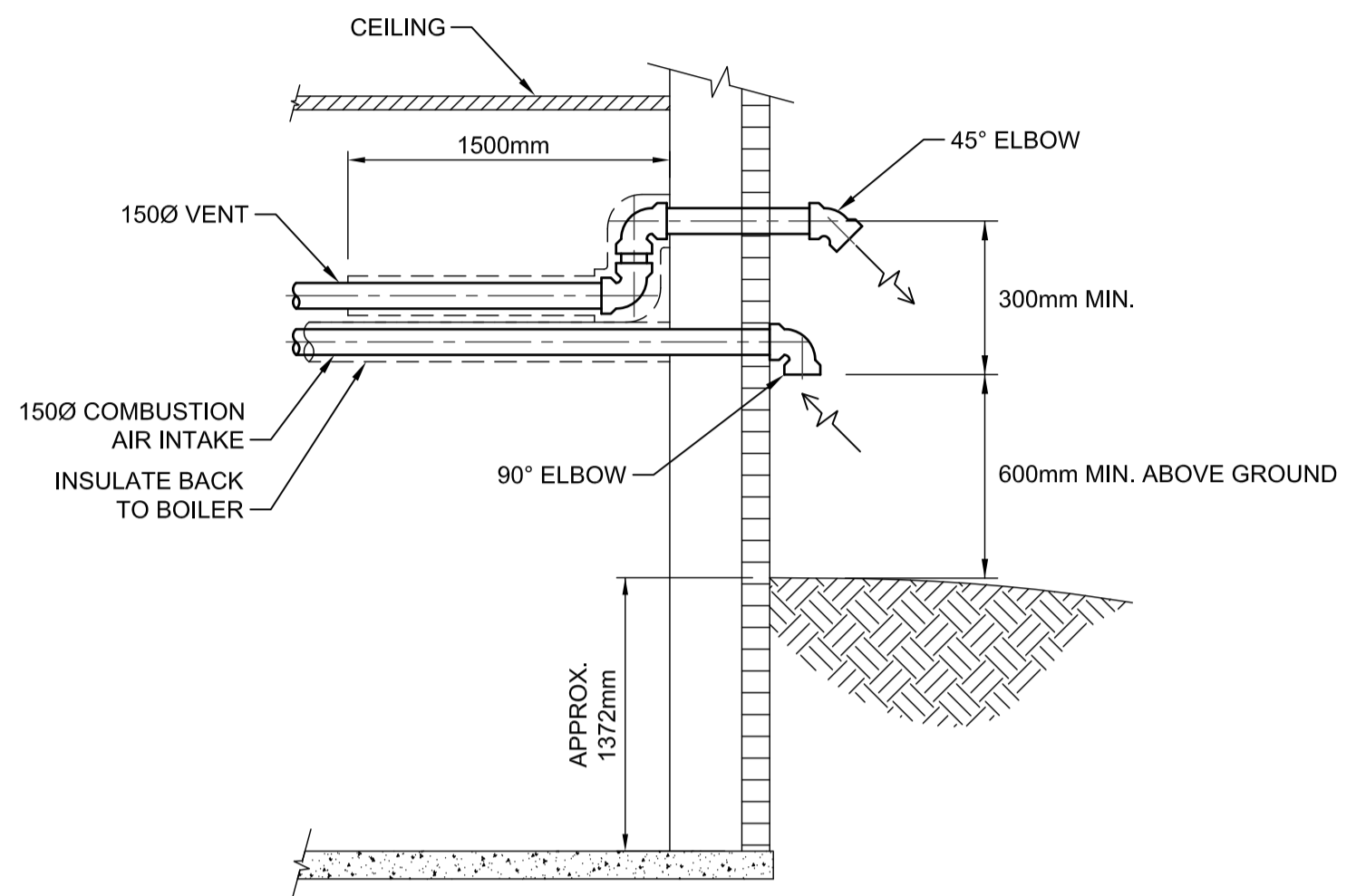


FILE NAME: 60280355-01-M-103-ROX.dwg  
 DATE: 2012.12.14  
 PROJECT No: 60280355  
 SHEET TITLE: PARTIAL BASEMENT FLOOR PLAN-HVAC  
 ADDRESS: 219 PROVENCHEUR BOULEVARD



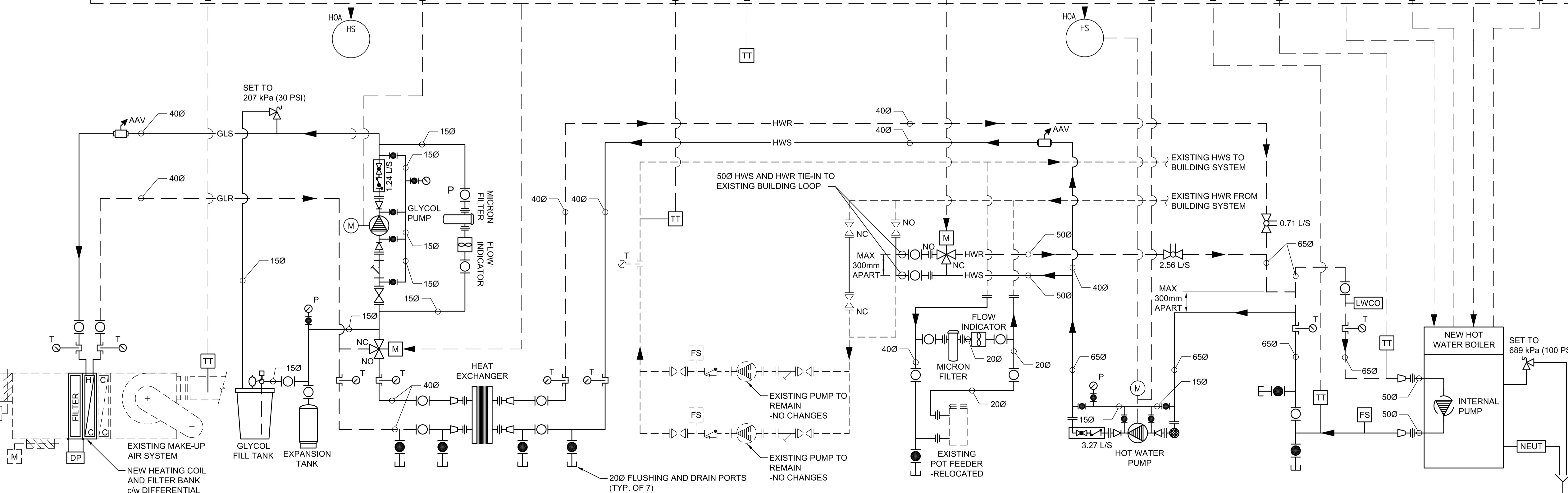
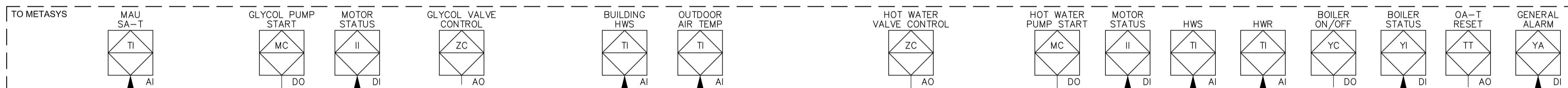
**PARTIAL BASEMENT FLOOR PLAN - HEATING LAYOUT - HIGH LEVEL**  
 Scale 1:50

**1 BOILER VENT AND COMBUSTION AIR INTAKE PIPING**  
 M-103 NTS



**DRAWING NOTES**

- 1 NEW GAS-FIRED BOILER.
- 2 RELOCATE EXISTING TANK 550mm TO THE EAST. SHORTEN REAR COPPER PIPE AS REQUIRED.
- 3 NEW GLYCOL FILL TANK. MOUNT ON WALL 1000 A.F.F.
- 4 EXISTING ELECTRICAL CONTROL PANELS.
- 5 TIE NEW CONTROL WORK TO EXISTING METASYS CONTROL PANELS.
- 6 COMPLETELY SEAL EXISTING RETURN AIR OPENING THROUGH WALL. MAINTAIN 2 HR. FIRE RATING.
- 7 Ø150 COMBUSTION AIR INTAKE.
- 8 Ø150 FLUE VENT RUNNING ABOVE COMBUSTION AIR INTAKE.
- 9 NEUTRALIZATION KIT. PIPE CONDENSATE TO DRAIN.
- 10 SIDEWALL VENT AND COMBUSTION AIR INTAKE TERMINATION. REFER TO DETAIL 1/M-103.
- 11 REINSTALL EXISTING RETURN AIR DAMPER AND ACTUATOR ON BACK SIDE OF EXISTING INTAKE PLENUM.
- 12 NEW GLYCOL HEATING COIL AND FILTER BANK. NEW PRE-FABRICATED 50mm DEEP FILTER RACK TO HOUSE 1-500x500x50mm FILTER AND 1-350x500x50mm FILTER. ACCESS TO FILTERS TO BE FROM BELOW. SHIFT MAKE-UP AIR UNIT FORWARD BY SHORTENING SUPPLY AIR DUCT AS REQUIRED TO SUPPLY SUFFICIENT SPACE FOR NEW HEATING COIL AND FILTER.
- 13 NEW ELECTRICAL UNIT HEATER. WIRE TO WALL THERMOSTAT. MOUNT THERMOSTAT 1500 A.F.F.
- 14 350x350 RETURN AIR DUCT c/w 2 HR. RATED FIRE DAMPER.
- 15 HEAT EXCHANGER MOUNTED ON FLOOR.
- 16 EXPANSION TANK MOUNTED MIN. 2000 A.F.F.
- 17 40Ø HWS, HWR, GLS AND GLR DOWN TO HEAT EXCHANGER.
- 18 50Ø HWS AND HWR DOWN TO TIE-IN TO EXISTING BUILDING LOOP.
- 19 RUN 50Ø GAS LINE ALONG EXTERIOR WALL FROM GAS METER TO NEW BOILER.
- 20 HOT WATER PUMP LOCATED AT EXISTING POT FEEDER LOCATION.
- 21 GLYCOL PUMP MOUNTED IN VERTICAL ORIENTATION ABOVE HEAT EXCHANGER.
- 22 WALL-MOUNTED TEMPERATURE TRANSMITTER FOR BOILER OAT RESET.
- 23 EXISTING POT FEEDER RELOCATED WEST CLOSER TO ROOM CORNER TO MAKE ROOM FOR HOT WATER PUMP.
- 24 EXTEND EXISTING EXHAUST DUCTS UP 900mm AND GOOSENECK DOWN AT 45° ANGLE. PROVIDE ADEQUATE WALL SUPPORTS.



**2 HYDRONIC HEATING SCHEMATIC**  
 M-103 NTS

NOTES:

**AECOM**

This drawing has been prepared for the use of AECOM's client and may not be used, reproduced or relied upon by third parties, except as agreed by AECOM and its client, as required by law or for use by governmental reviewing agencies. AECOM accepts no responsibility, and denies any liability whatsoever, to any party that modifies this drawing without AECOM's express written consent. Do not scale this document. All measurements must be obtained from stated dimensions.

No.	REVISION/DESCRIPTION	BY	DATE
0	ISSUED FOR TENDER	DL	2012.12.14

SEAL

DRAWN	DL	CHECKED	P.L.	DESIGNED	DC	APPROVED
DATE	2012.11.02	USER				

Winnipeg  
 THE CITY OF WINNIPEG  
 PLANNING, PROPERTY AND  
 DEVELOPMENT DEPARTMENT  
 MUNICIPAL ACCOMMODATIONS DIVISION  
 3-65 GARRY STREET, R3C 4K4

PROJECT  
 CIVIC OFFICES  
 NEW BOILER INSTALLATION  
 CITY BID OPP. NO: 886-2012  
 219 PROVENCHEUR BOULEVARD, WINNIPEG, MANITOBA

SHEET TITLE  
 MECHANICAL  
 PARTIAL BASEMENT FLOOR PLAN-HVAC  
 SCHEMATIC AND DETAIL

SCALE	PROJECT No:	SHEET No:
AS SHOWN	60280355	M-103

DRAWING SHEET SIZE: A1 (841mm x 594mm) PLOT 1:1