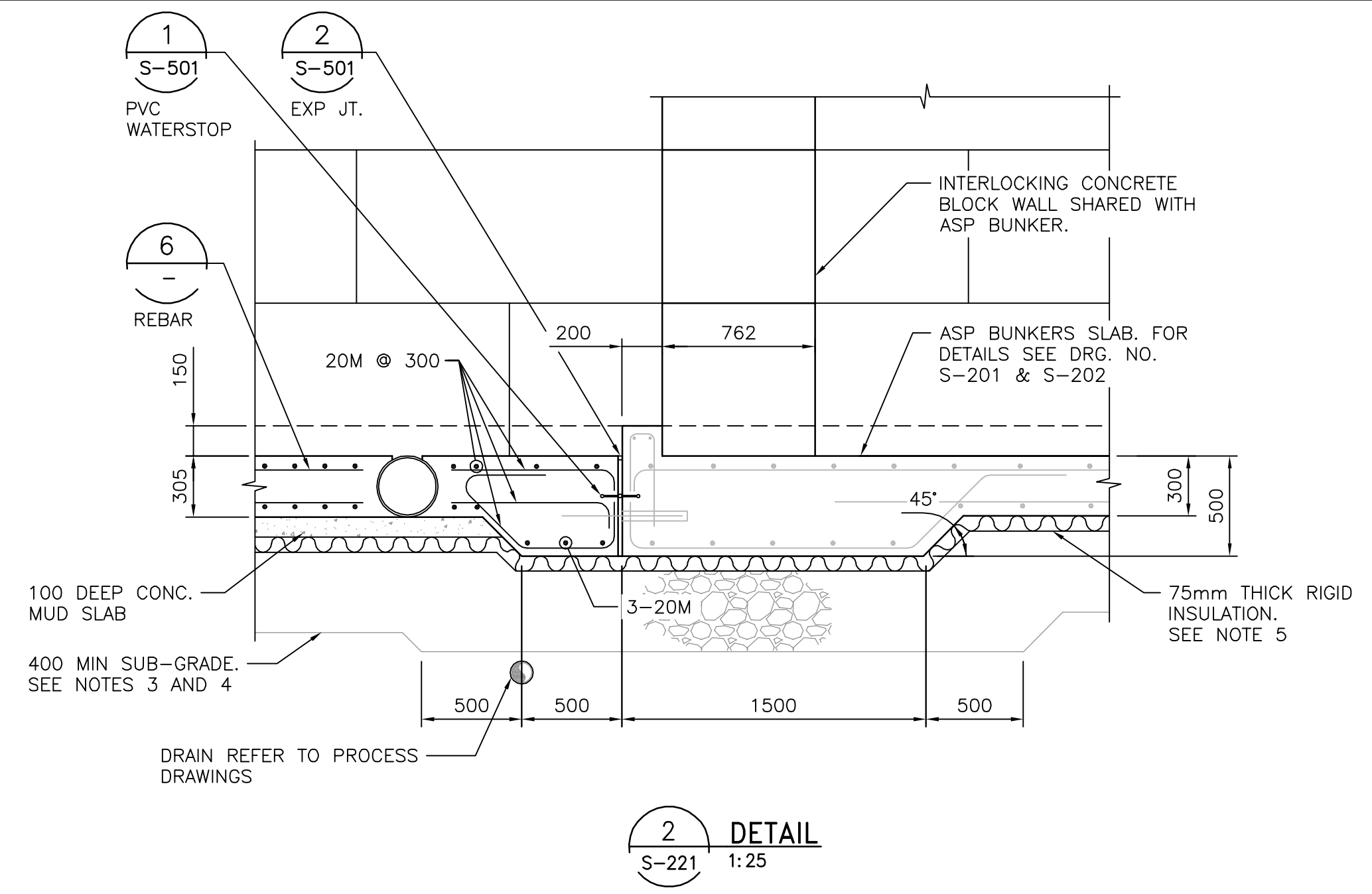
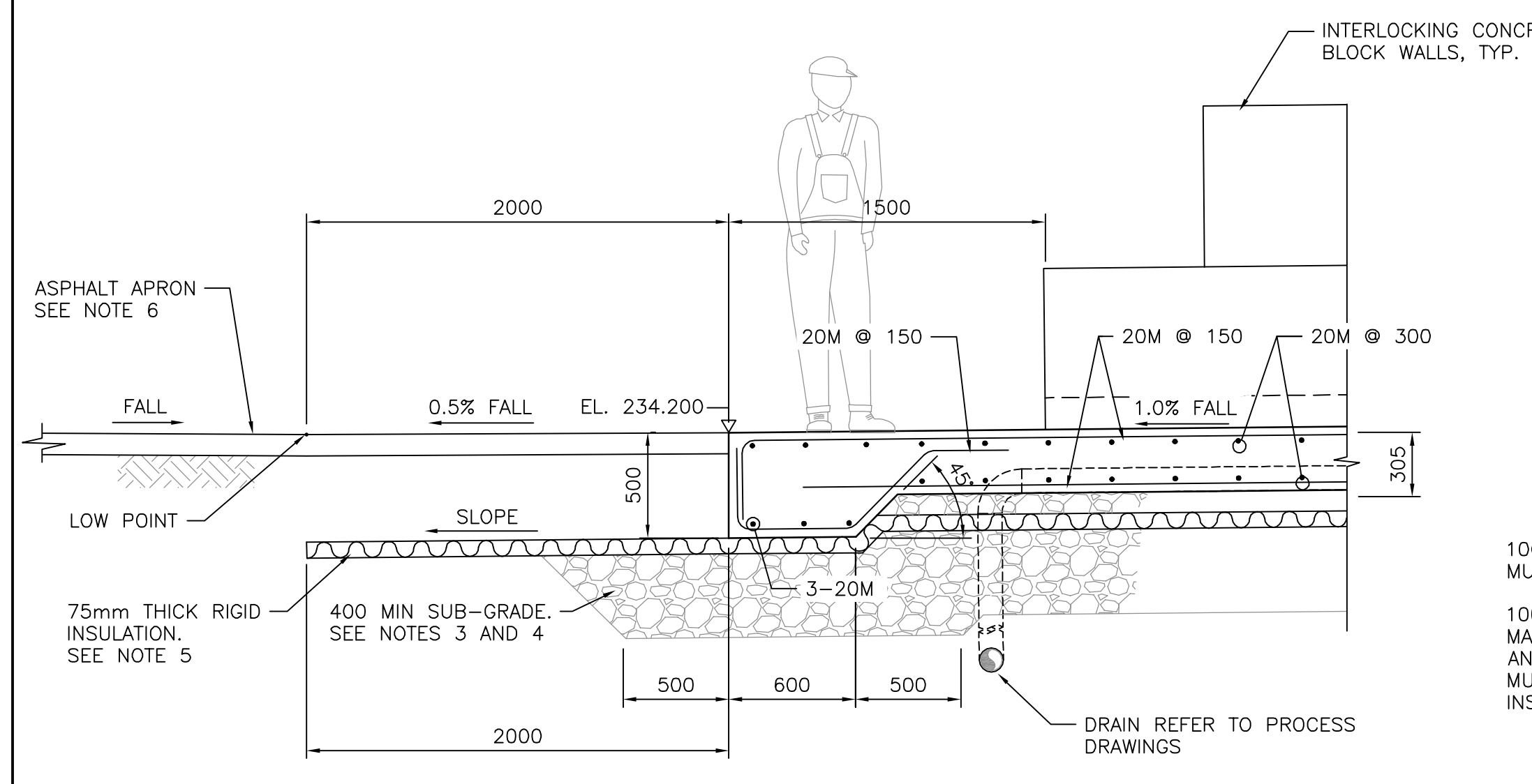


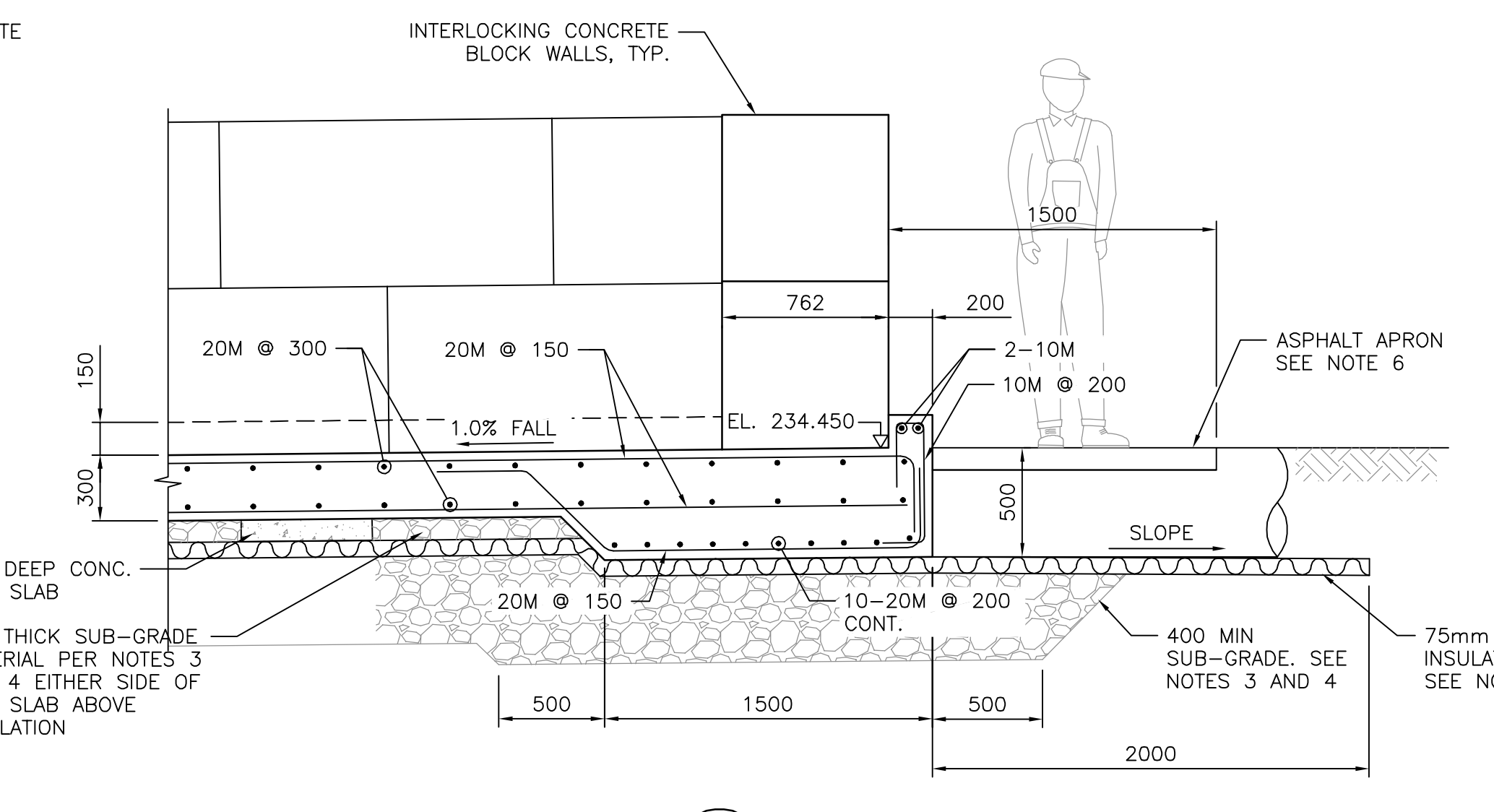
1 DETAIL
S-221 1:25



2 DETAIL
S-221 1:25

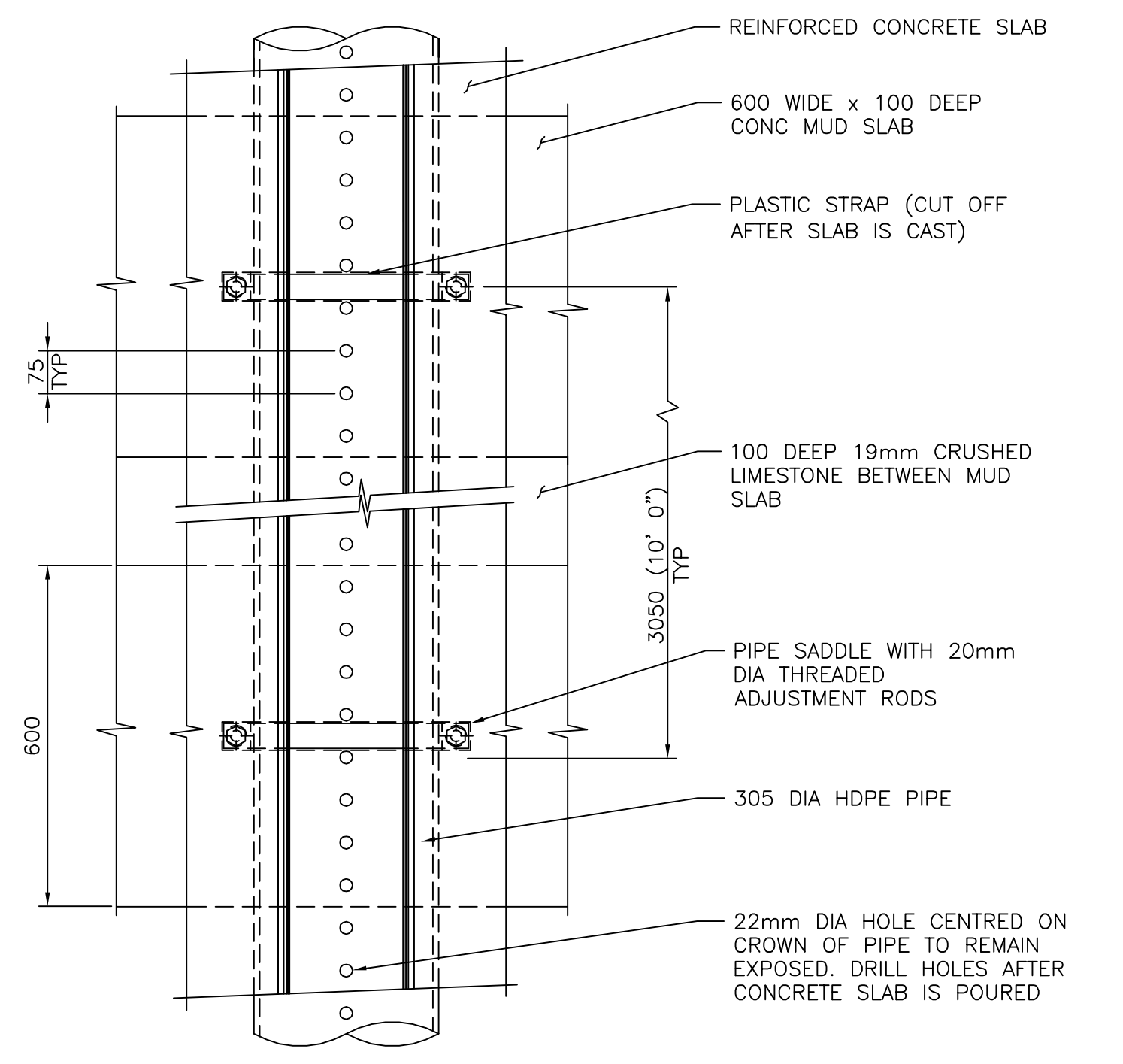


3 DETAIL
S-221 1:25

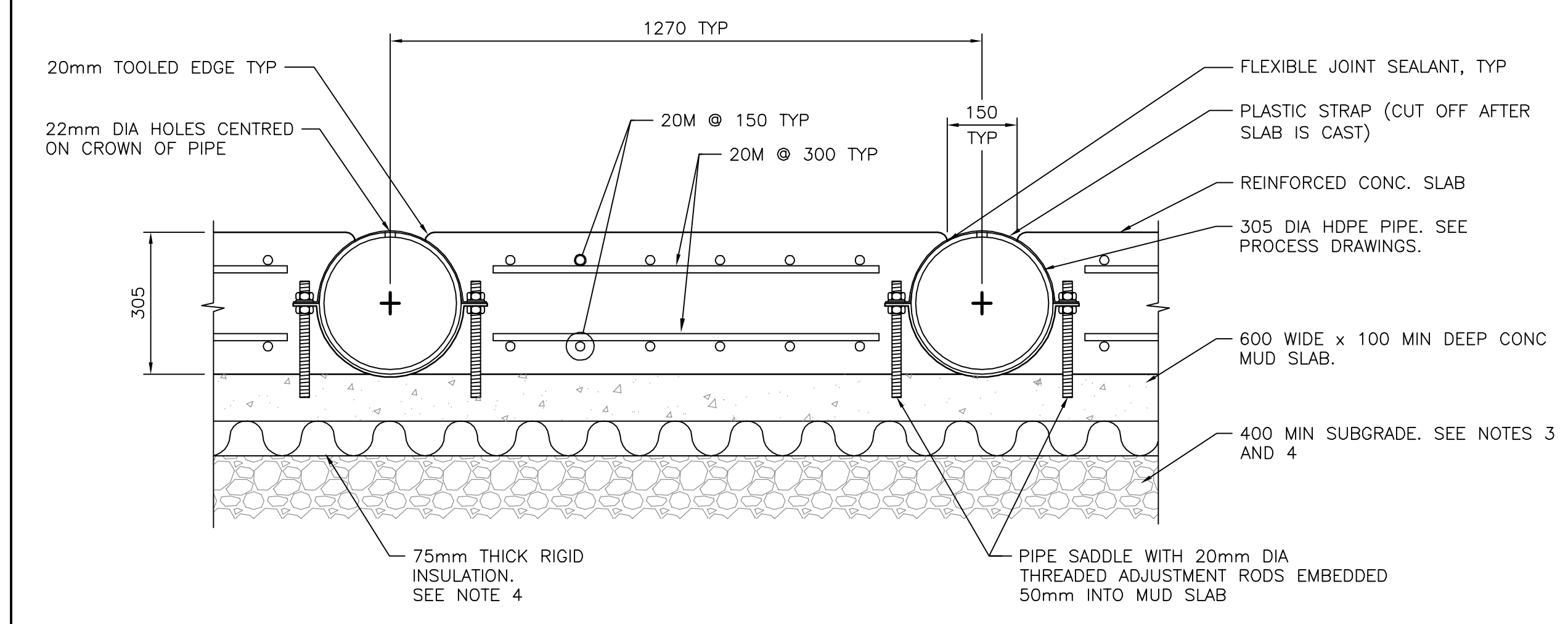


4 DETAIL
S-221 1:25

- NOTES:**
- ALL DIMENSIONS ARE IN MILLIMETRES UNLESS NOTED OTHERWISE.
 - REFER TO DRAWING NO. S-001 FOR GENERAL NOTES.
 - FOUNDATIONS SUBGRADE TO BE A MINIMUM OF 400mm THICK CRUSHED LIMESTONE (300mm OF 50mm UNDERLYING 100mm OF 19mm) COMPACTED TO 98% SPMD OVERLYING 98% SPMD COMPACTED CLAY MAXIMUM LIFTS OF 150mm.
 - PROVIDE SUBGRADE BEARING CAPACITY OF 150 kPa (SLS). CONTRACT ADMINISTRATOR TO CONFIRM PRIOR TO POURING FOUNDATIONS.
 - PROVIDE 75mm INSULATION UNDER ALL CONCRETE SLABS AND AROUND PERIMETER OF THICKENED EDGE AND AWAY FROM FOOTING 2000mm. PROVIDE SLIGHT SLOPE IN INSULATION TO AVOID PONDING OF WATER.
 - REFER TO CIVIL DRAWING C-205 FOR ASPHALT APRON ELEVATIONS, GRADES AND GENERAL SITE LAYOUT.
 - PROVIDE 50mm CLEAR COVER TO REINFORCEMENT.



5 DETAIL
S-221 1:10



6 DETAIL
S-221 1:10



B.M. ELEV.	
CONSTRUCTION COMPLETION DATE: YYYY MM DD	
DESIGNED BY	KS
CHECKED BY	RP
DRAWN BY	JK
APPROVED BY	BM
SCALE:	
HORIZONTAL	AS SHOWN
VERTICAL	AS SHOWN
DATE	2013 01 25
ISSUED FOR CONSTRUCTION	13/01/25 JK
NO.	REVISIONS
	DATE
	BY

CH2MHILL

ENGINEER'S SEAL

DESIGNED BY: KS, CHECKED BY: RP, DRAWN BY: JK, APPROVED BY: BM

SCALE: HORIZONTAL AS SHOWN, VERTICAL AS SHOWN

DATE: 2013 01 25

PLOT DATE: 2013 01 21

ENGINEER'S SEAL

PROVINCE OF MANITOBA

PARIKH Member 30474

CONSULTANT DRAWING NUMBER: S-222

THE CITY OF WINNIPEG

Winnipeg WATER AND WASTE DEPARTMENT ENGINEERING DIVISION

BRADY ROAD RESOURCE MANAGEMENT FACILITY

LEAF AND YARD WASTE AND PILOT BIOSOLIDS COMPOSTING

STRUCTURAL

BIOFILTER SECTIONS & DETAILS

SHEET 22 OF 45

CITY DRAWING NUMBER: 0-0400B-S0007-001-00