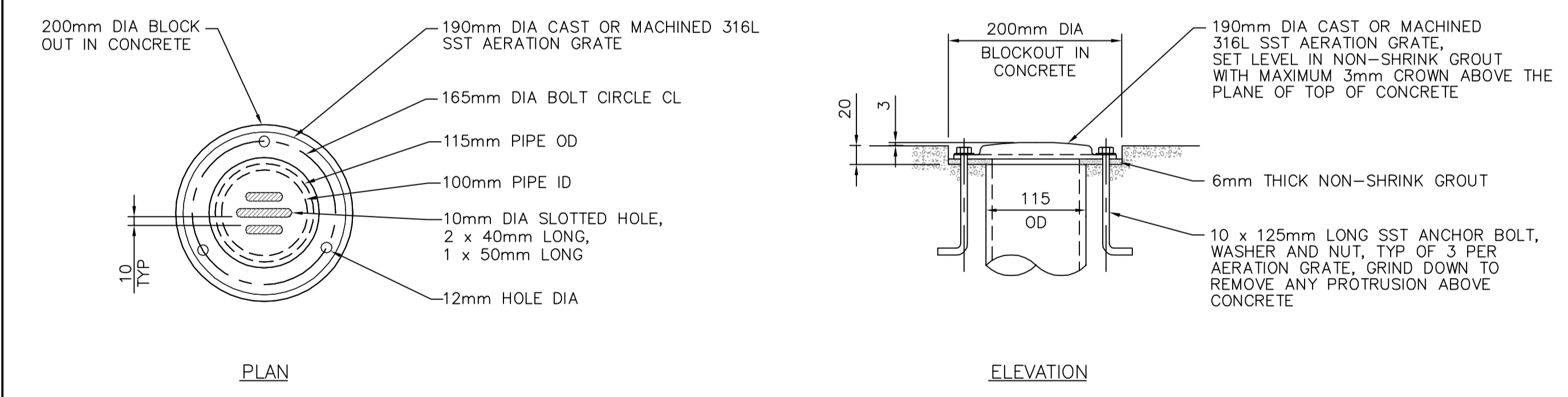
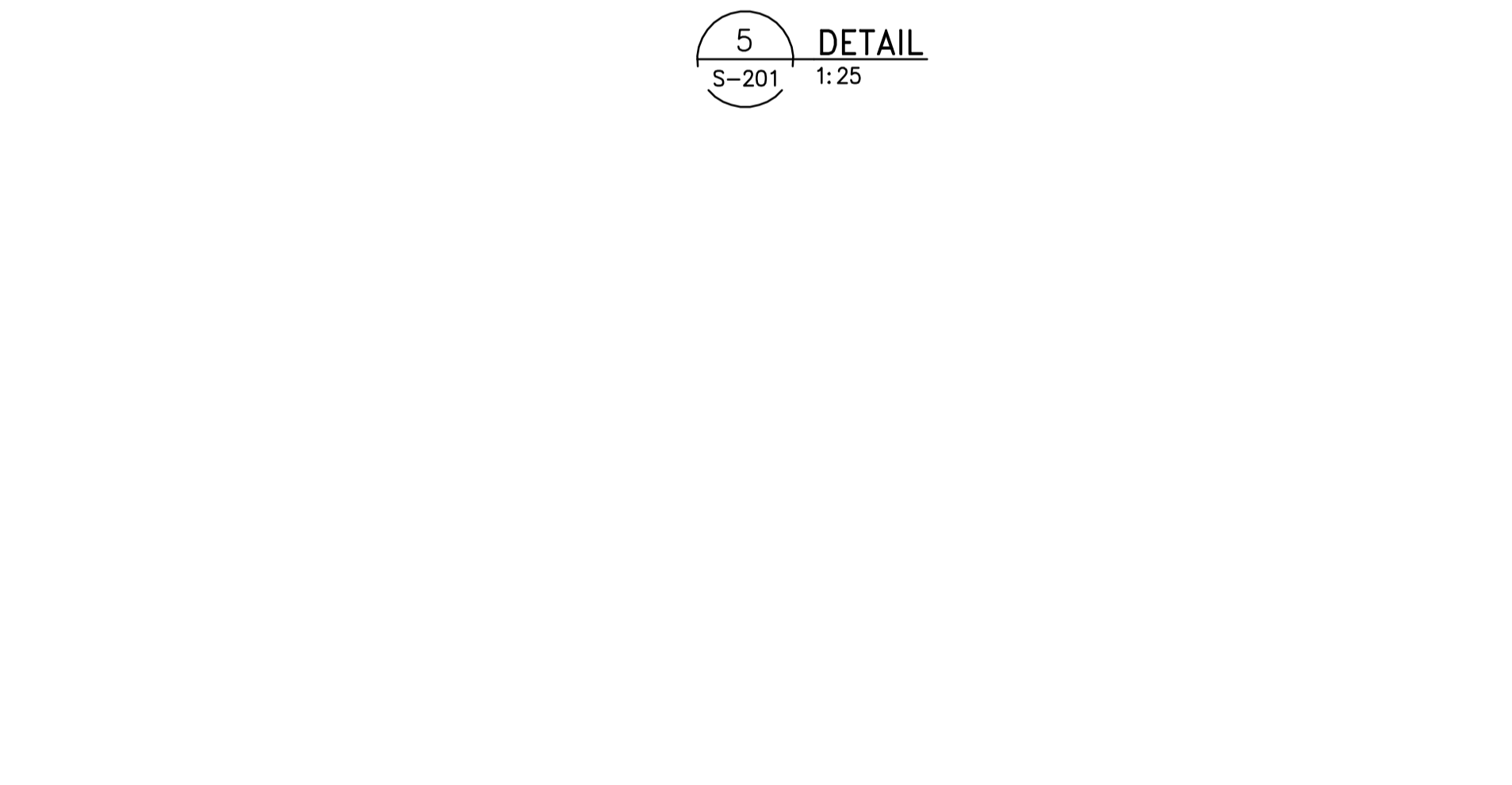
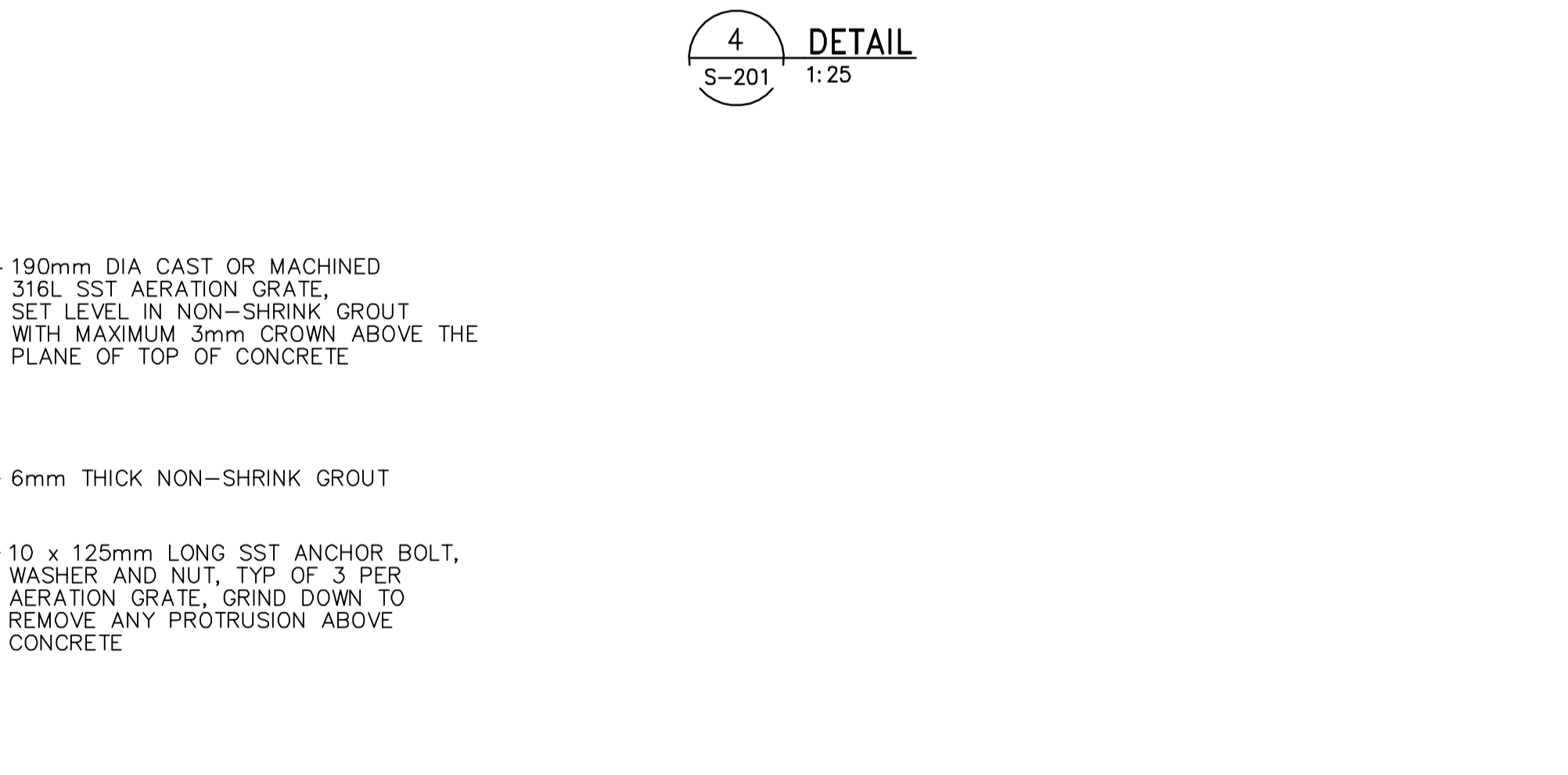
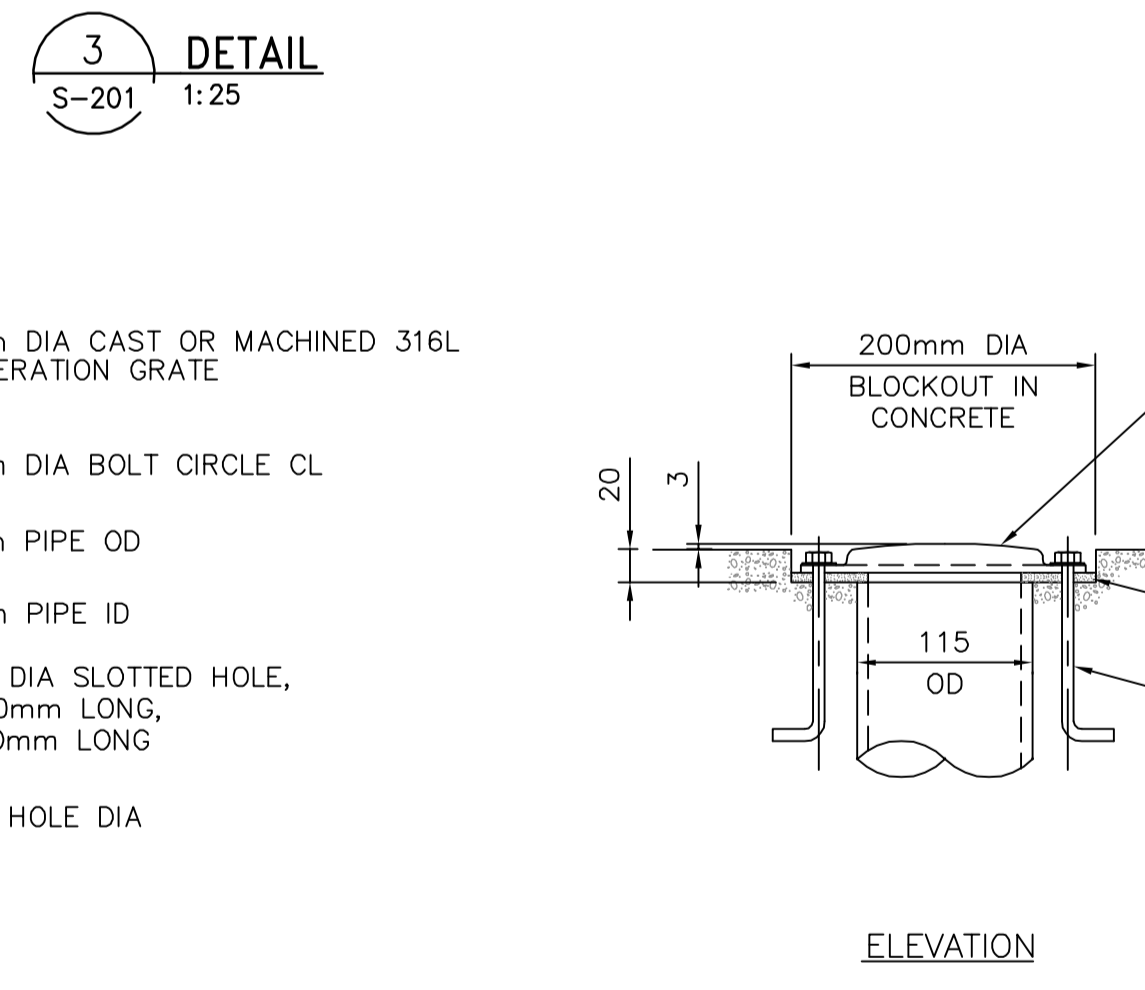
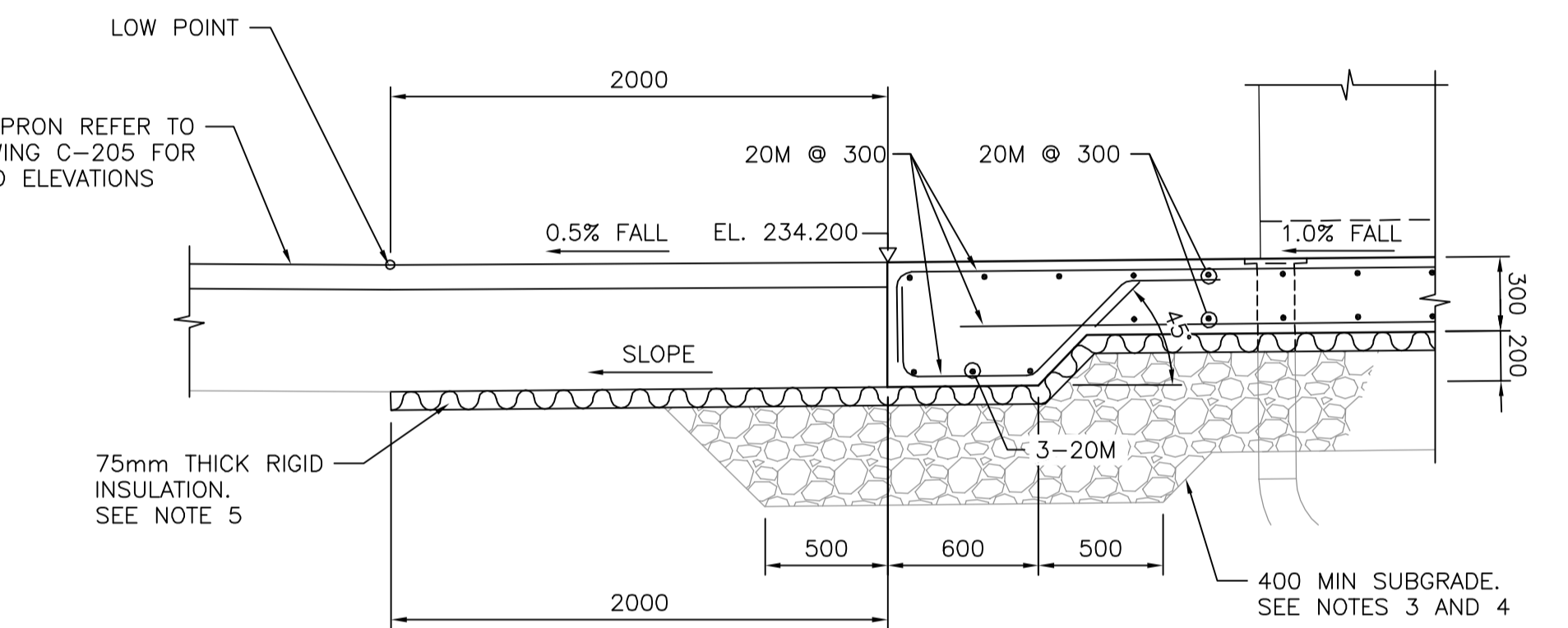
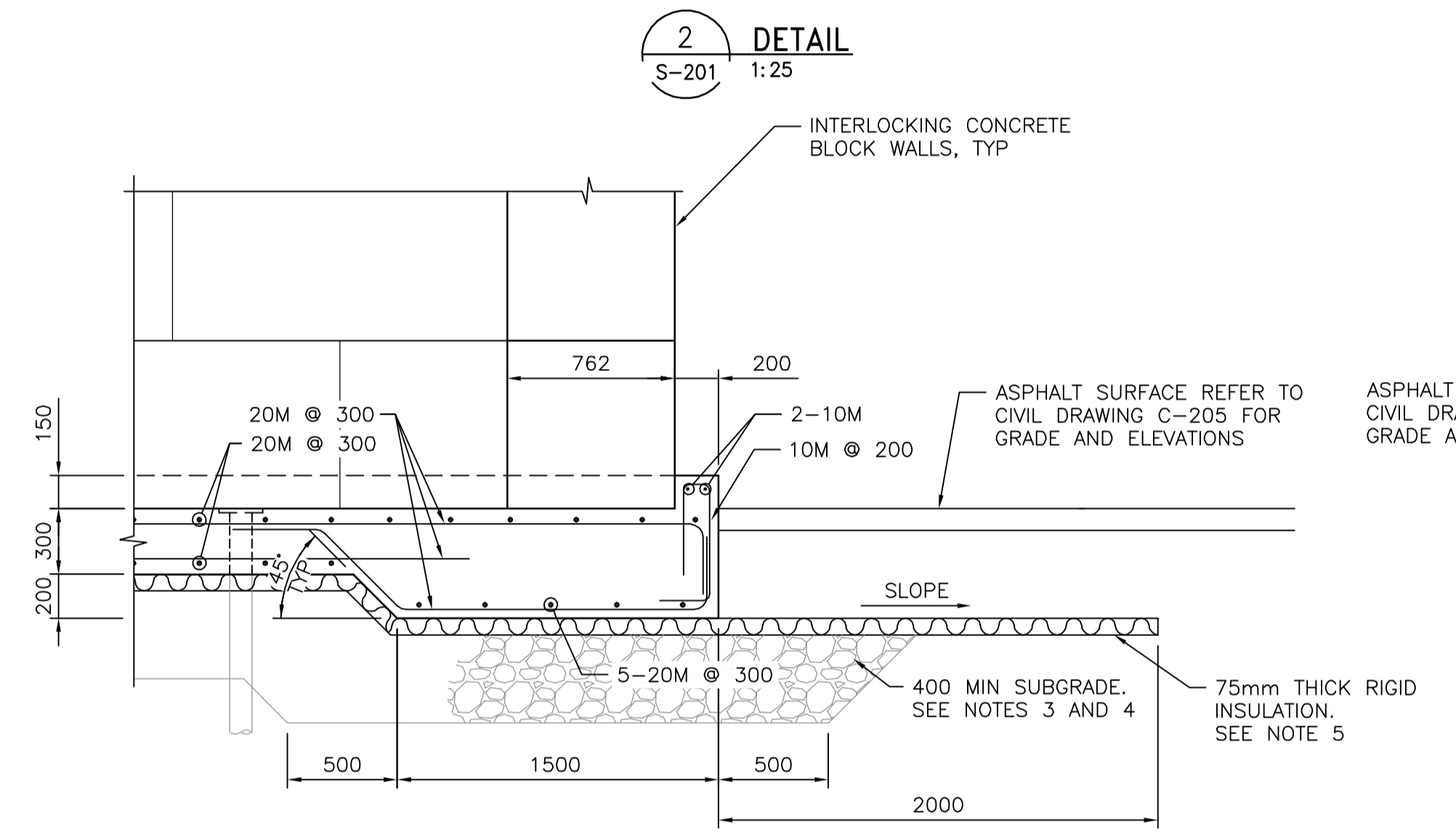
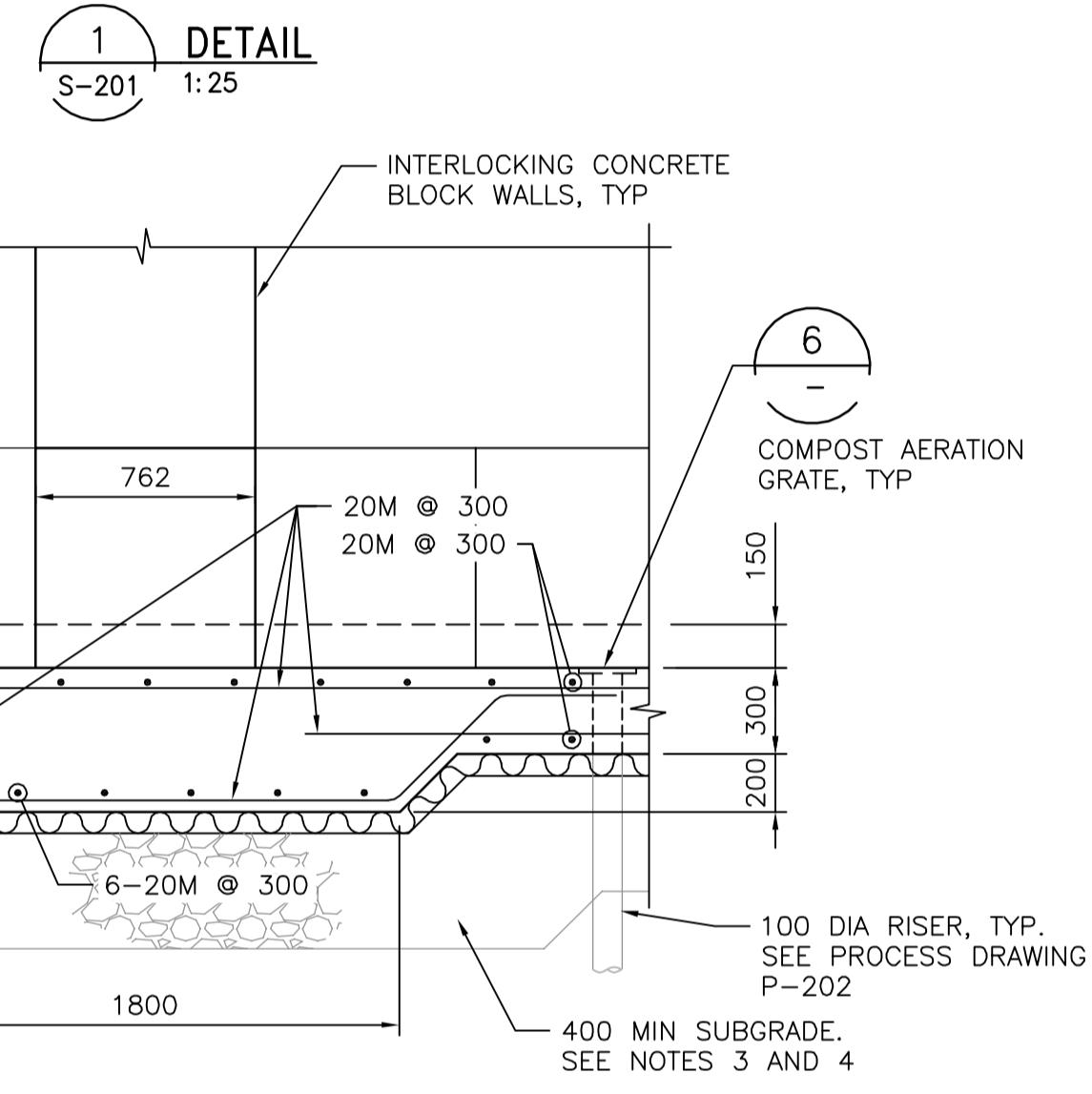


- NOTES:**
1. ALL DIMENSIONS ARE IN MILLIMETRES UNLESS NOTED OTHERWISE.
  2. REFER TO DRAWING NO. S-001 FOR GENERAL NOTES.
  3. FOUNDATIONS SUBGRADE TO BE A MINIMUM OF 400mm THICK CRUSHED LIMESTONE (300mm OF 50mm UNDERLYING 100mm OF 19mm) COMPACTED TO 98% SPMDD OVERLYING 98% SPMDD COMPACTED CLAY MAXIMUM LIFTS OF 150mm.
  4. PROVIDE SUBGRADE BEARING CAPACITY OF 150 kPa (SLS). CONTRACTOR ADMINISTRATOR TO CONFIRM PRIOR TO POURING FOUNDATIONS.
  5. PROVIDE 75mm INSULATION UNDER ALL CONCRETE SLABS AND AROUND PERIMETER OF THICKENED EDGE AND AWAY FROM FOOTING 2000mm. PROVIDE SLIGHT SLOPE IN INSULATION TO AVOID PONDING OF WATER.
  6. PROVIDE 50mm CLEAR COVER TO REINFORCEMENT.



6 ASP AERATION GRATE DETAIL  
S-201 1:5

**APEGM**  
Certificate of Authorization  
CH2M HILL Canada Ltd.  
No. 1441 Date: January 25, 2013

B.M. ELEV.	CONSTRUCTION COMPLETION DATE: YYYY MM DD		
DESIGNED BY	KS	CHECKED BY	RP
DRAWN BY	JK	APPROVED BY	BM
SCALE:	HORIZONTAL AS SHOWN VERTICAL AS SHOWN		
DATE	2013 01 25	RELEASED FOR CONSTRUCTION DATE	
NO.	ISSUED FOR CONSTRUCTION	13/01/25	JK
REVISIONS		DATE	BY

**CH2MHILL**

DESIGNED BY: KS  
CHECKED BY: RP  
DRAWN BY: JK  
APPROVED BY: BM  
SCALE: HORIZONTAL AS SHOWN, VERTICAL AS SHOWN  
DATE: 2013 01 25  
RELEASED FOR CONSTRUCTION DATE: \_\_\_\_\_  
PLOT DATE: 2013 01 21

ENGINEER'S SEAL

**PARIKH**  
Member  
30474  
REGISTERED PROFESSIONAL ENGINEER

CONSULTANT DRAWING NUMBER  
S-202

**THE CITY OF WINNIPEG**  
WATER AND WASTE DEPARTMENT  
ENGINEERING DIVISION

BRADY ROAD RESOURCE MANAGEMENT FACILITY  
LEAF AND YARD WASTE AND  
PILOT BIOSOLIDS COMPOSTING

STRUCTURAL  
ASP BUNKERS SECTIONS & DETAILS

SHEET 18 OF 45  
CITY DRAWING NUMBER  
1-0400B-S0003-001-00