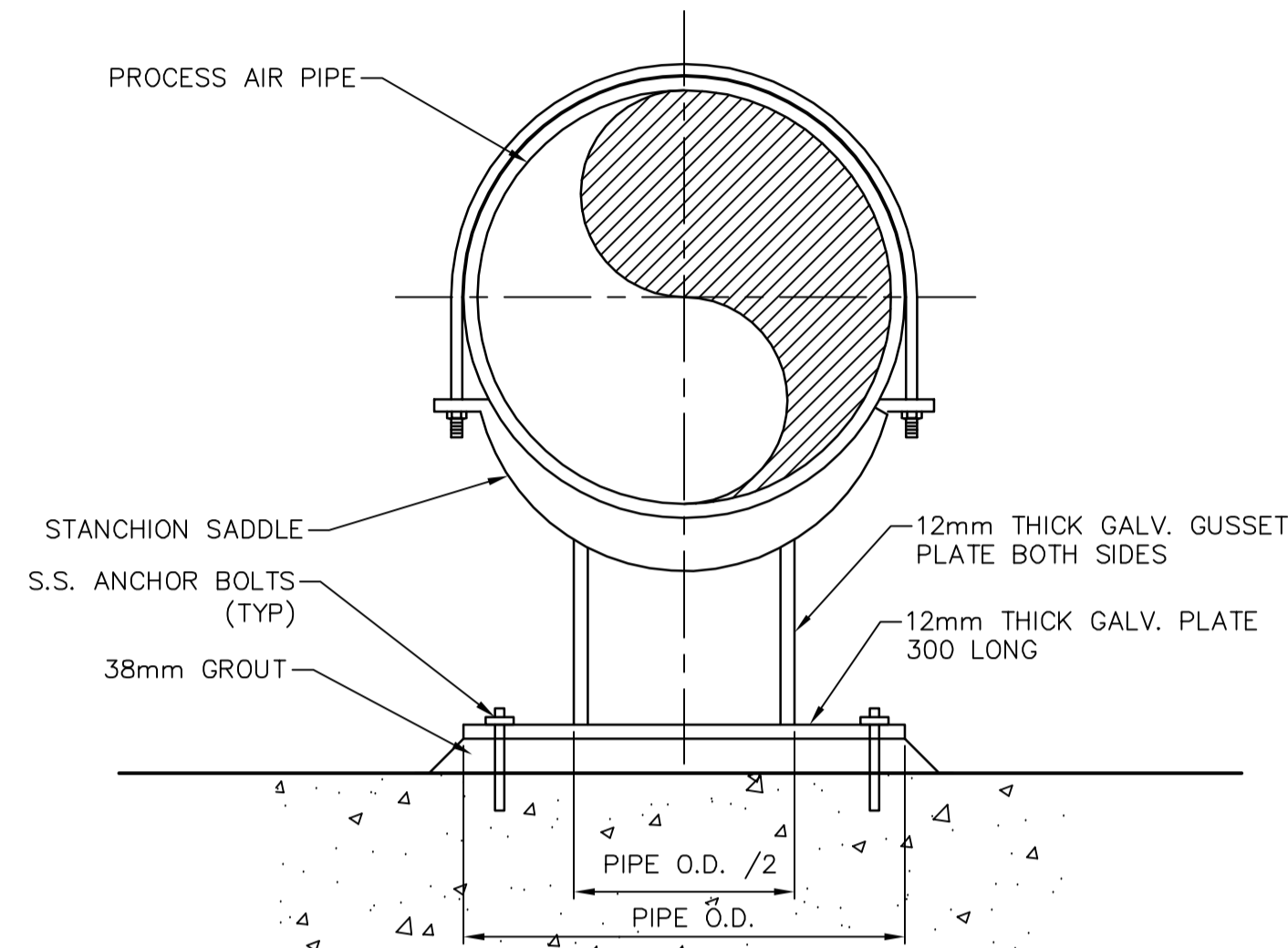


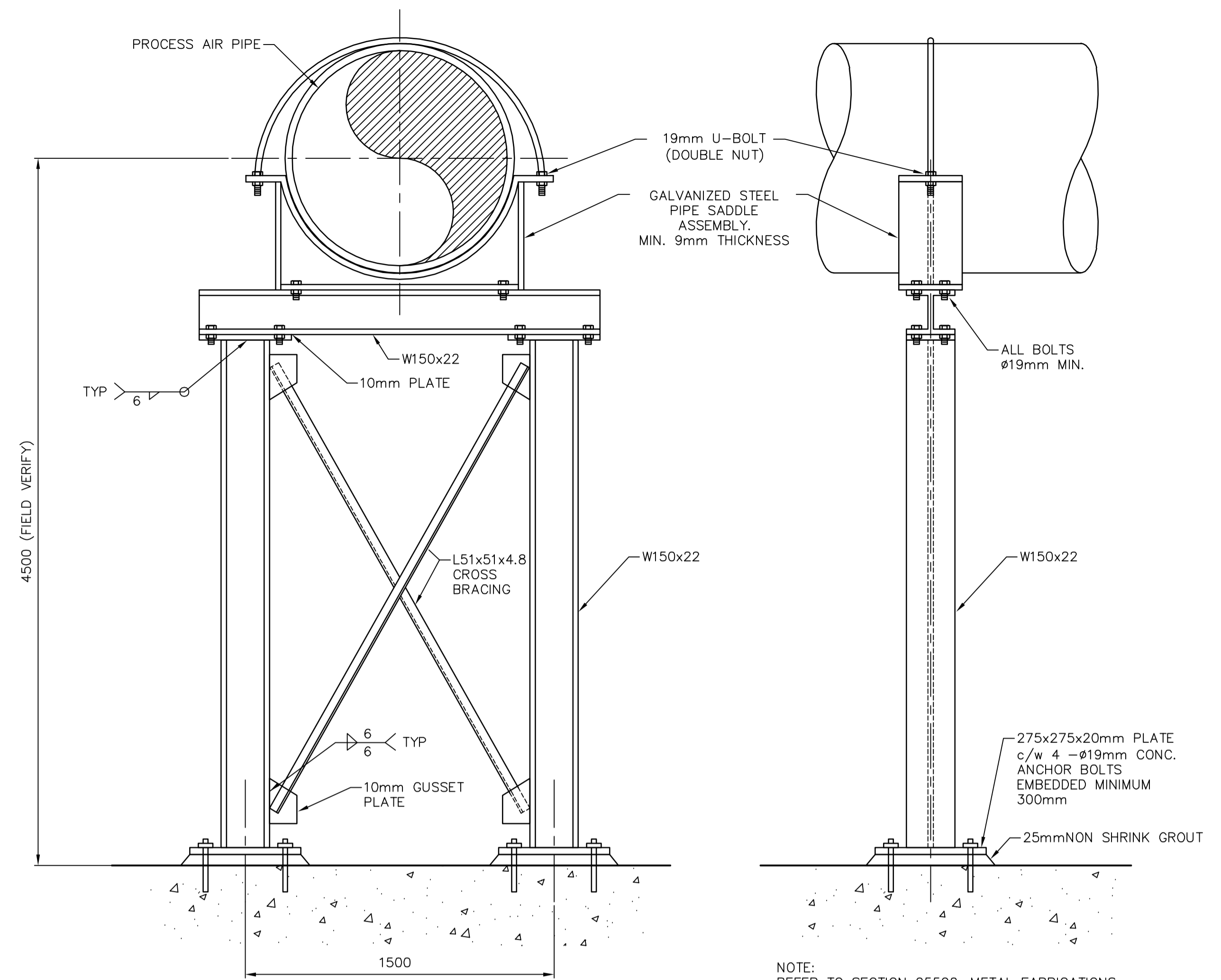
| DIMENSION TABLE | | | |
|-----------------|-----|-----|-----|
| PIPE SIZE | A | B | C |
| 100 | 75 | 105 | 225 |
| 150 | 75 | 136 | 225 |
| 200 | 75 | 173 | 225 |
| 250 | 75 | 211 | 225 |
| 300 | 75 | 248 | 225 |
| 350 | 100 | 273 | 275 |
| 400 | 100 | 309 | 275 |
| 450 | 100 | 347 | 275 |
| 500 | 150 | 384 | 338 |
| 600 | 150 | 448 | 338 |
| 750 | 150 | 532 | 338 |
| 900 | 200 | 613 | 400 |

- NOTES:**
- PROVIDE NEOPRENE WAFFLE ISOLATION PAD SIMILAR TO MASON TYPE "W" OR KORFUND KORPAD 40, UNDER SUPPORT FOOT WHEN PIPING IS ISOLATED OR SUPPORT IS ADJACENT TO MECHANICAL EQUIPMENT.
 - FOR BASE, HEIGHT, AND FLANGE DIMENSIONS, SEE TABLE.

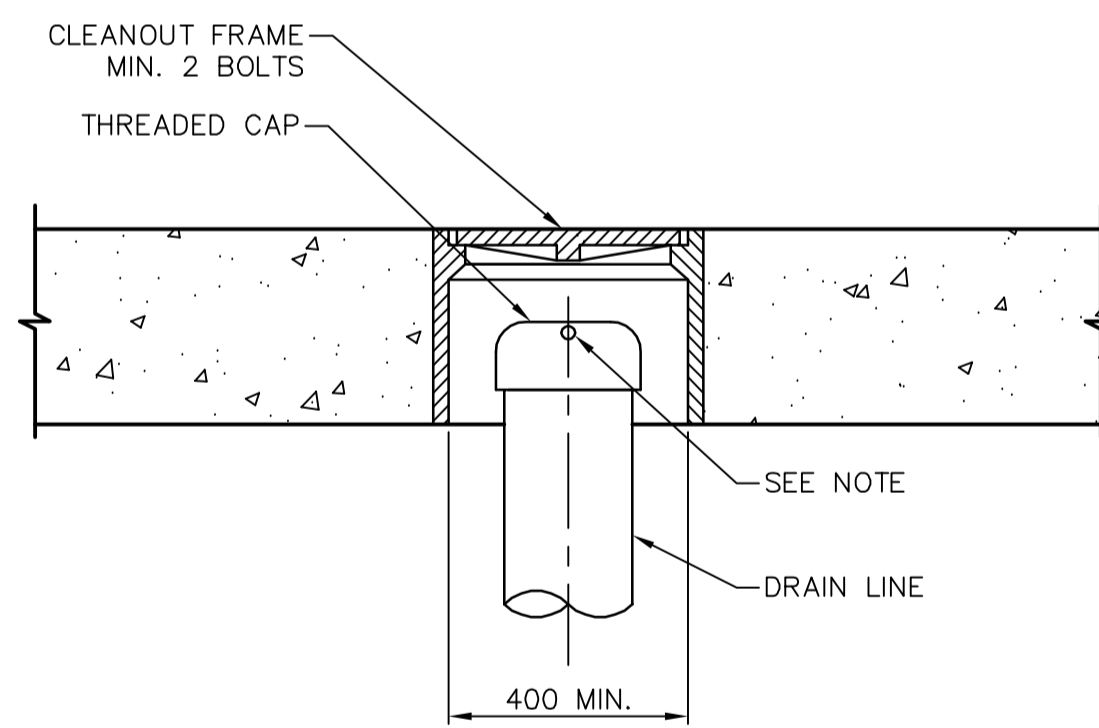
1 PIPE SUPPORT -TYPE 1
- NTS



2 PIPE SUPPORT -TYPE 2
- NTS

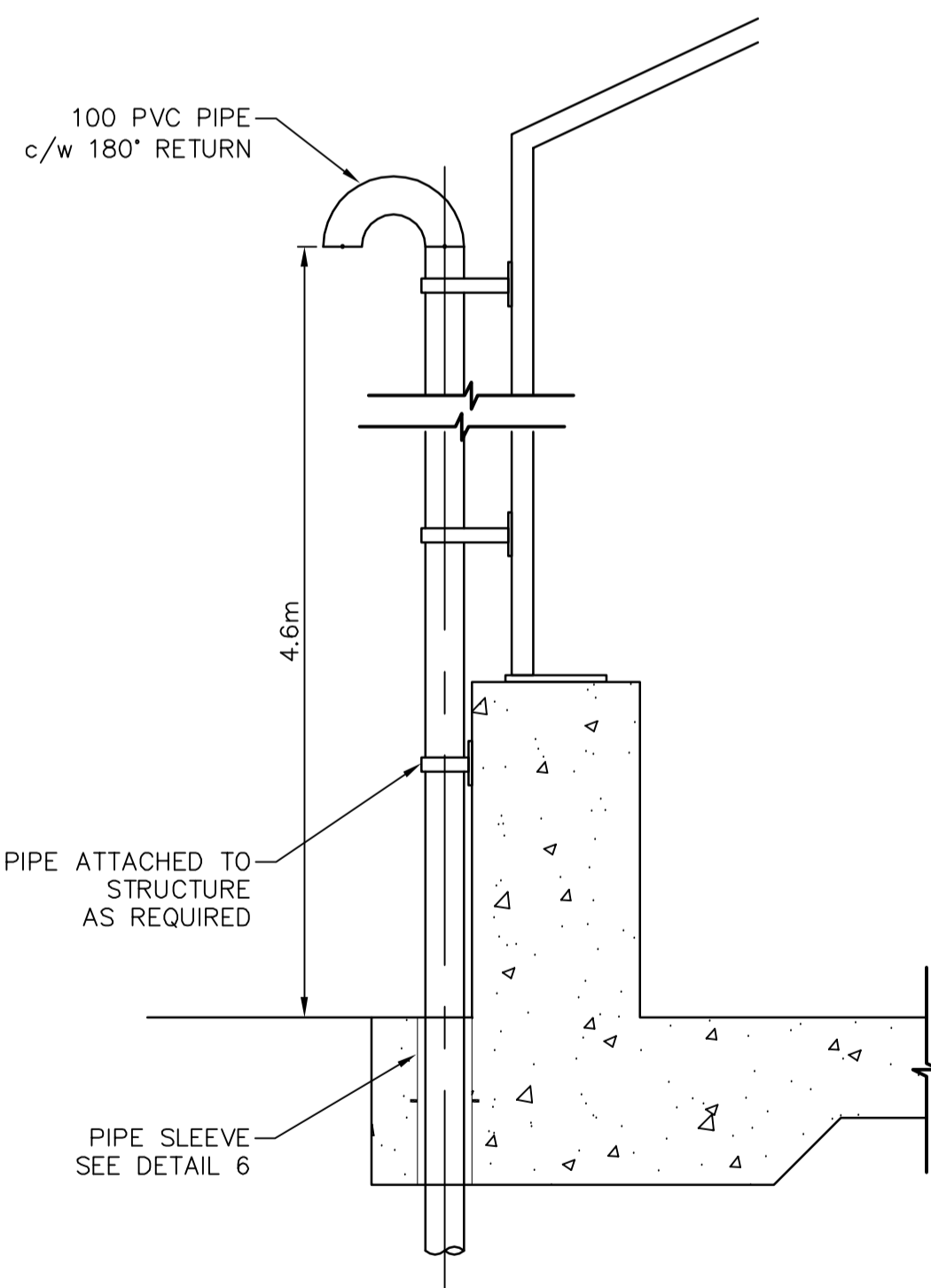


3 PIPE SUPPORT -TYPE 3
- NTS

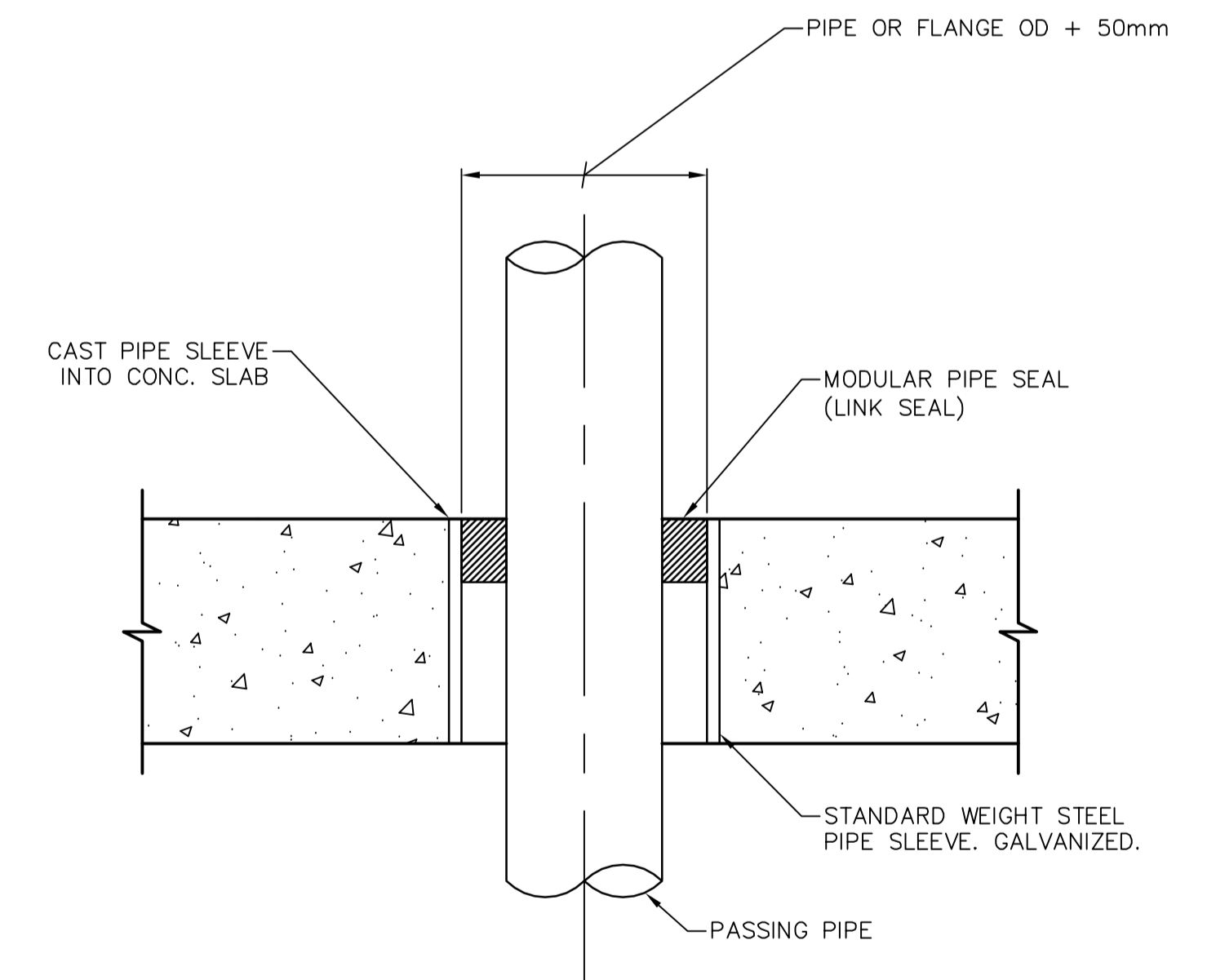


NOTE:
INCLUDE Ø10mm HOLE IN TOP OF THREADED CAP AT ALL CLEANOUT LOCATIONS IDENTIFIED AS REQUIRING AN AIR GAP.

4 SLAB ON GRADE CLEANOUT
- NTS



5 VENT PIPE DETAIL
- NTS



6 PIPE SLEEVE
- NTS

APEGM
Certificate of Authorization
CH2M HILL Canada Ltd.
No. 1441 Date: January 25, 2013

| | | | |
|---------------------------|--|-------------|---------------------------|
| B.M. ELEV. | CONSTRUCTION COMPLETION DATE: YYYY MM DD | | |
| DESIGNED BY | TW | CHECKED BY | SG |
| DRAWN BY | JBC | APPROVED BY | BM |
| SCALE: | HORIZONTAL AS SHOWN | | RELEASED FOR CONSTRUCTION |
| VERTICAL | - | | DATE |
| 0 ISSUED FOR CONSTRUCTION | 13/01/25 | JBC | DATE |
| NO. | REVISIONS | DATE | BY |

CH2MHILL

| | |
|-----------------|---------------------------|
| ENGINEER'S SEAL | CONSULTANT DRAWING NUMBER |
| | P-501 |
| DATE | 2013 01 25 |
| PLOT DATE: | 2013 02 04 |

ENGINEER'S SEAL
PROVINCE OF MANITOBA
S.E.
BRADY
REGISTERED PROFESSIONAL ENGINEER
CONSULTANT DRAWING NUMBER
P-501

THE CITY OF WINNIPEG
WATER AND WASTE DEPARTMENT
ENGINEERING DIVISION
BRADY ROAD RESOURCE MANAGEMENT FACILITY
LEAF AND YARD WASTE AND PILOT BIOSOLIDS COMPOSTING
PROCESS - MISCELLANEOUS DETAILS
SHEET 35 OF 45
CITY DRAWING NUMBER
1-0400B-P0007-001-00