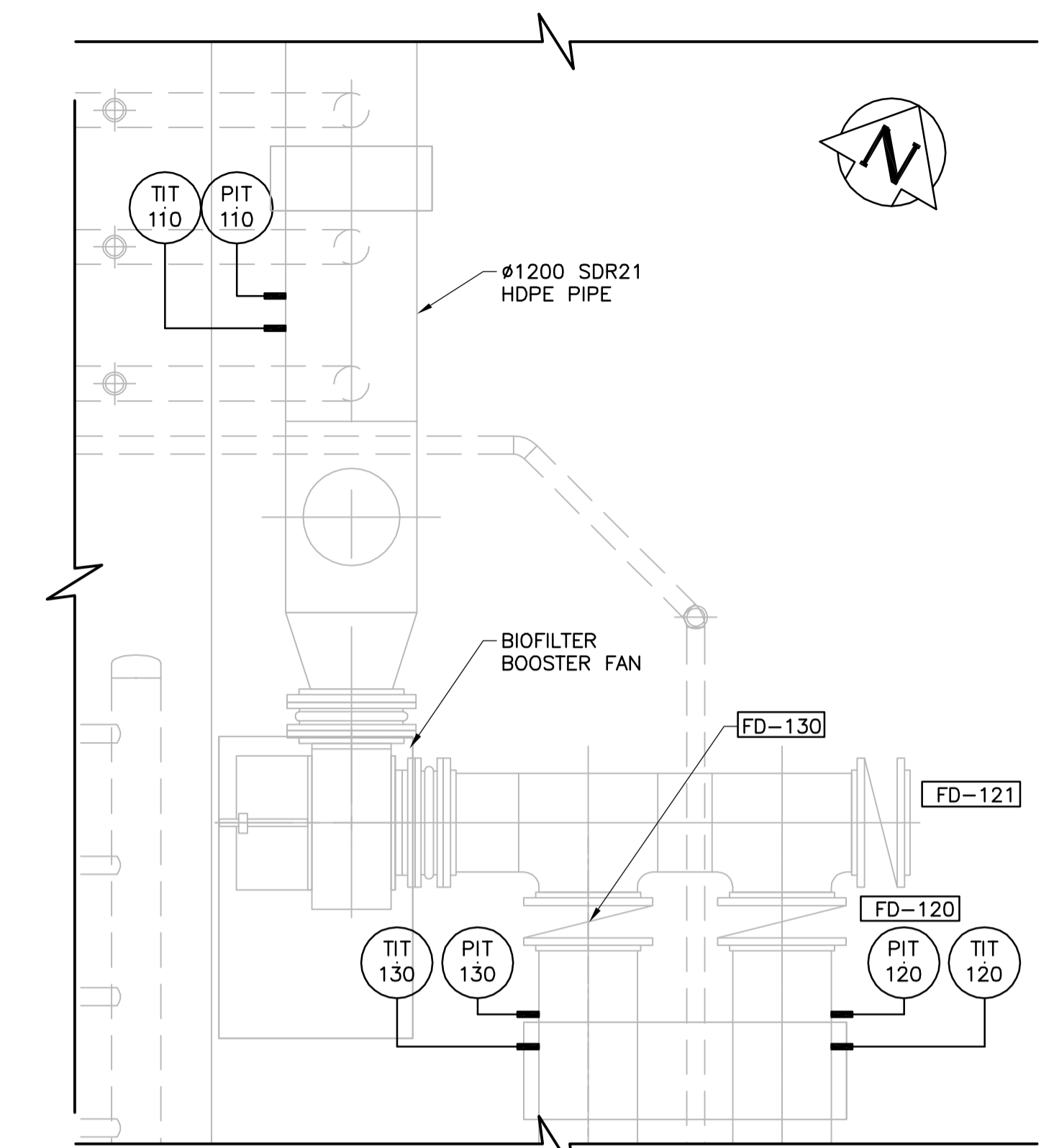
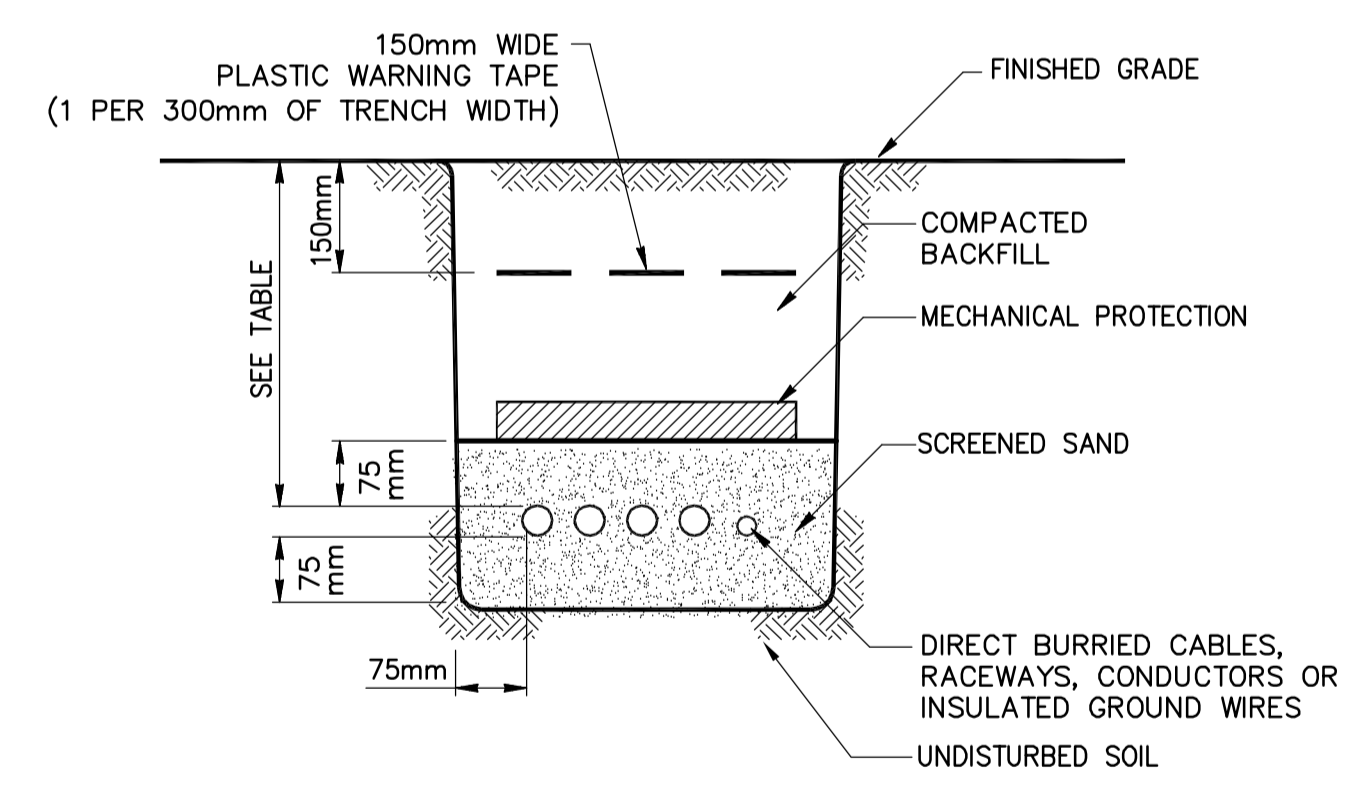


1 MCC AND MCP ELEVATION



2 PRESSURE HEADER INSTRUMENTATION LOCATIONS  
E-201 1:50

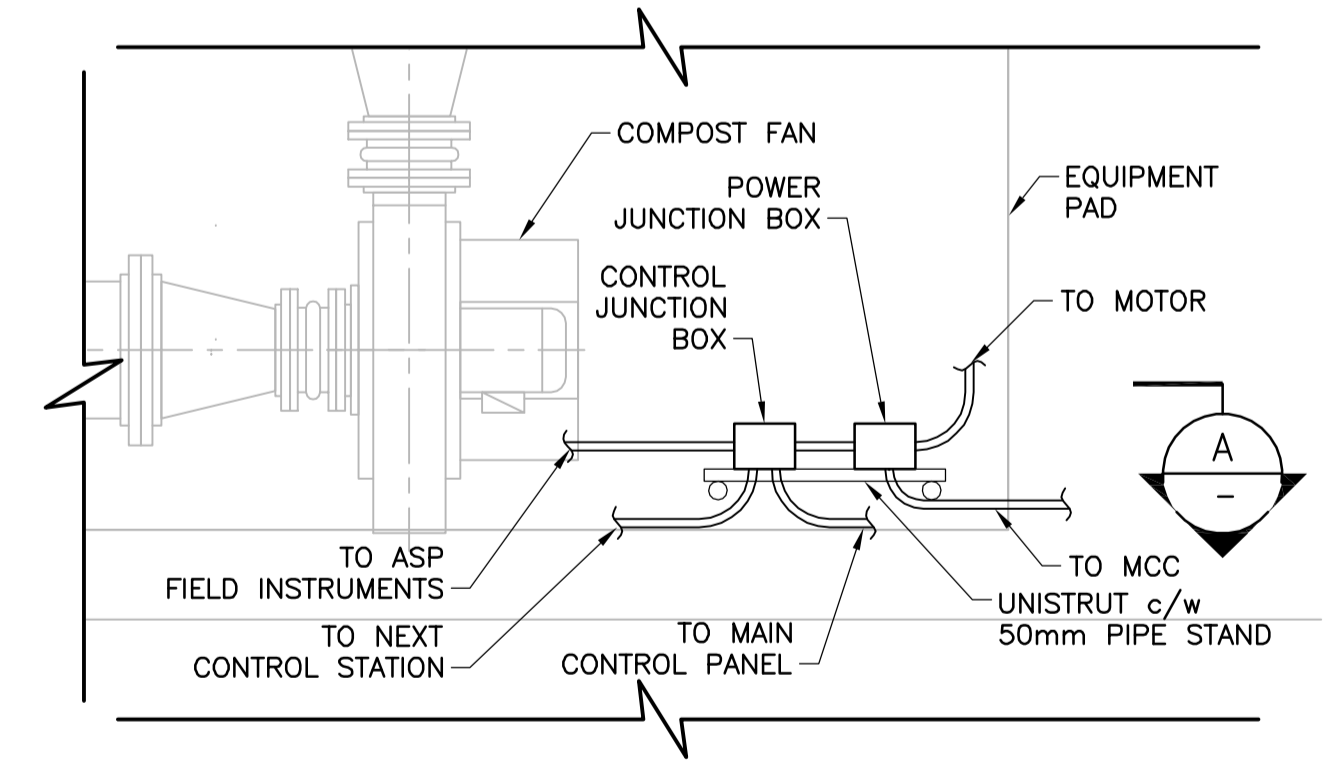


MINIMUM COVER REQUIREMENTS TABLE

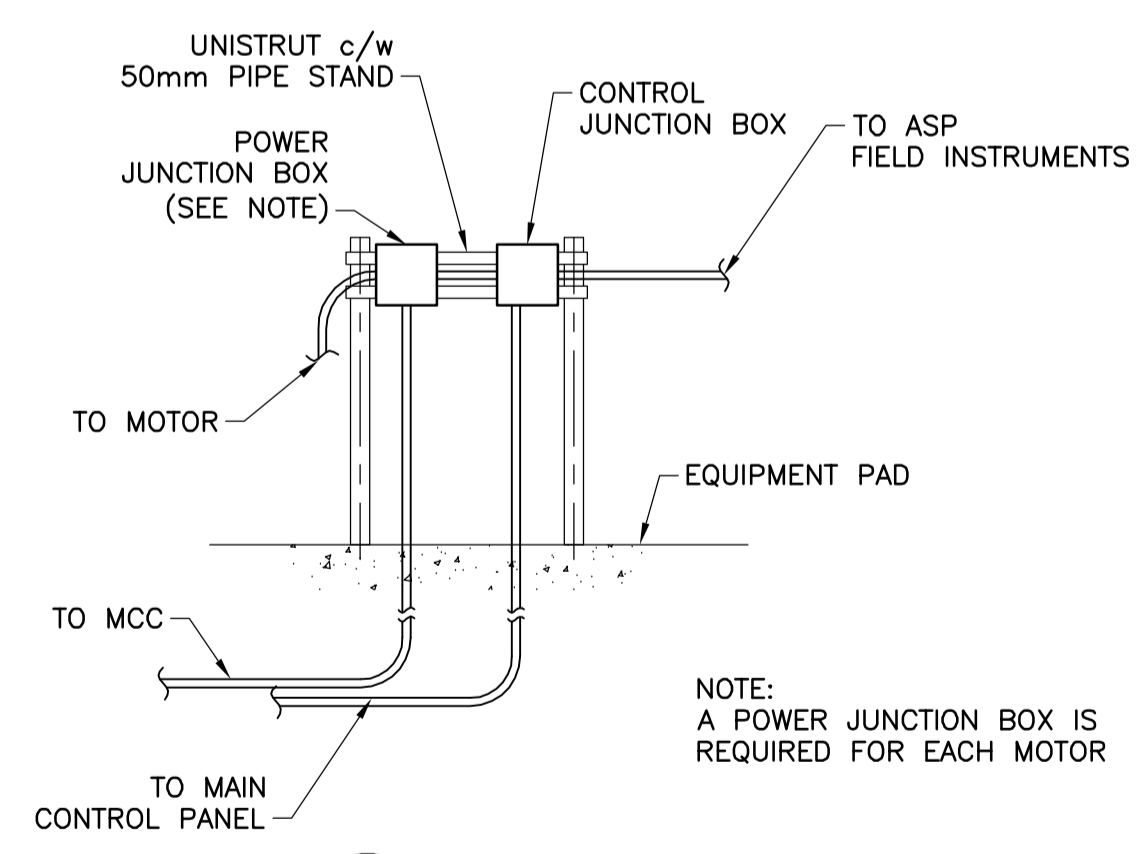
WIRING METHOD	NON-VEHICULAR AREAS		VEHICULAR AREAS	
	750 V OR LESS	OVER 750 V	750 V OR LESS	OVER 750 V
CONDUCTORS OR CABLES NOT HAVING A METAL SHEATH OR ARMOUR	600mm	750mm	900mm	1000mm
RACEWAY AND CONDUCTORS OR CABLES HAVING A METAL SHEATH OR ARMOUR	450mm	750mm	600mm	1000mm

3 TRENCH DETAIL FOR DIRECT BURIED CABLE  
E-201 N.T.S.

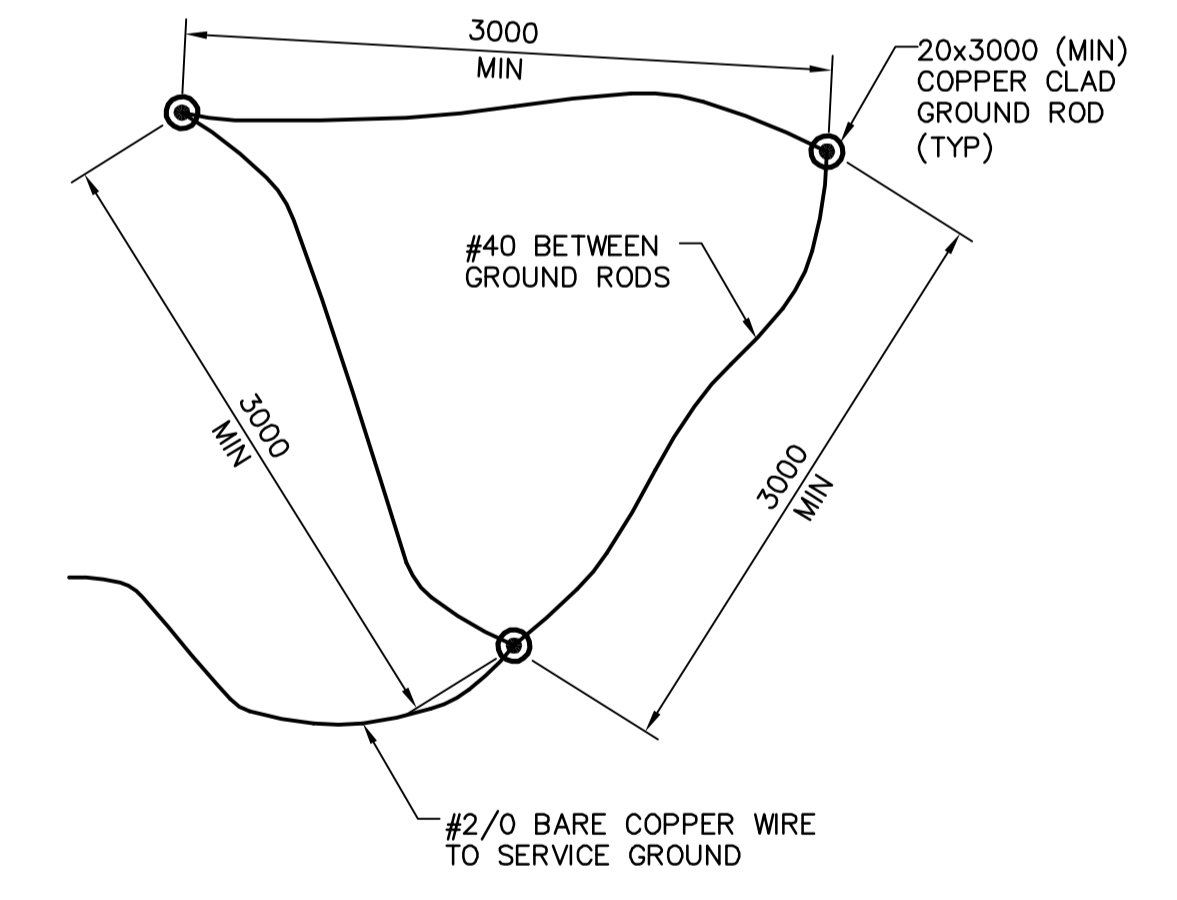
NOTE:  
CABLES, RACEWAYS OR CONDUCTORS  
HAVING MECHANICAL PROTECTION



4 JUNCTION BOX PLAN  
E-201 1:25



A JUNCTION BOX ELEVATION  
1:25



5 GROUNDING DETAILS  
N.T.S.



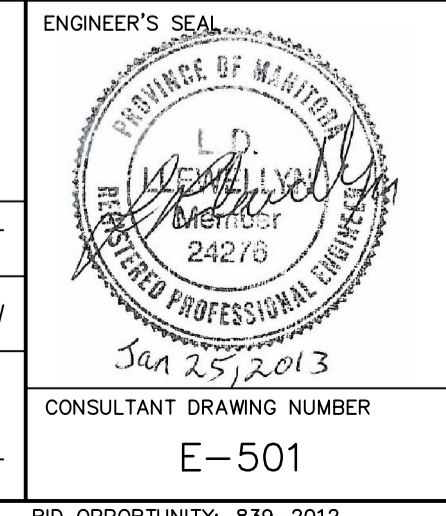
B.M. ELEV.			
CONSTRUCTION COMPLETION DATE: YYYY MM DD			
DESIGNED BY	LL	CHECKED BY	WT
DRAWN BY	EA	APPROVED BY	BW
SCALE:	AS NOTED		
HORIZONTAL			
VERTICAL			
ISSUED FOR CONSTRUCTION	13/01/25	JBC	
NO.	REVISIONS	DATE	BY
		2013 01 25	

**CH2MHILL**

DESIGNED BY LL CHECKED BY WT  
DRAWN BY EA APPROVED BY BW

SCALE: HORIZONTAL AS NOTED VERTICAL  
DATE 2013 01 25 RELEASED FOR CONSTRUCTION

PLOT DATE: 2013 02 04



**THE CITY OF WINNIPEG**  
WATER AND WASTE DEPARTMENT  
ENGINEERING DIVISION

BRADY ROAD RESOURCE MANAGEMENT FACILITY  
LEAF AND YARD WASTE AND  
PILOT BIOSOLIDS COMPOSTING

ELECTRICAL  
MISCELLANEOUS DETAILS SHEET 1 OF 2

SHEET 44 OF 45  
CITY DRAWING NUMBER  
1-0400B-E0007-001-00