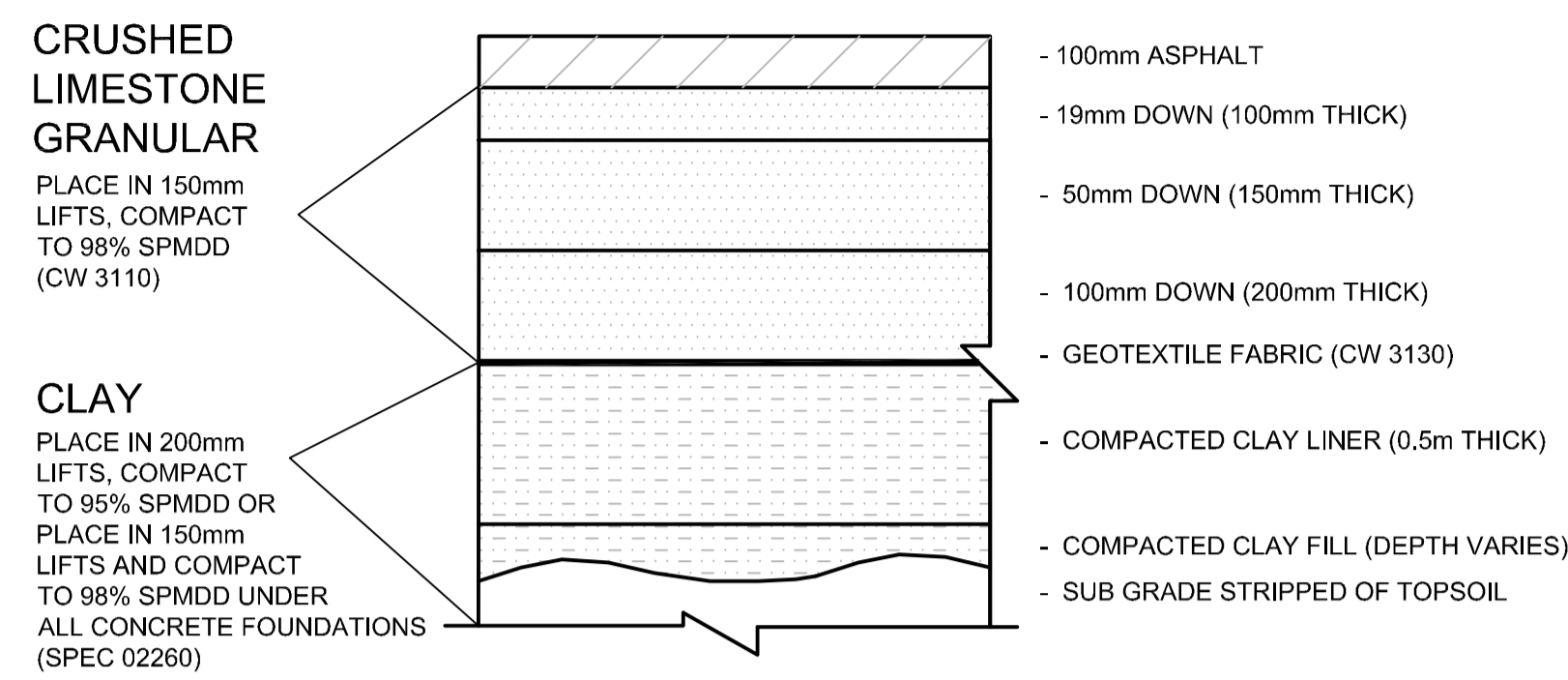
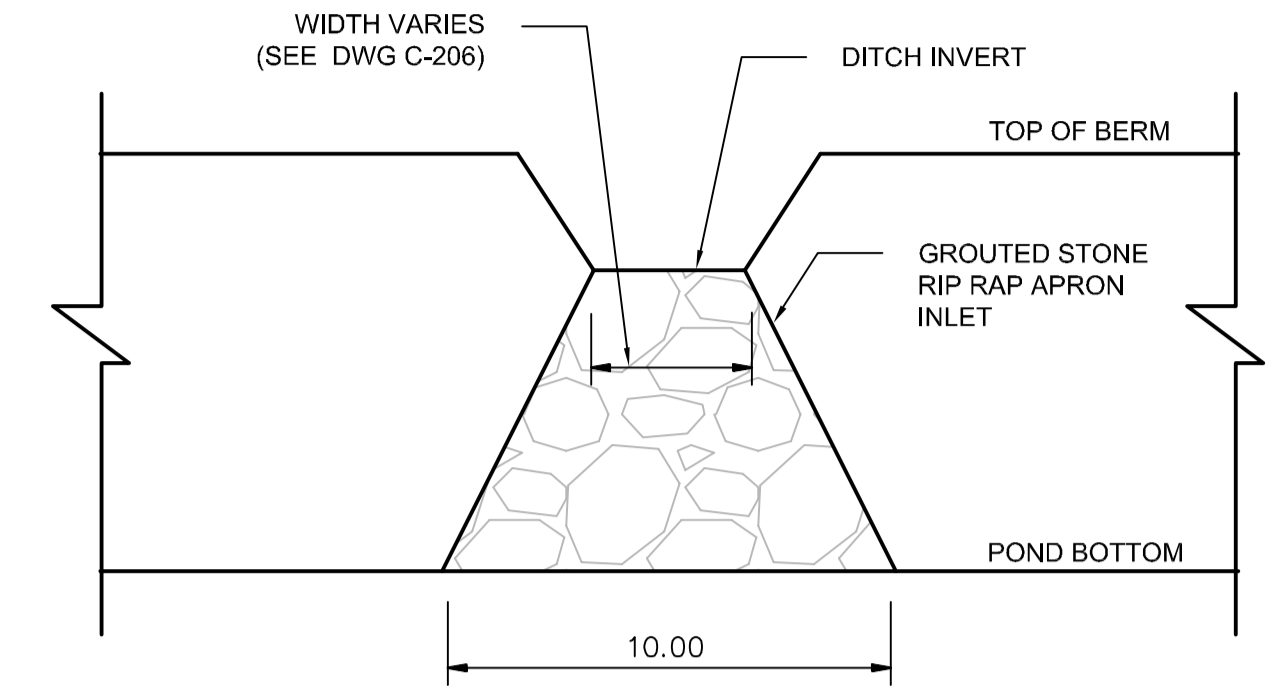


1 TYPICAL PAD/ROAD SECTION
NTS

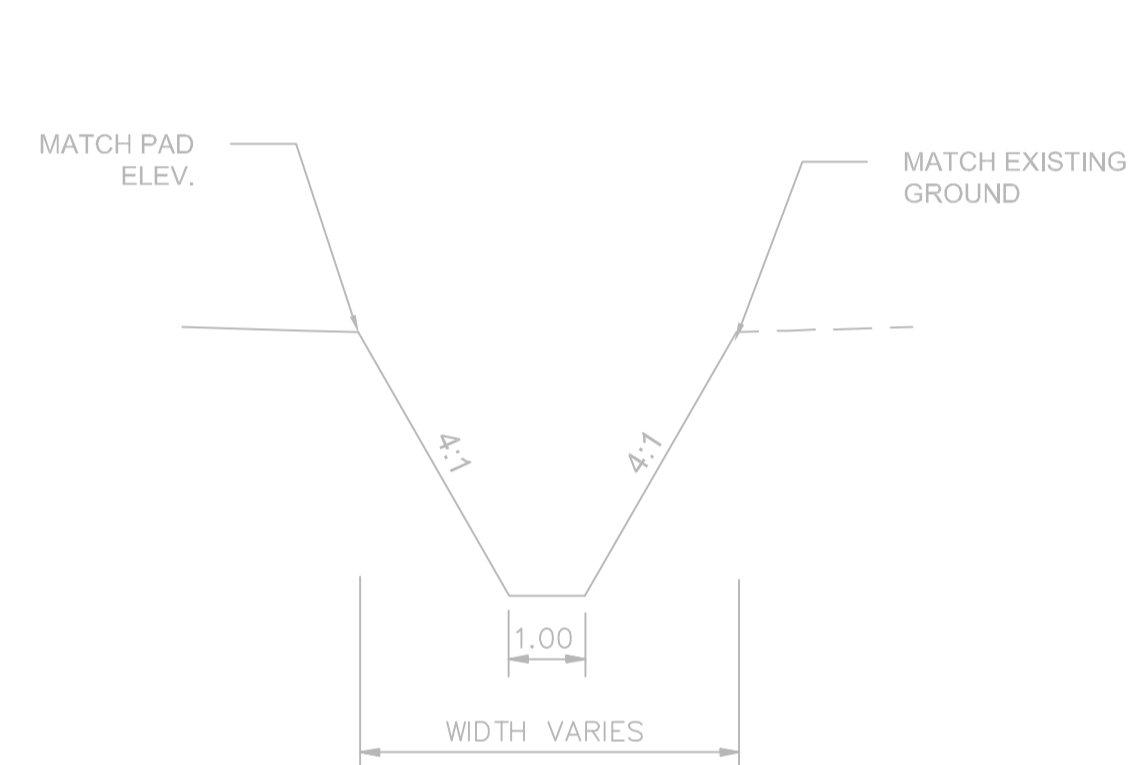


2 ASPHALT PAD SECTION
NTS

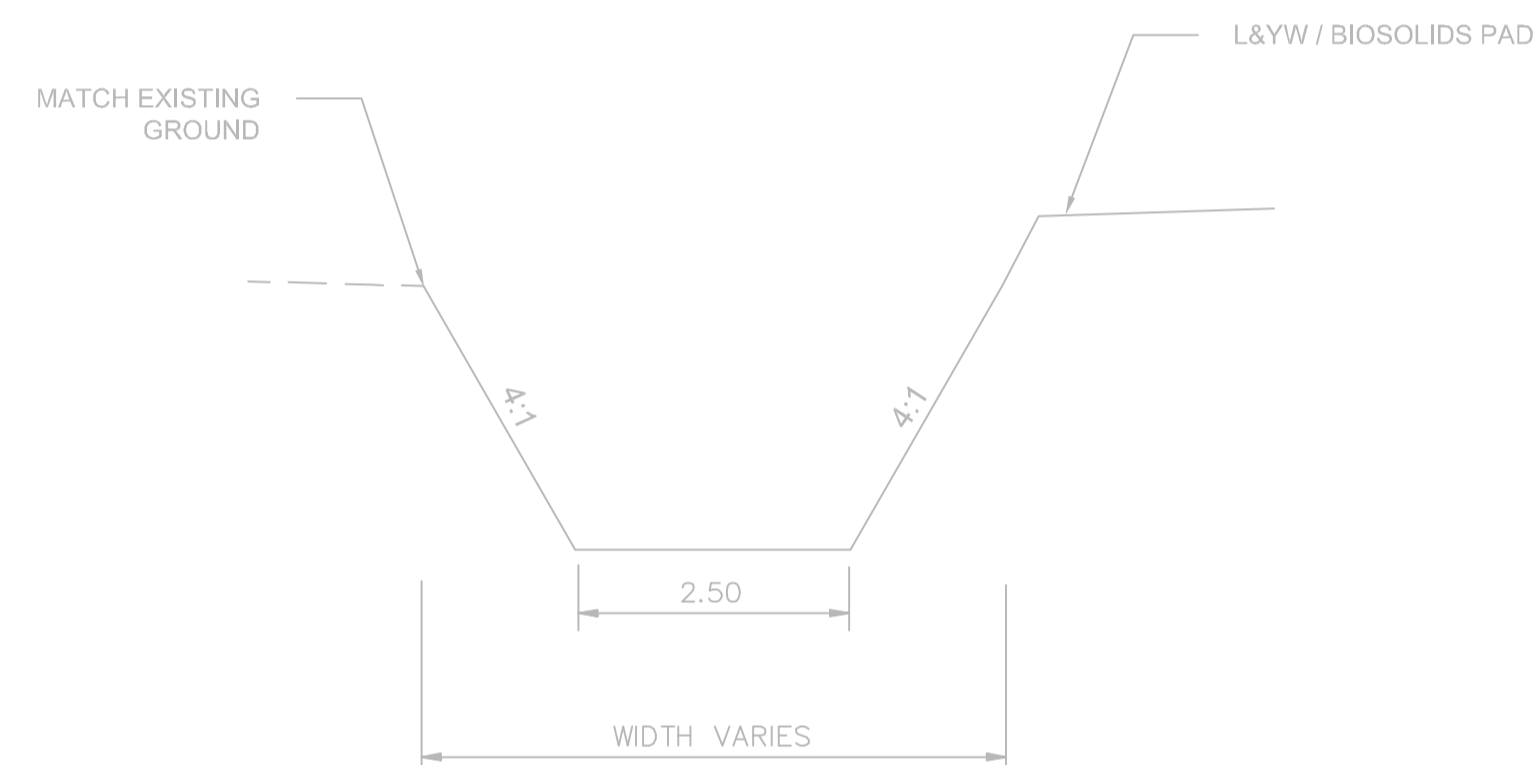


NOTE: RIP RAP IN ACCORDANCE WITH CW-3615

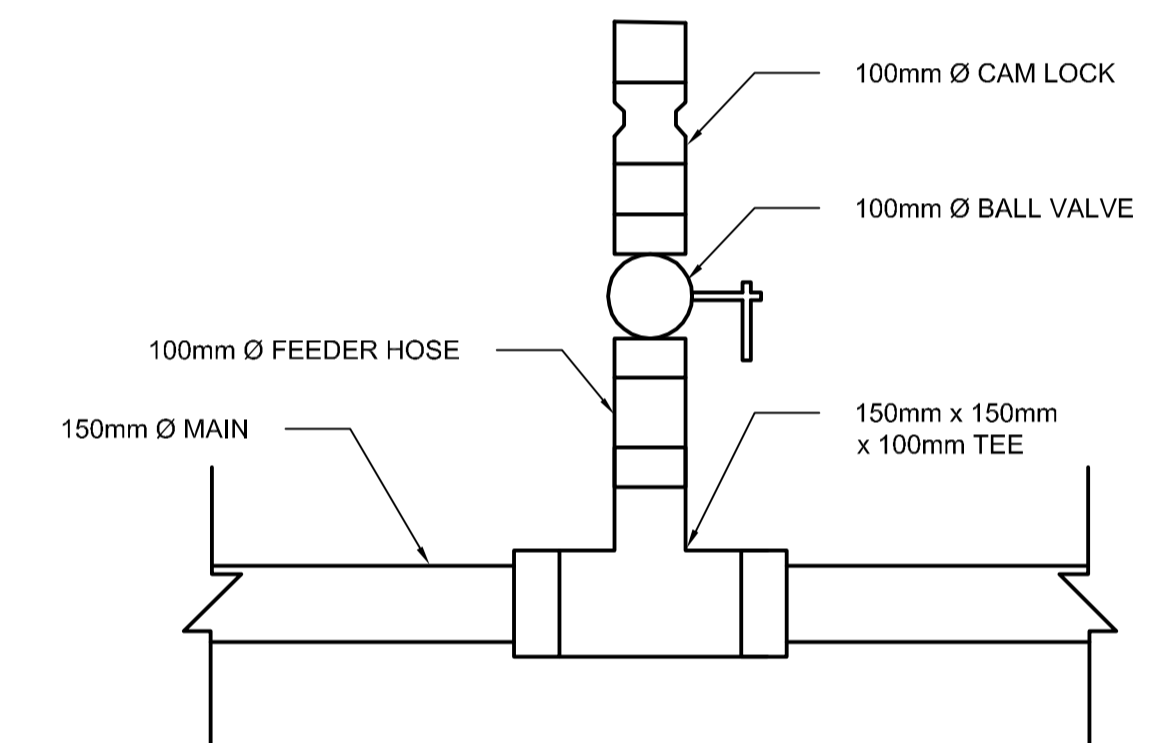
3 POND INLET DETAIL SECTION
NTS



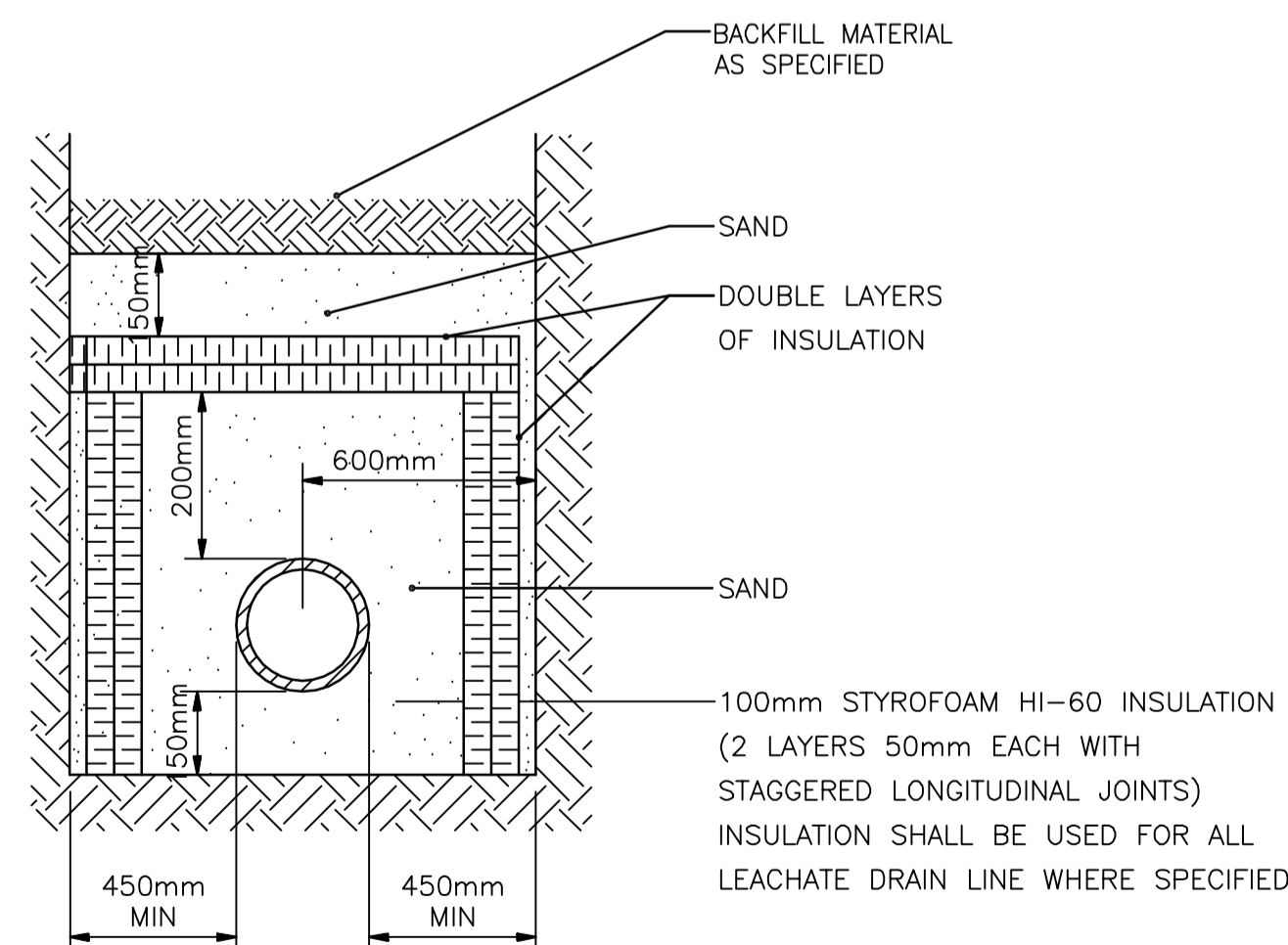
4 TYPICAL DITCH SECTION (DITCHES #2,3,4) (BY OTHERS)
NTS



5 TYPICAL DITCH SECTION (DITCH #1.5) (BY OTHERS)
NTS



6 IRRIGATION HOSE DETAIL
NTS



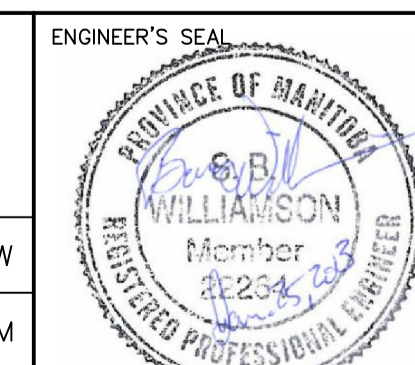
7 PIPE TRENCH INSTALLATION
NTS

APEGM
Certificate of Authorization
CH2M HILL Canada Ltd.
No. 1441 Date: January 25, 2013

B.M. ELEV.			
CONSTRUCTION COMPLETION DATE: YYYY MM DD			
DESIGNED BY	BW	CHECKED BY	BW
DRAWN BY	GH	APPROVED BY	BM
SCALE: HORIZONTAL VERTICAL	NTS NTS	RELEASED FOR CONSTRUCTION	
ISSUED FOR CONSTRUCTION	13/01/25	DATE	2013 01 25
NO.	REVISIONS	DATE	BY

CH2MHILL

DESIGNED BY	BW	CHECKED BY	BW
DRAWN BY	GH	APPROVED BY	BM
SCALE: HORIZONTAL VERTICAL	NTS NTS	RELEASED FOR CONSTRUCTION	
ISSUED FOR CONSTRUCTION	13/01/25	DATE	2013 01 25
NO.	REVISIONS	DATE	BY



CONSULTANT DRAWING NUMBER
C-501

THE CITY OF WINNIPEG
WATER AND WASTE DEPARTMENT
ENGINEERING DIVISION

Winnipeg

BRADY ROAD RESOURCE MANAGEMENT FACILITY
LEAF AND YARD WASTE AND PILOT BIOSOLIDS COMPOSTING

CIVIL
MISCELLANEOUS DETAILS

SHEET 15 OF 45
CITY DRAWING NUMBER
1-0400B-C0011-001-00

BID OPPORTUNITY: 839-2012

FILE PATH: C:\pwworkdir\ch2mhill_wbg\jportez1\d0198664\ C-501.dwg