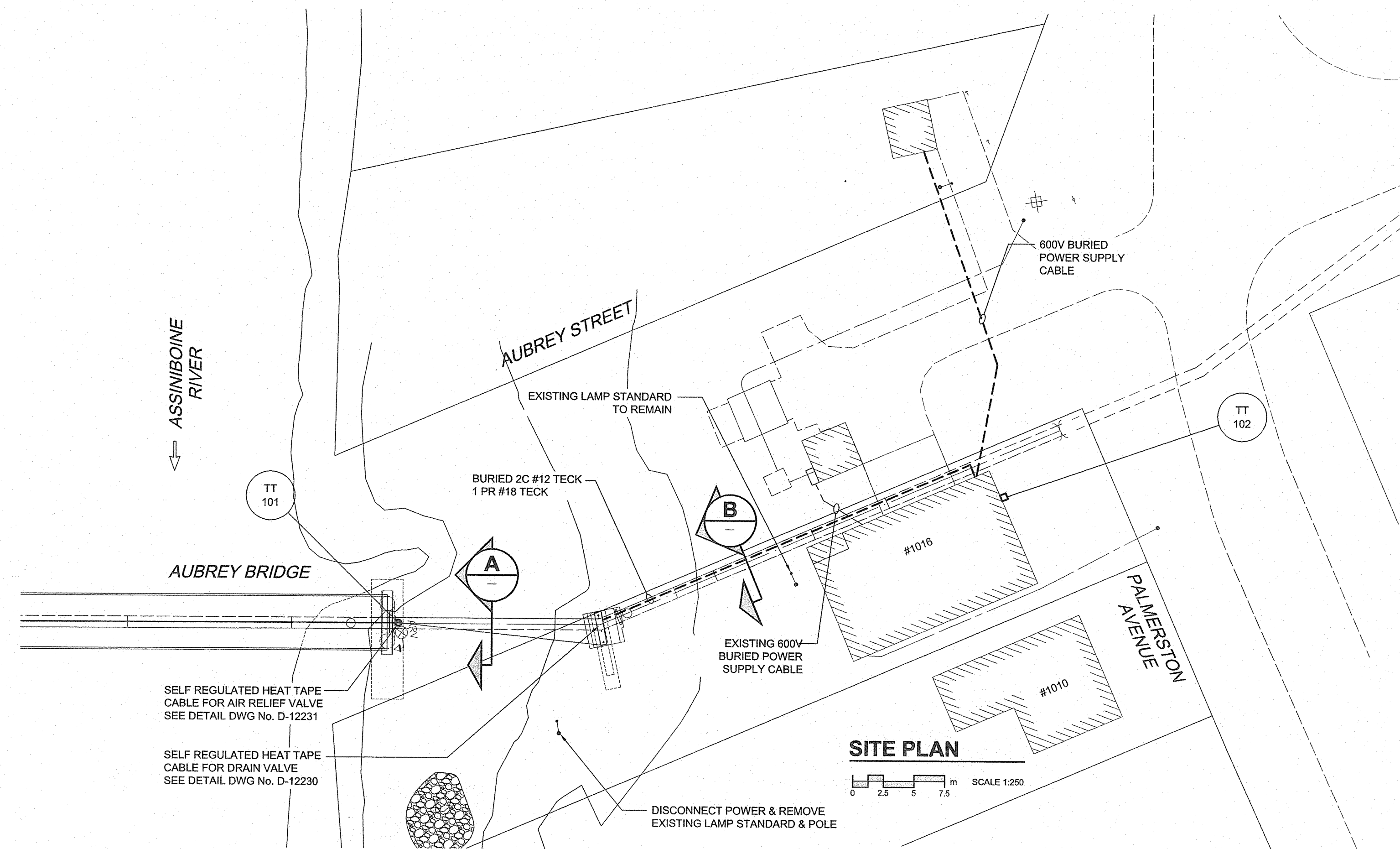


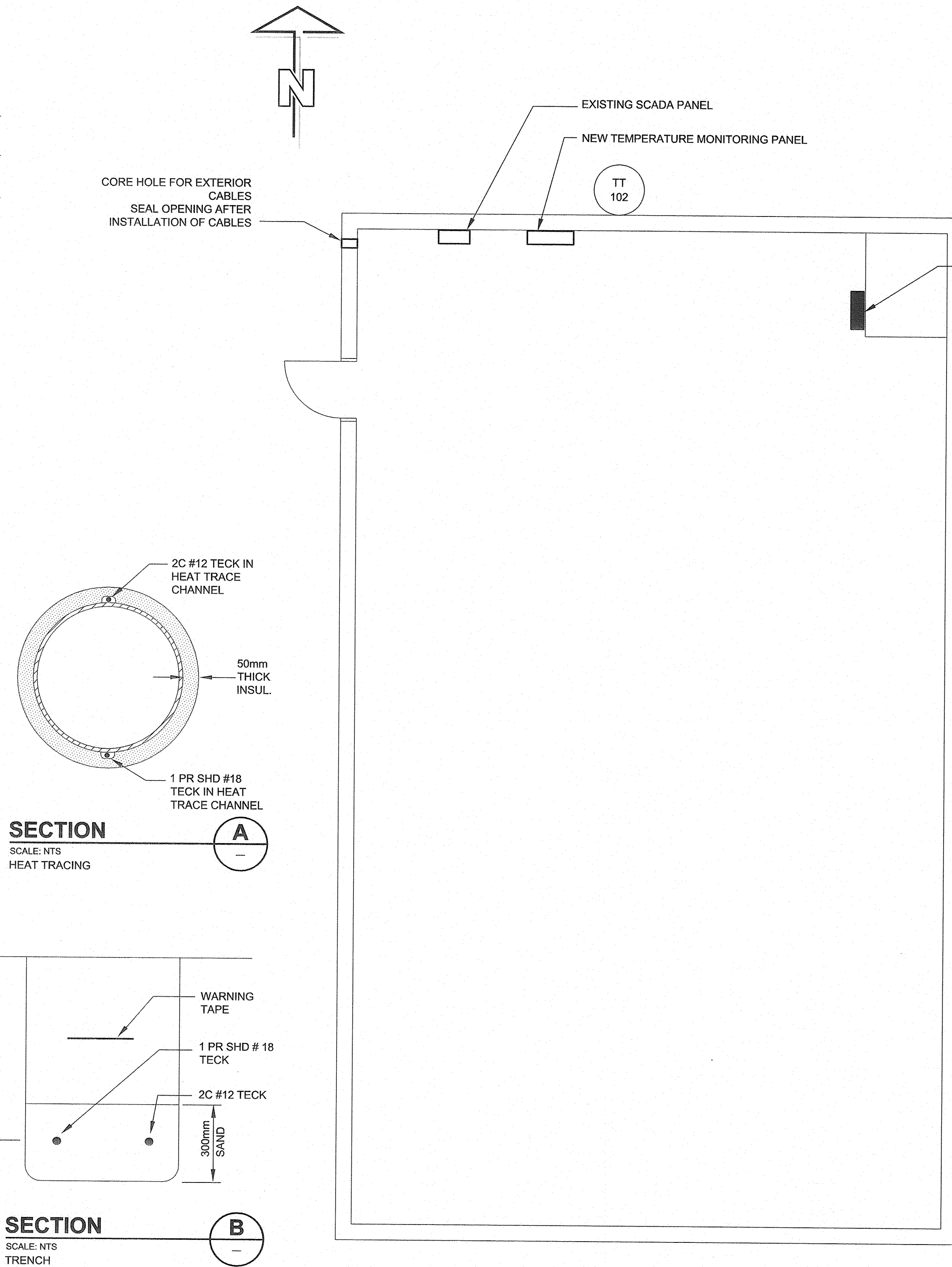
D SIZE 22" x 34" (559mm x 864mm)

PLOT: 10/18/2012 11:31:07 AM

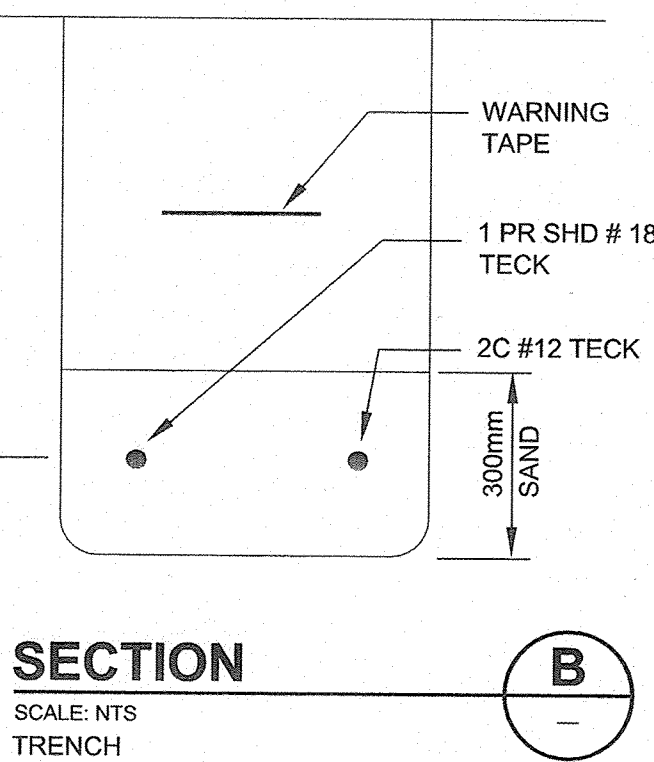
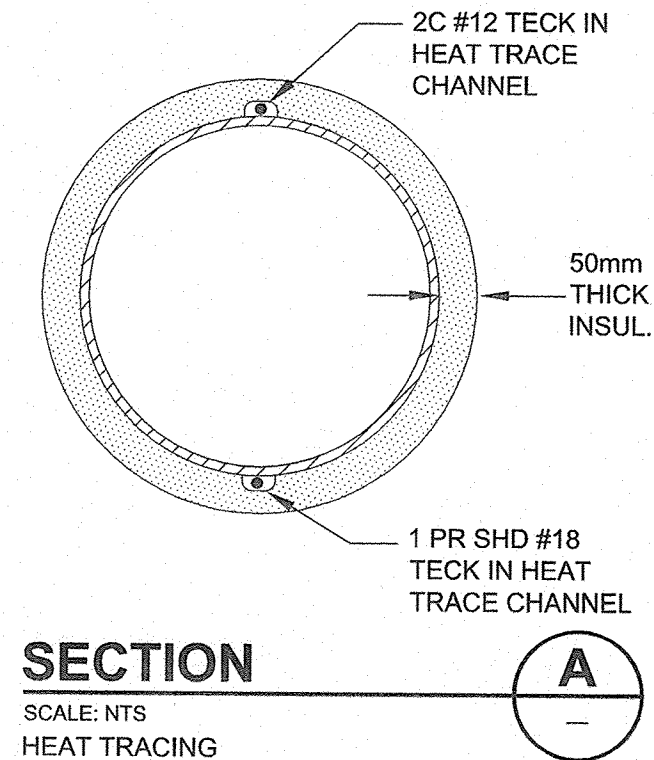
AECOM REVIEW DRFT CHK  
AECOM FILE NAME: D265-230-02\_01-E-T001\_RX.dwg Saved By: [unreadable]



**SITE PLAN**  
SCALE: 1:250



- NOTES**
- CONFIRM EXISTING CIRCUITS AND PROVIDE NEW TYPED PANEL DIRECTORY FOR 120/240V PANELBOARD.
  - LOCATE ALL UNDERGROUND UTILITIES PRIOR TO TRENCHING



120/240V PANELBOARD							
CCT NO	DESCRIPTION	LOAD	TRIP AMPS	N AB	TRIP AMPS	LOAD	DESCRIPTION
01	USED						
03	UPSTAIRS LIGHTS				2P		DOWNSTAIRS LIGHTS
05	SUMP PUMP				15		GFCI BREAKER - HEAT TRACE
07	USED				15		TEMPERATURE MONITORING PANEL
09	DOWNSTAIRS LIGHTS						SPACE
11	USED						SPACE
13	USED						SPACE
15	CONTROL PANEL						SPACE
17	OUTSIDE LIGHTS						SPACE
19	SPARE				30		SPACE
21					2P		SPACE
23	SPACE				2P		SPACE

VOLTAGE: 120/240      PHASE: 1      WIRE:      BREAKER I.C.:  
 MAIN BREAKER: 125A      MAINS:      FEEDER:        
 MOUNTING:      LOCATION:        
 FED FROM:        
 NOTES: SQUARE D QO-24M

**APEGM**  
Certificate of Authorization  
AECOM Canada Ltd.  
No. 4671    Date: Oct 19, 2012

**PLAN**  
SCALE: 1:50  
FLOOR PLAN

**LOCATION APPROVED**  
UNDERGROUND STRUCTURES

SUPR. U/G STRUCTURES COMMITTEE DATE

**NOTE:**  
LOCATION OF UNDERGROUND STRUCTURES AS SHOWN ARE BASED ON THE BEST INFORMATION AVAILABLE. BUT NO GUARANTEE IS GIVEN THAT ALL EXISTING UTILITIES ARE SHOWN OR THAT THE GIVEN LOCATIONS ARE EXACT. CONFIRMATION OF EXISTENCE AND EXACT LOCATION OF ALL SERVICES MUST BE OBTAINED FROM THE INDIVIDUAL UTILITIES BEFORE PROCEEDING WITH CONSTRUCTION.

NO.	REVISIONS	DATE	BY
1	RE-ISSUED FOR CONSTRUCTION	12/10/18	W.Jd
0	ISSUED FOR CONSTRUCTION	11/05/09	W.Jd

**AECOM**

DESIGNED BY: BM      CHECKED BY: [Signature]  
 DRAWN BY: SCK      APPROVED BY: [Signature]

HOR. SCALE: 1:250      RELEASED FOR CONSTRUCTION  
 VERT. SCALE:      DATE

PROFESSIONAL'S SEAL  
 P. SAADLER  
 Member  
 Registered Professional Engineer  
 CONSULTANT DRAWING NO.  
 D265-230-002\_01-E-T001

**THE CITY OF WINNIPEG**  
 WATER AND WASTE DEPARTMENT

REHABILITATION / REPLACEMENT OF THE  
 MID TOWN FEEDERMAIN AT THE  
 ASSINIBOINE RIVER

ELECTRICAL  
 PARTIAL SITE PLAN AND BUILDING FLOOR PLAN

SHEET 13 OF 19  
 CITY DRAWING NUMBER  
**D-12238**    REV 1

BID OPPORTUNITY NO. 830-2012