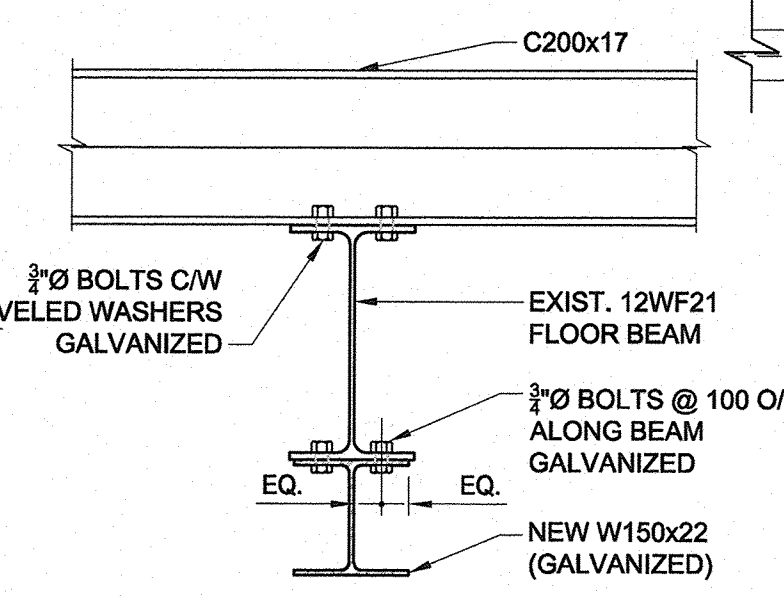
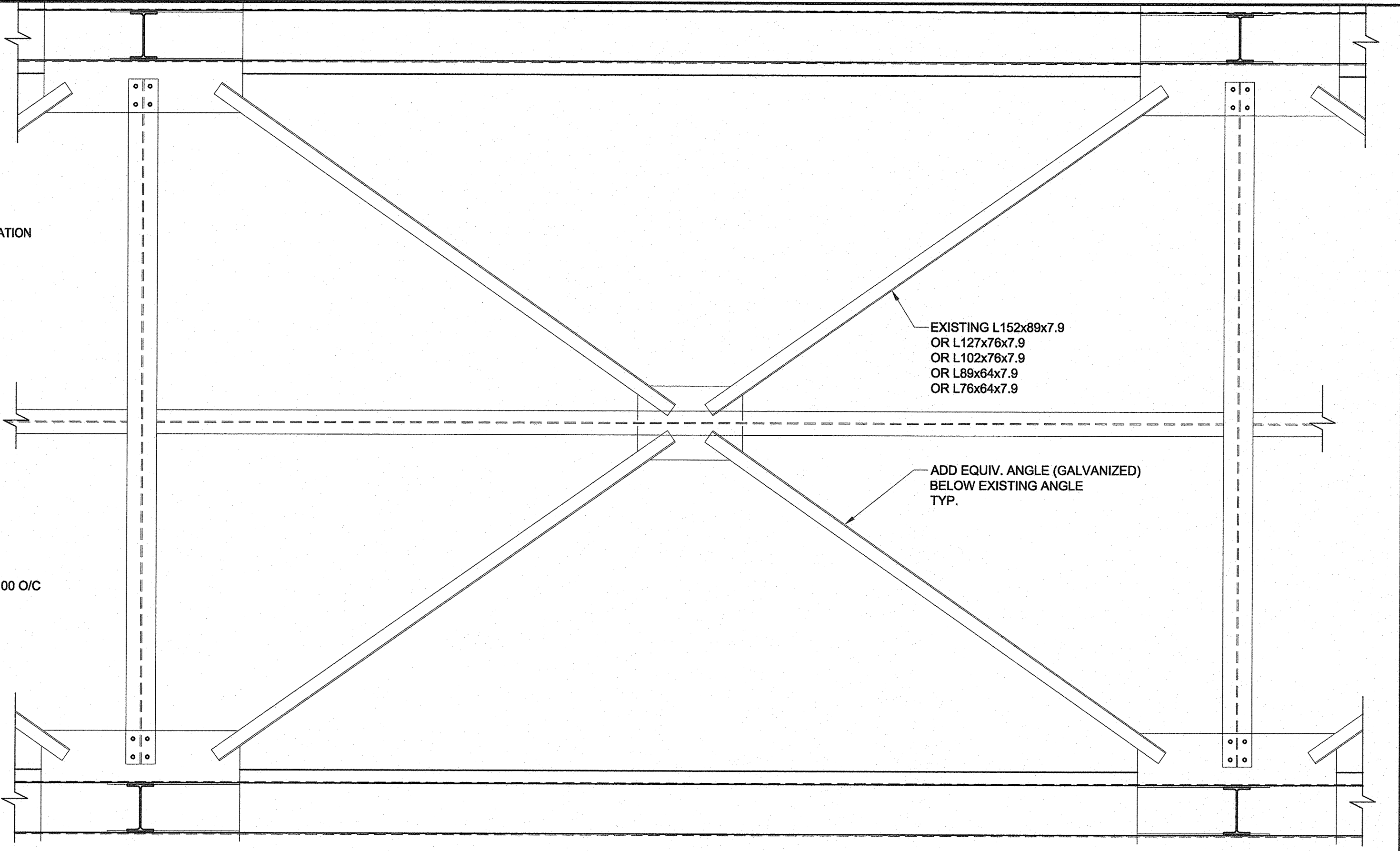


DETAIL G
TIE OFF ANCHOR
SCALE 1:5

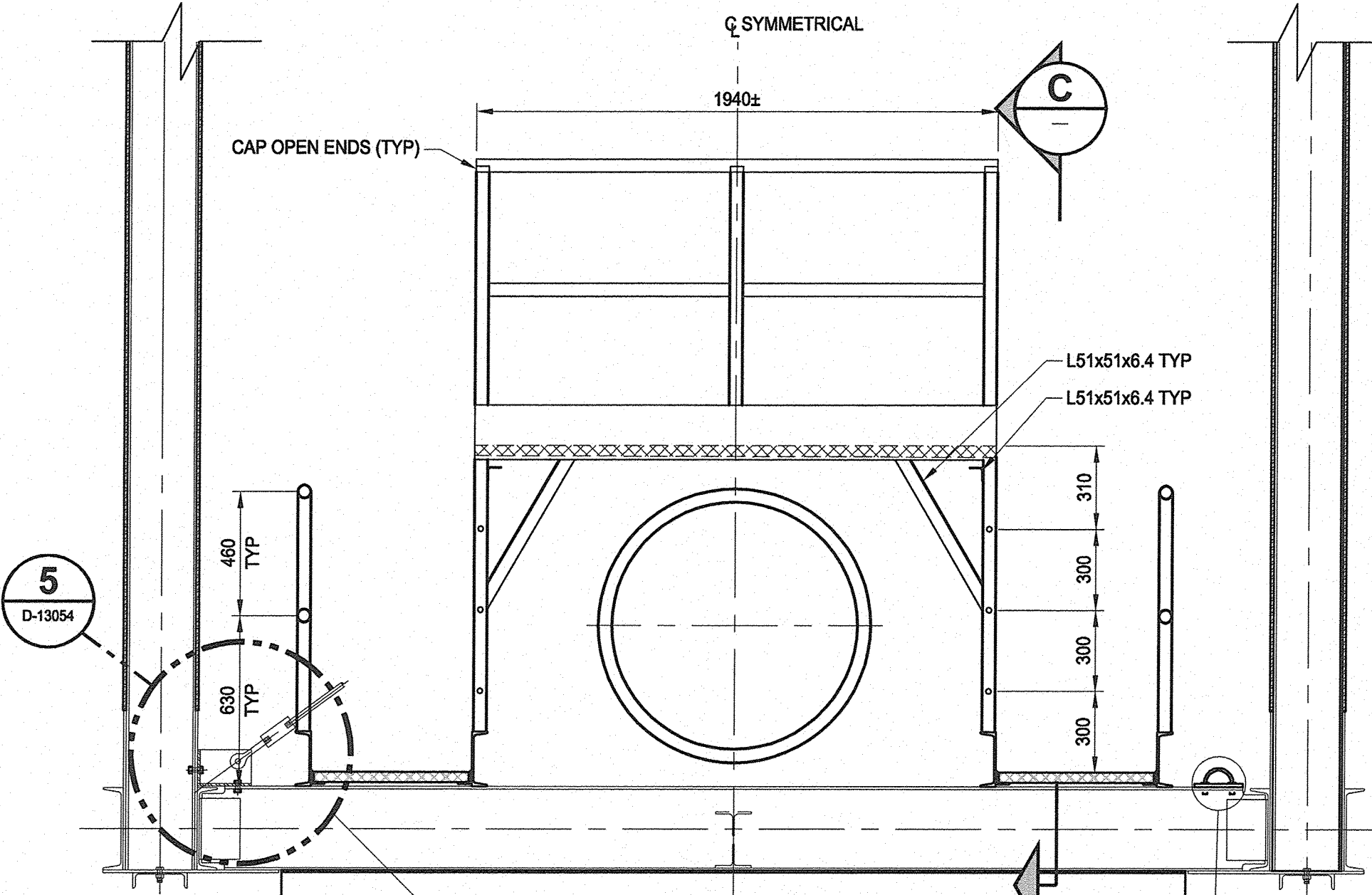


SECTION B
SCALE 1:10

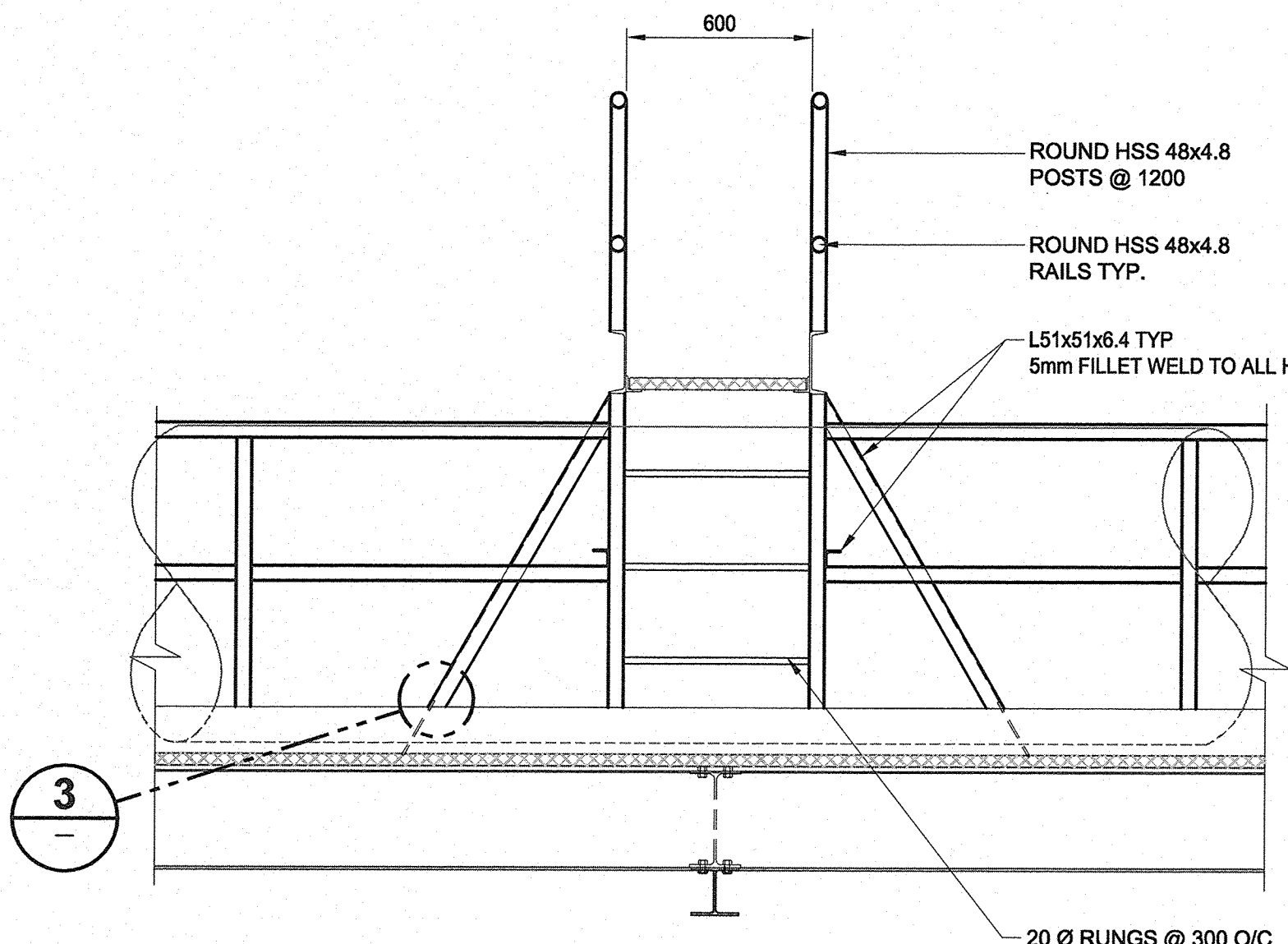


SECTION A
SCALE 1:20

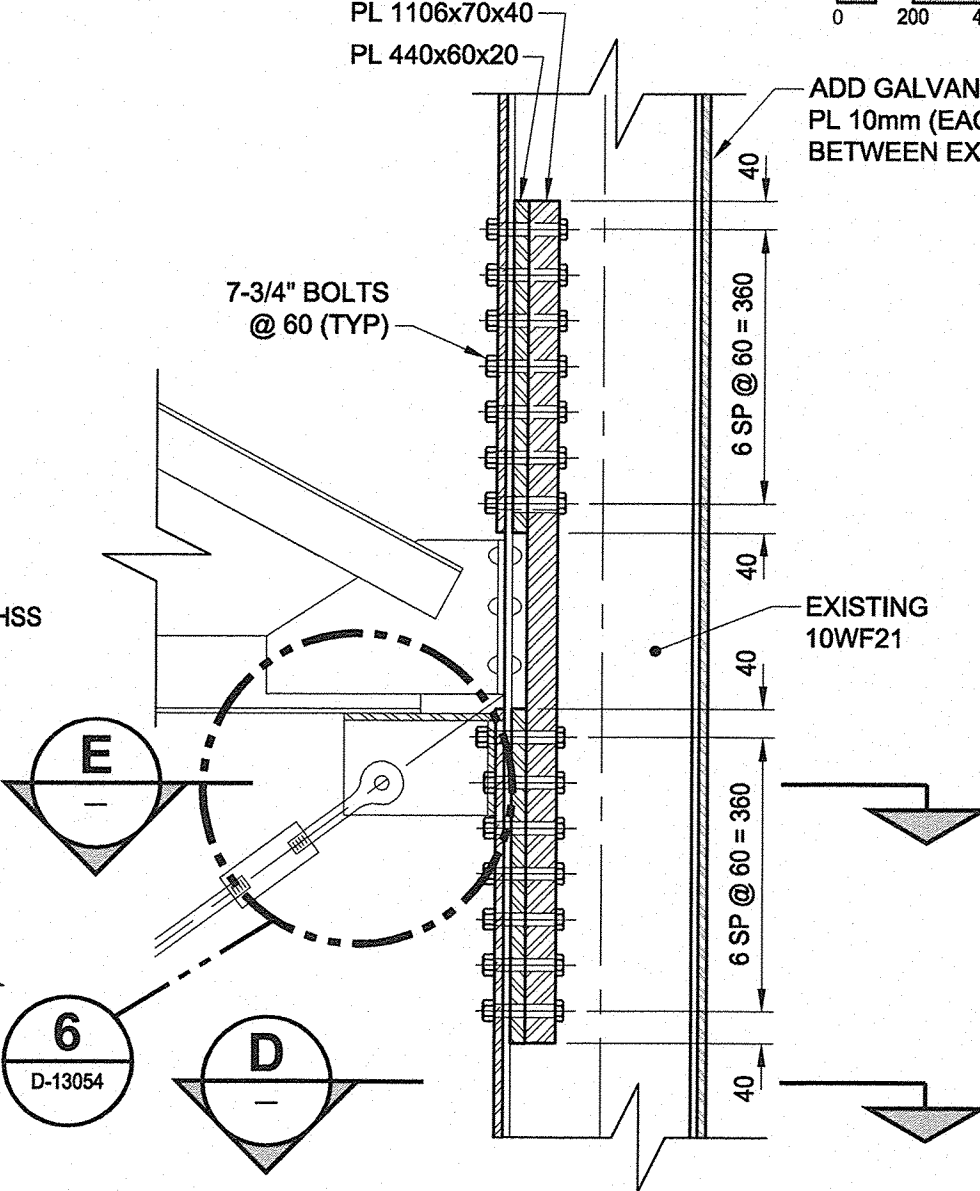
DETAIL 1
SCALE 1:10



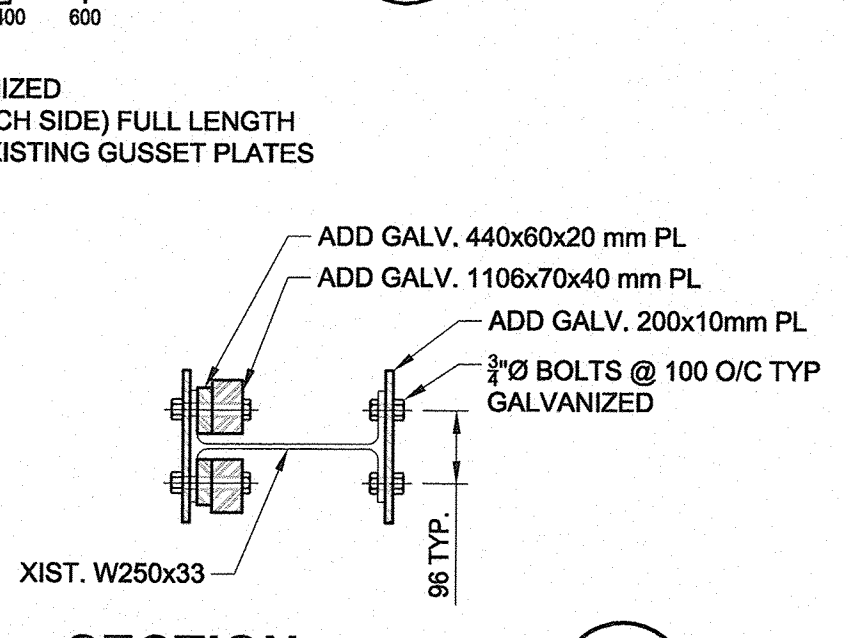
BRIDGE SECTION
SCALE 1:20
AT SERVICE WALKWAY STILE



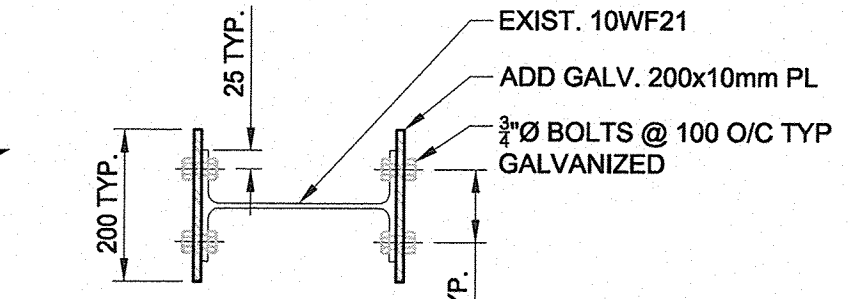
SECTION C
SCALE 1:20



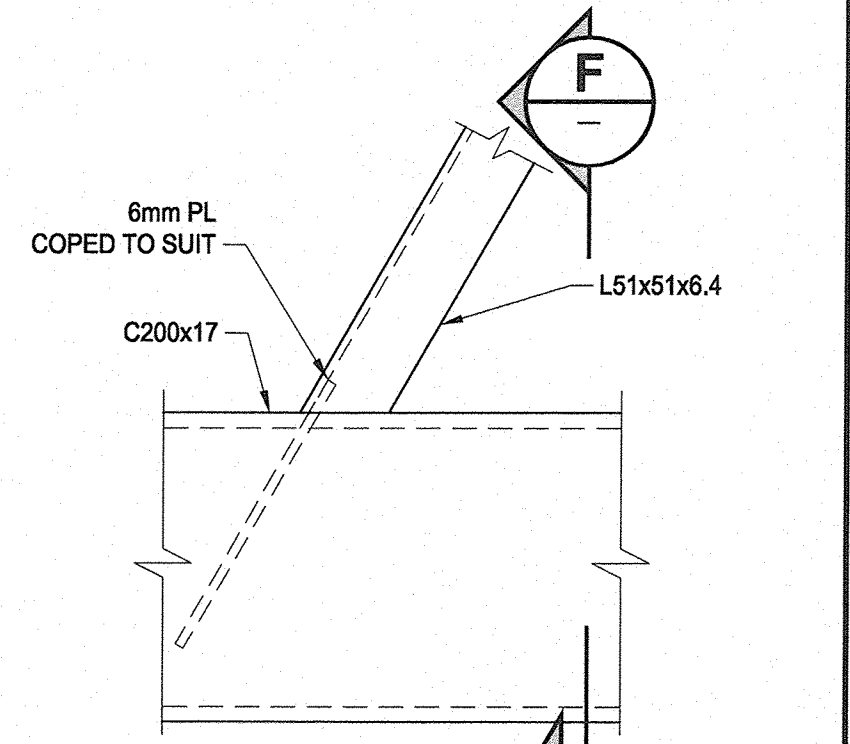
DETAIL 2
SCALE 1:10



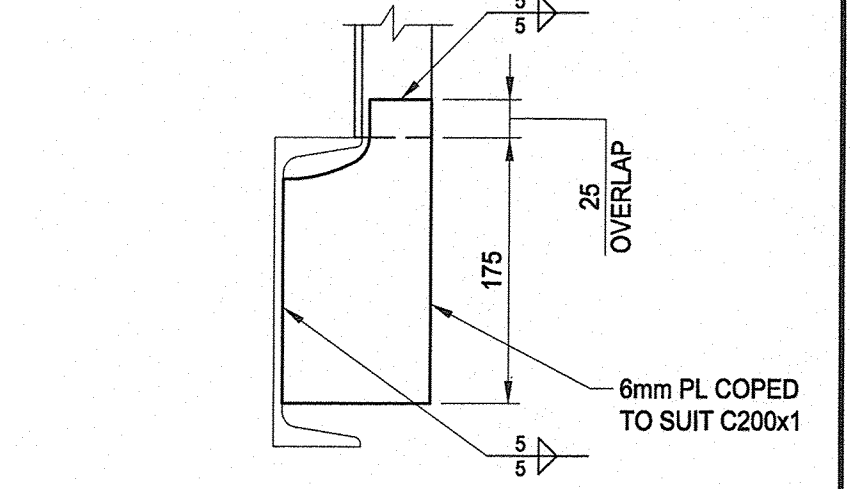
SECTION E
SCALE 1:10



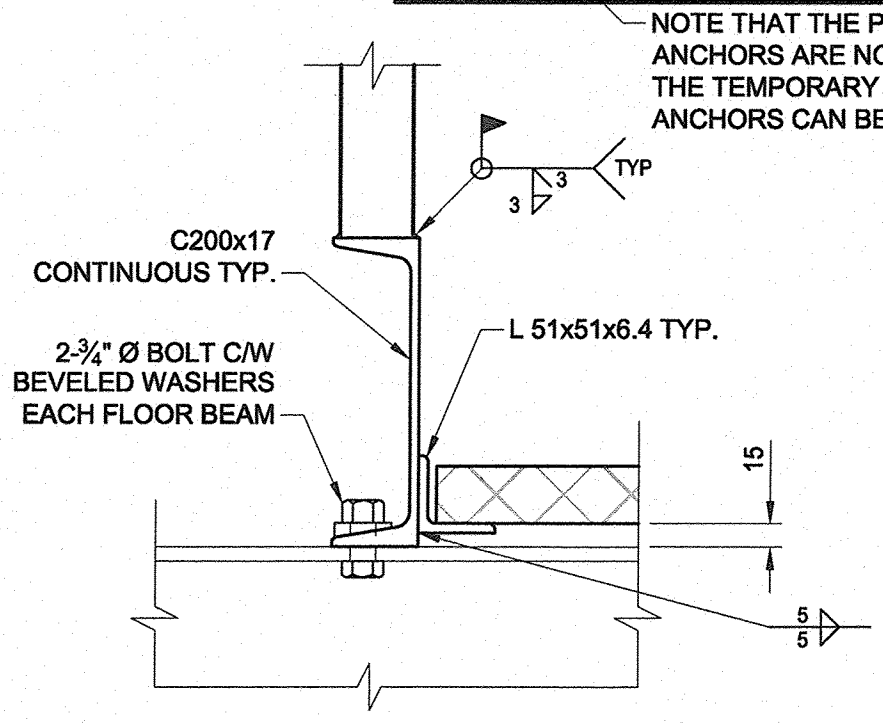
SECTION D
SCALE 1:10



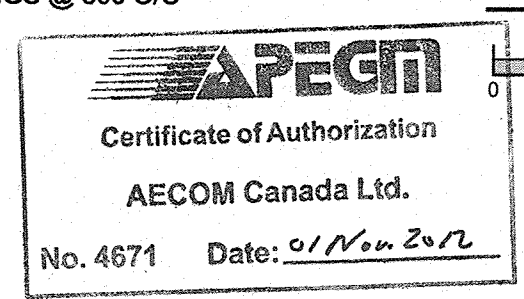
DETAIL 3
SCALE 1:5



SECTION F
SCALE 1:5



DETAIL 4
SCALE 1:5



NOTE: REFER TO GENERAL NOTES ON SHEETS D-12232 AND D-12233

BID OPPORTUNITY NO. 830-2012

LOCATION APPROVED UNDERGROUND STRUCTURES

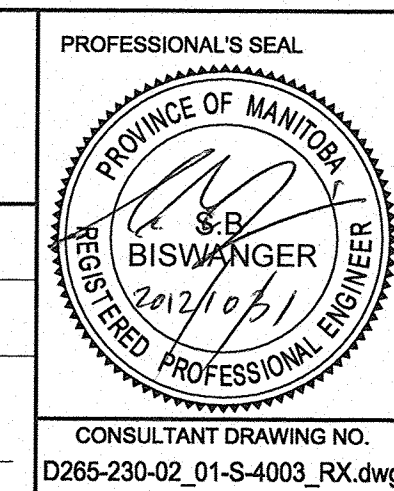
| | | |
|----------------------|------|-----------|
| SUPR. U/G STRUCTURES | DATE | COMMITTEE |
| | | |

NOTE:
LOCATION OF UNDERGROUND STRUCTURES AS SHOWN ARE BASED ON THE BEST INFORMATION AVAILABLE. BUT NO GUARANTEE IS GIVEN THAT ALL EXISTING UTILITIES ARE SHOWN OR THAT THE GIVEN LOCATIONS ARE EXACT. CONFIRMATION OF EXISTENCE AND EXACT LOCATION OF ALL SERVICES MUST BE OBTAINED FROM THE INDIVIDUAL UTILITIES BEFORE PROCEEDING WITH CONSTRUCTION.

| | | | |
|-----|----------------------------|----------|----|
| 1 | RE-ISSUED FOR CONSTRUCTION | 12/10/31 | KC |
| 0 | ISSUED FOR CONSTRUCTION | 11/05/09 | KC |
| NO. | REVISIONS | YYMMDD | BY |

AECOM

| | | | |
|-------------|----------|---------------------------|--------|
| DESIGNED BY | FT/ARB | CHECKED BY | SBB/KC |
| DRAWN BY | DJH | APPROVED BY | EBL |
| HOR. SCALE | AS NOTED | RELEASED FOR CONSTRUCTION | |
| VERT. SCALE | AS NOTED | | |
| DATE | | DATE | |



THE CITY OF WINNIPEG WATER AND WASTE DEPARTMENT

REHABILITATION / REPLACEMENT OF THE MID TOWN FEEDERMAIN AT THE ASSINIBOINE RIVER

STRUCTURAL DETAILS I

SHEET 8 OF 19
CITY DRAWING NUMBER
REV 1
D-12234