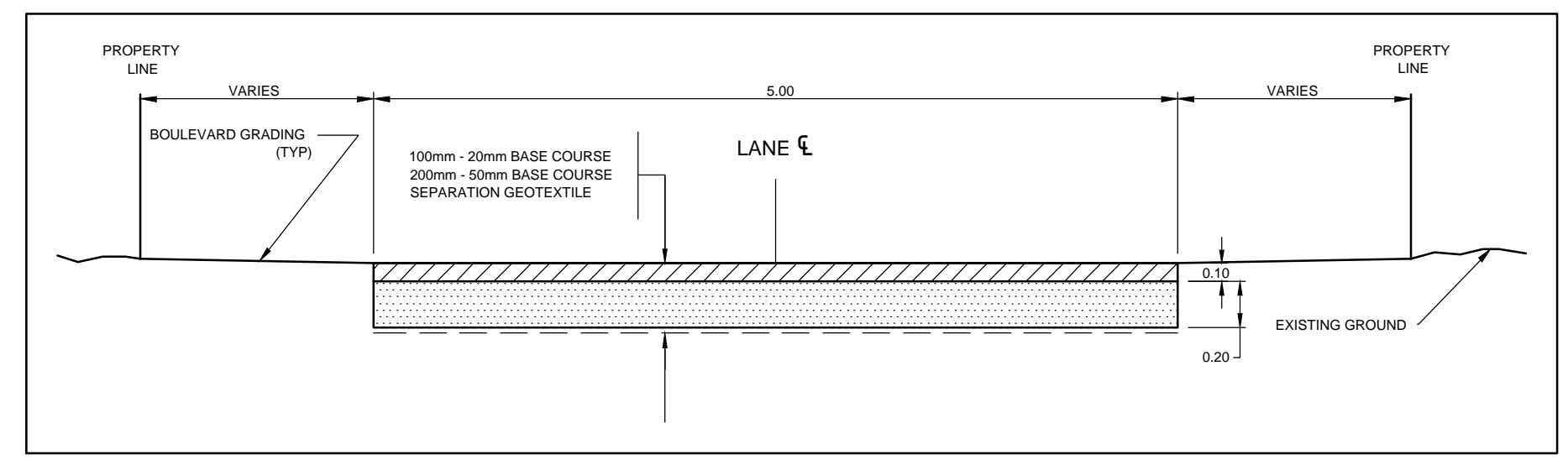
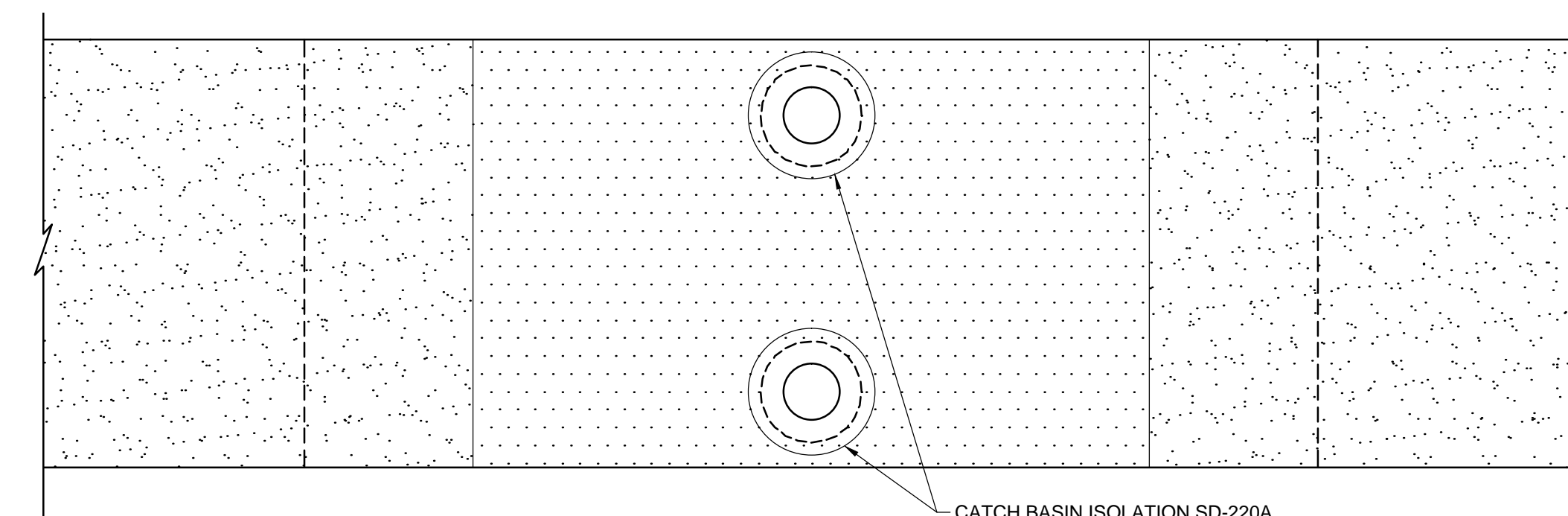


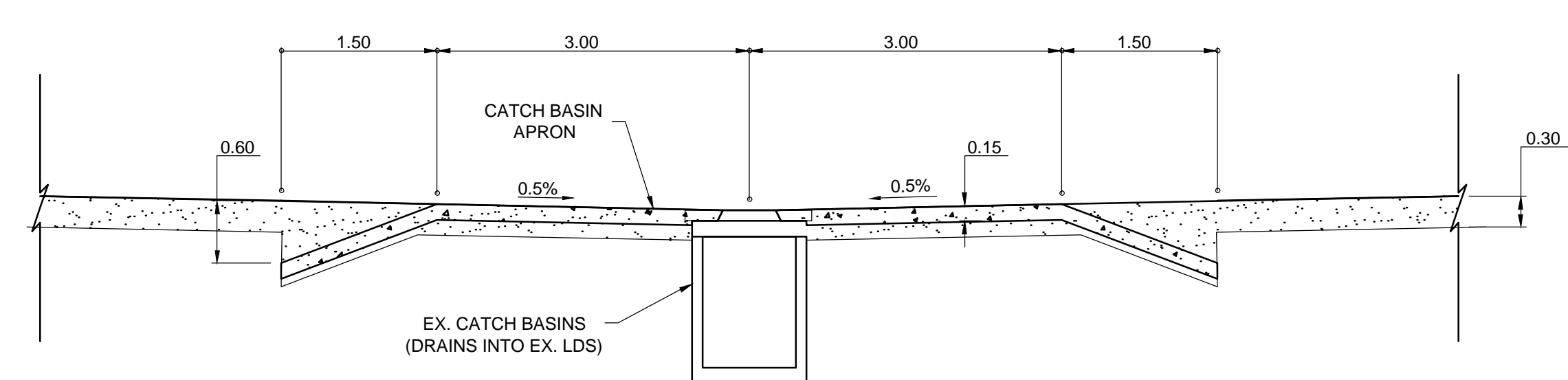
TYPICAL 5.00m LANE CROSS SECTION W / ENVIROGRID
N.T.S



TYPICAL 5.00m LANE CROSS SECTION
N.T.S



CATCH BASIN ISOLATION SD-220A



CATCH BASIN APRON DETAIL
N.T.S

"Description of property limits, and existing and/or proposed features relative to these limits as shown on this drawing do not represent a Legal Survey. GENIVAR makes no representation or guarantee that the property limit information is accurate. GENIVAR accepts no responsibility for damages, if any, suffered by any third party as a result of decisions made or actions based on this drawing."

WATERMAIN		M.T.S.		WATERMAIN	
HYDRANT	+	TRAFFIC SIGNAL	+	VALVE	X
VALVE	⊗	CONCRETE/ASPHALT	▬	LAND DRAINAGE SEWER	▬
CURB STOP	⊙	SIDEWALK	▬	WASTE WATER SEWER	▬
WASTE WATER SEWER	▬	CURB RAMP	▬	CENTERLINE	▬
LAND DRAINAGE SEWER	▬	PROPERTY LINE	▬	SOUTH & EAST GUTTER	▬
C.B. LEAD	▬	ELEVATIONS	(32.000)	NORTH & WEST GUTTER	▬
MANHOLE	⊙	TEST HOLE LOCATION	⊙TH#		
CATCH BASIN	⊙				
GAS	▬				
HYDRO	▬				
EXISTING	LEGEND - PLAN	PROPOSED	EXISTING	LEGEND - PROFILE	PROPOSED

LOCATION APPROVED UNDERGROUND STRUCTURES

SUPV. U/G STRUCTURES DATE COMMITTEE

NOTE:
LOCATION OF UNDERGROUND STRUCTURES AS SHOWN ARE BASED ON THE BEST INFORMATION AVAILABLE BUT NO GUARANTEE IS GIVEN THAT ALL EXISTING UTILITIES ARE SHOWN OR THAT THE GIVEN LOCATIONS ARE EXACT. CONFIRMATION OF EXISTENCE AND EXACT LOCATION OF ALL SERVICES MUST BE OBTAINED FROM THE INDIVIDUAL UTILITIES BEFORE PROCEEDING WITH CONSTRUCTION.

NO.	REVISIONS	DATE	BY
1	C.O.W. REVIEW SUBMISSION	20/09/12	R.H.

GENIVAR
10 PRAIRIE WAY WINNIPEG, MANITOBA R2J 3J8
PH: (204)-477-6650 FAX: (204)-474-2864

DESIGNED BY: R.H. CHECKED BY: S.M.
DRAWN BY: R.H. APPROVED BY: I.McK.
HOR. SCALE: 1:500 RELEASED FOR CONSTRUCTION
VERT. SCALE: - DATE: SEPTEMBER 2012

ENGINEER'S SEAL
CONSULTANT DRAWING NO. 121-23601-00 -02

THE CITY OF WINNIPEG
PUBLIC WORKS DEPARTMENT

2013 GRANULAR LANE IMPROVEMENT PROGRAM - CONTRACT 1
RUE AUBERT / RUE LA VERENDRYE LANE
FROM RUE ST. JOSEPH TO RUE LANGEVIN
GRANULAR LANE

DRAWING NO. 755-2012-02
SHEET 2 OF 9

