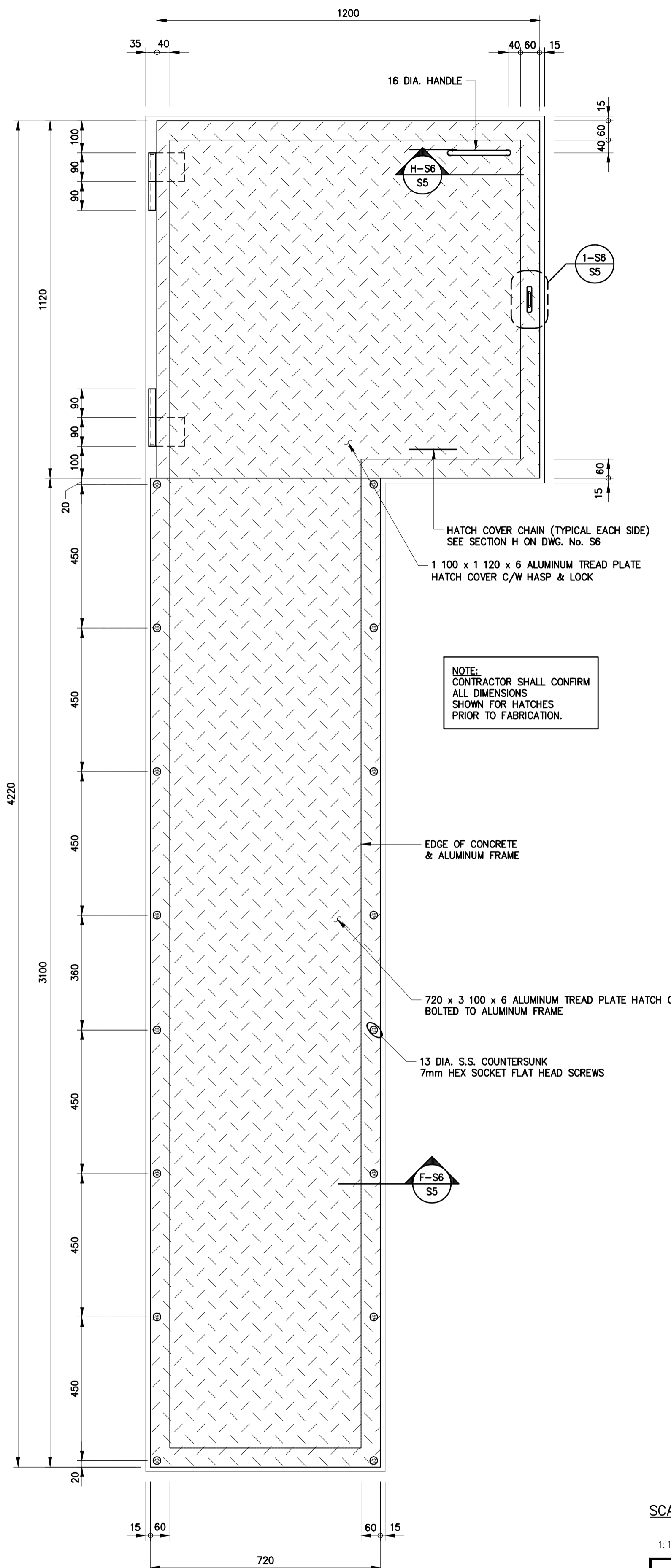
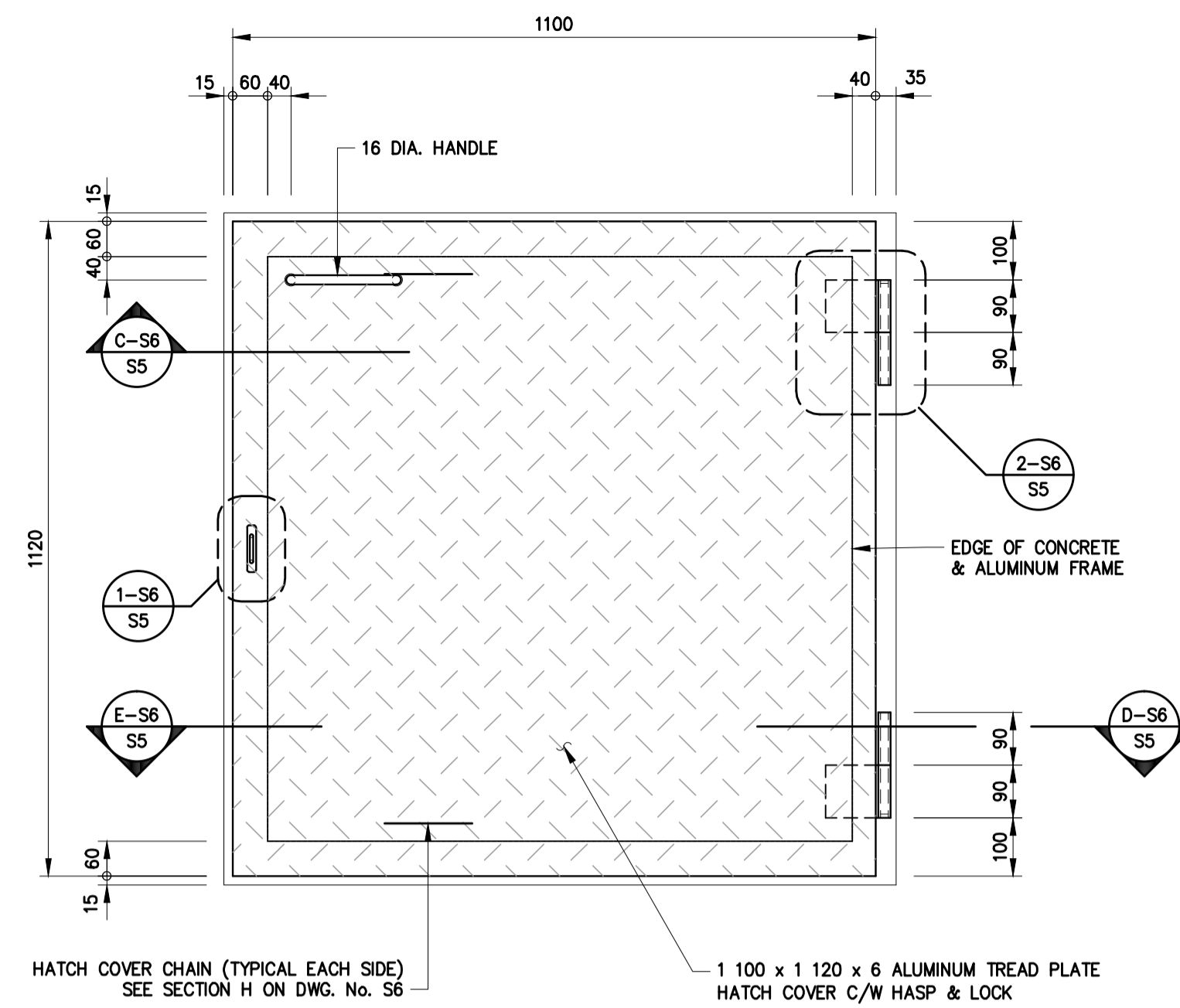


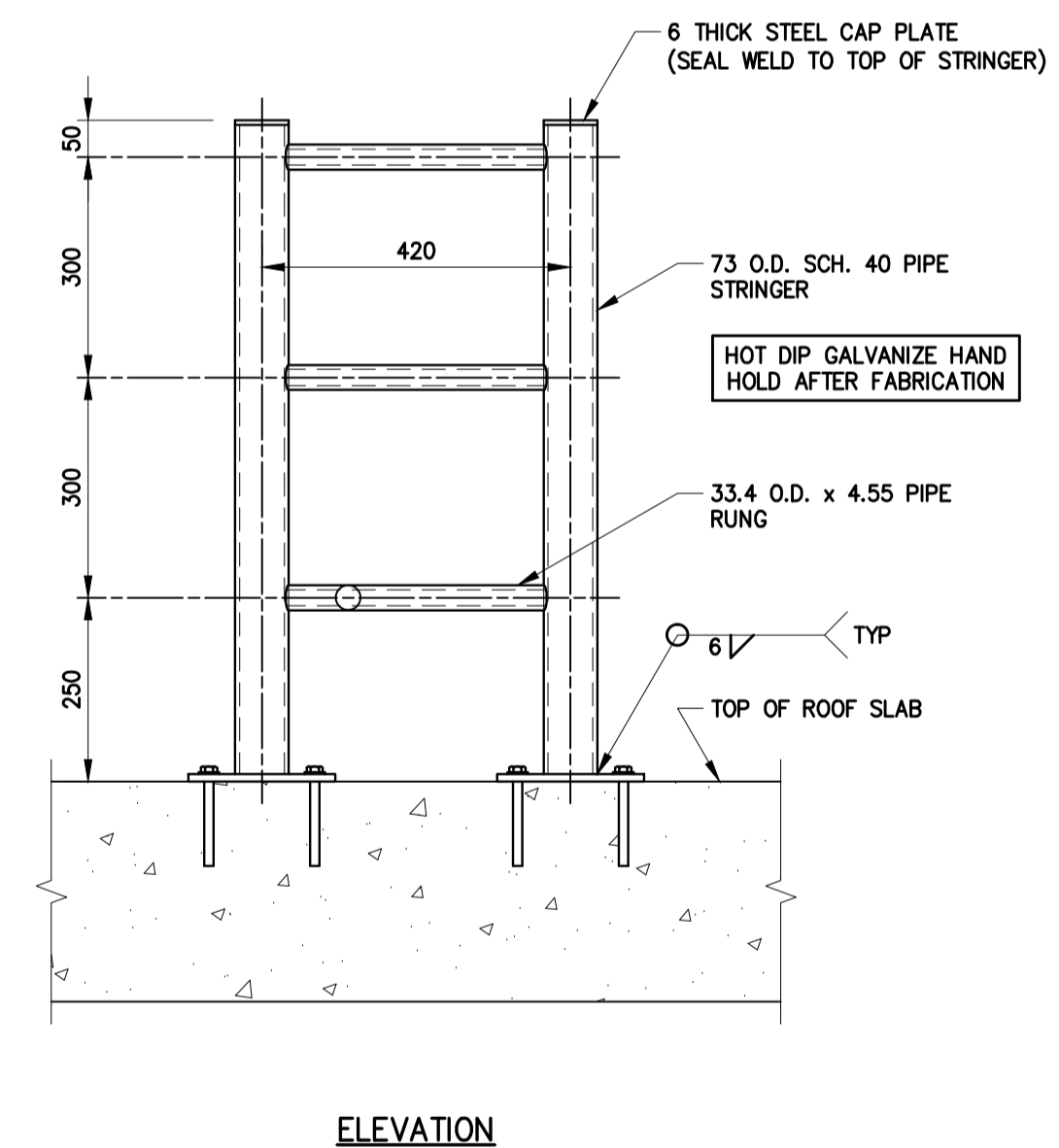
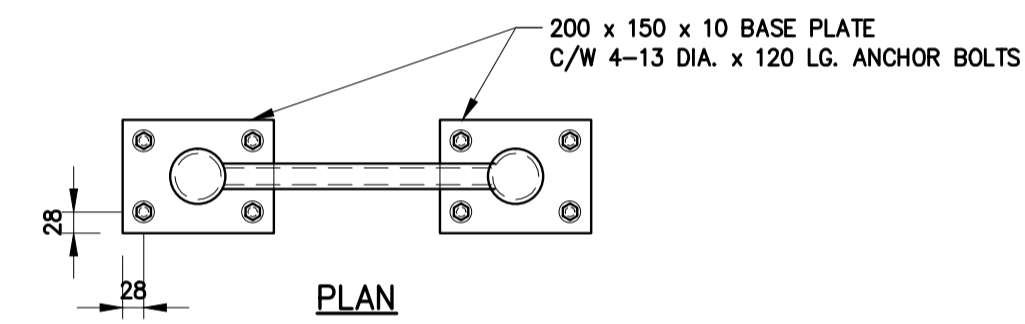
DETAIL 1-S6/S5
1:10



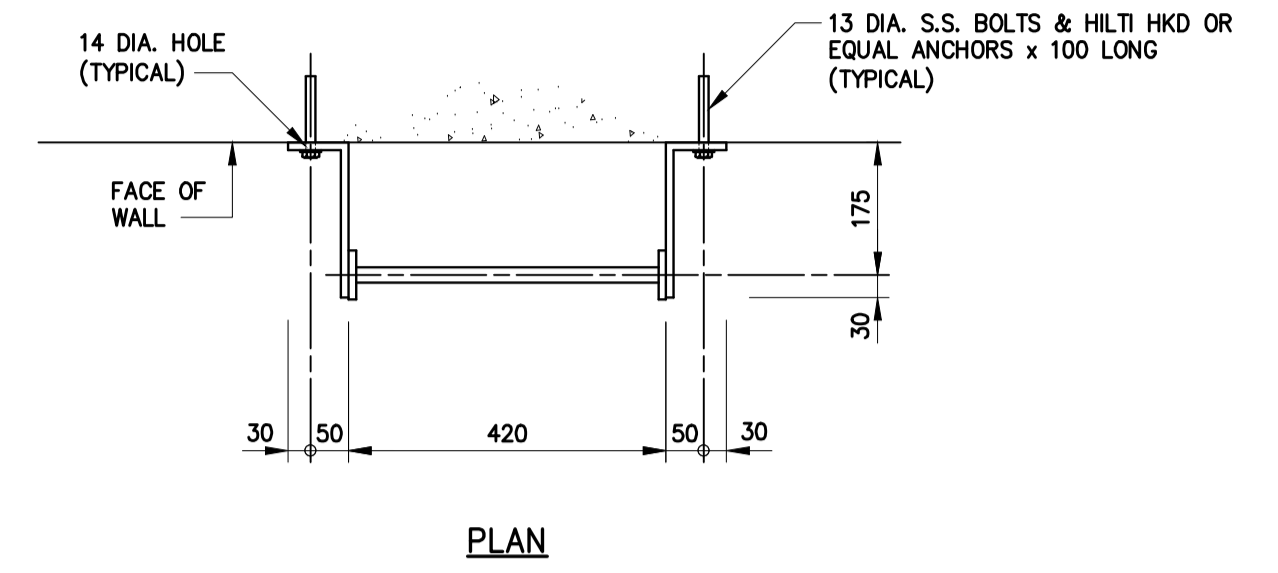
DETAIL 2-S6/S5
1:10



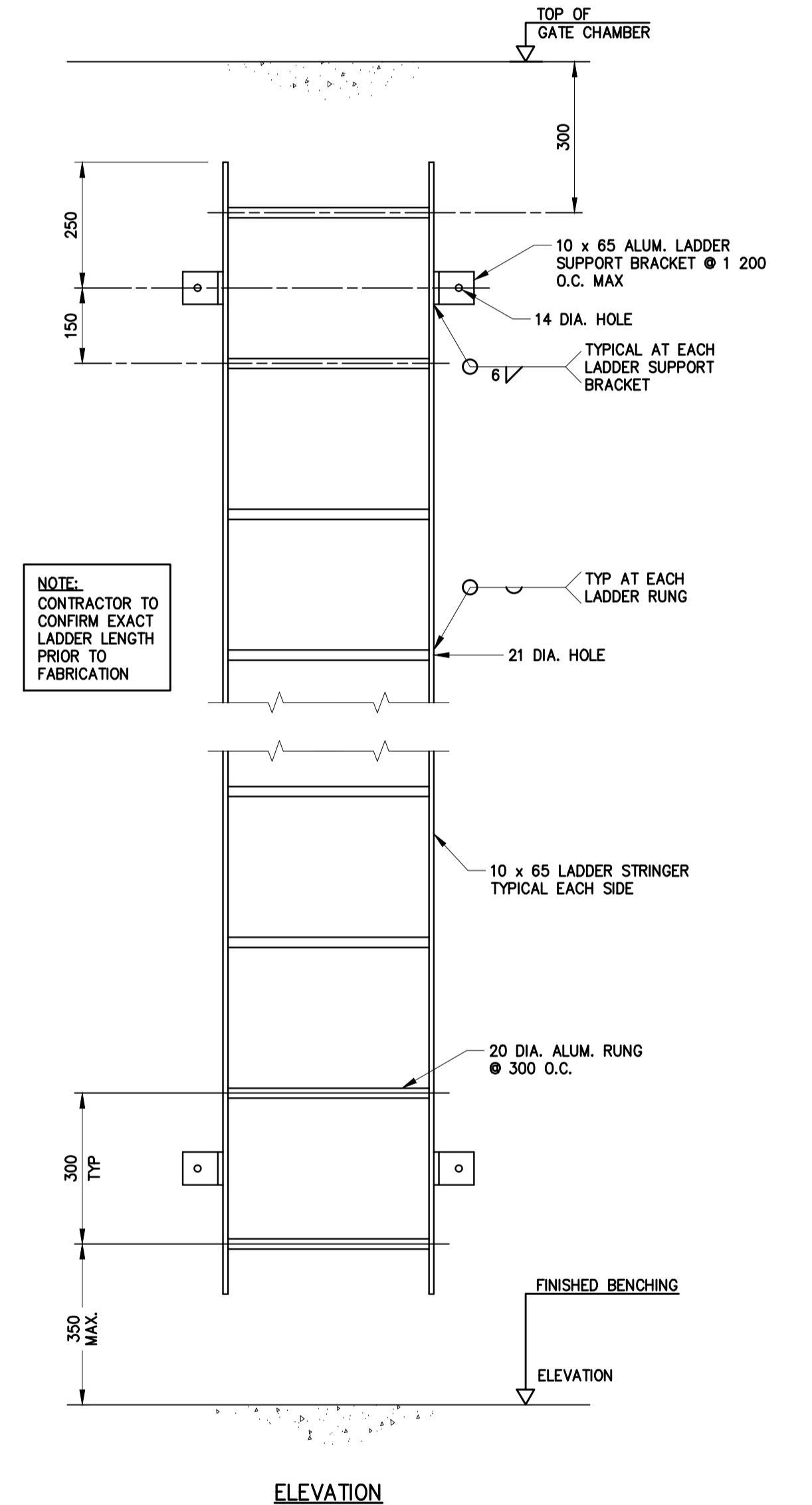
DETAIL 3-S6/S5
1:10



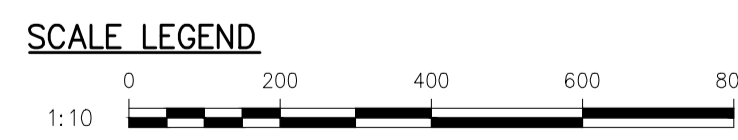
HAND HOLD DETAIL 4-S6/S5
1:5



PLAN



LADDER DETAIL 5-S6/S5
1:10



NOTE: These design documents are prepared solely for the use by the party with whom the design professional has entered into a contract and there are no representations of any kind made by the design professional to any party with whom the design professional has not entered into a contract.

METRIC
WHOLE NUMBERS INDICATE MILLIMETRES
DECIMALIZED NUMBERS INDICATE METRES

DESIGNED BY MM		CHECKED BY EH	
DRAWN BY KB		APPROVED BY JPL	
HOR. SCALE AS NOTED		RELEASED FOR CONSTRUCTION	
VERT. SCALE AS NOTED			
0	ISSUED FOR TENDER	12.10.05	EH
No.	REVISIONS	DATE	BY
		12.10.05	
		DATE	12.10.05

ENGINEER'S SEAL

 E. HO
 Member 22317
 REGISTERED PROFESSIONAL ENGINEER

THE CITY OF WINNIPEG
 WASTE AND WATER DEPARTMENT

 CONSULTANT DRAWING No.: 5512082-S5
 SHEET 7 OF 8
 CITY DRAWING No.: LD-6035
 OUTFALL GATE CHAMBER UPGRADES
RIVERGATE
LDS OUTFALL GATE CHAMBER
 ACCESS HATCH DETAILS (SHEET 1 OF 2)

APEGM
 Certificate of Authorization
 MMM Group Limited
 No. 4531 Date: 12.10.05

Project: C-0810-10-00-00-R1 - Line: Standard - Intersect:
 File: P:\05\2001-05\2009\5512082 - Rivergate LDS Outfall - S2-S5 Concrete, Reinf. Access Hatch 12/10/01.dwg | Layout: 7 Access Hatch Details (Sheet 1 of 2)