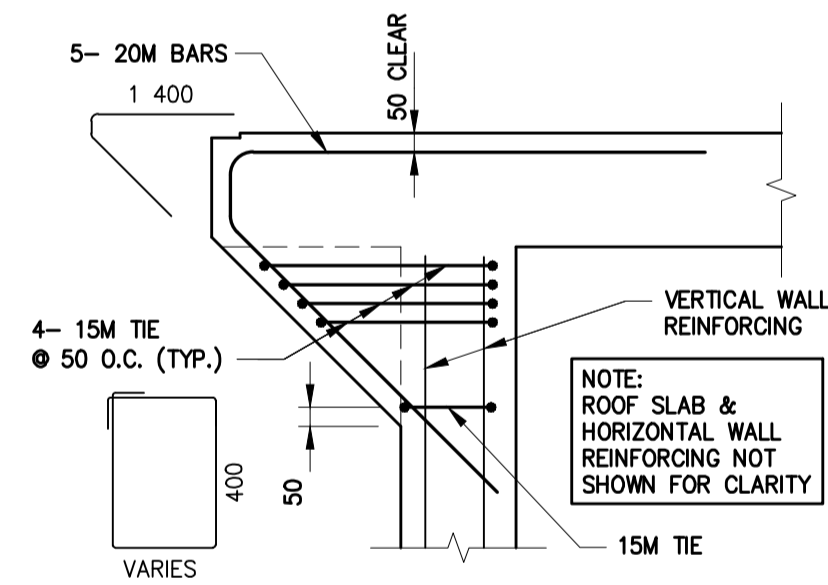
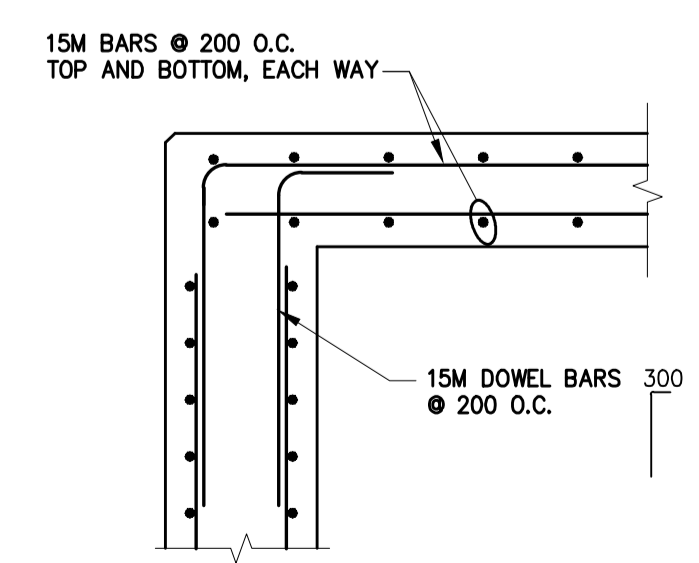


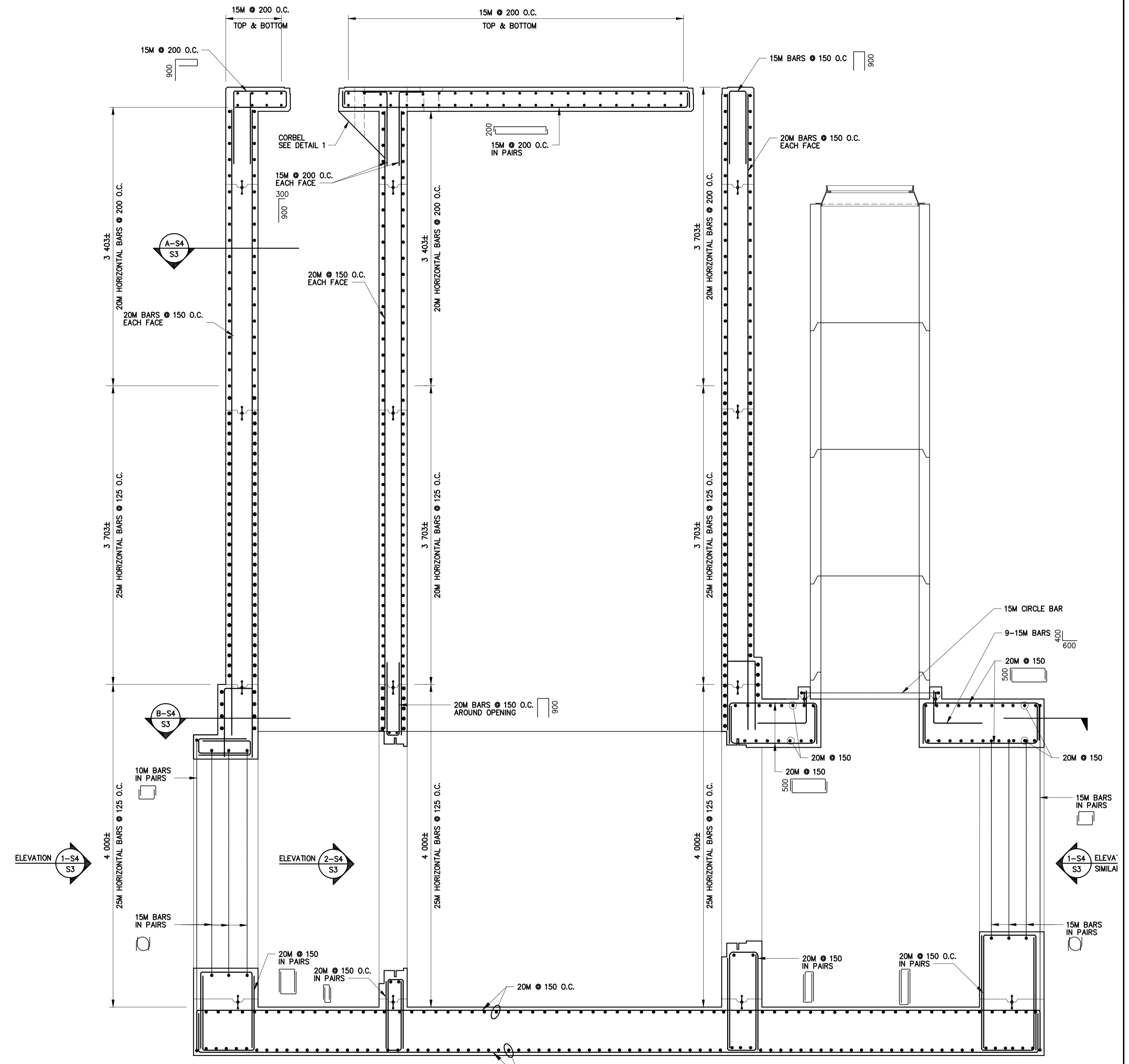
ROOF SLAB REINFORCING PLAN
SEE DRAWING No. S4 FOR MANHOLE CHAMBER ROOF REINFORCING
1:30



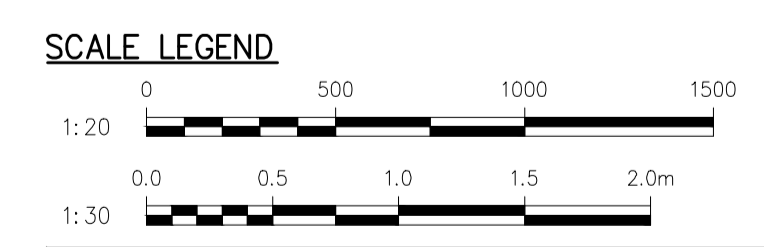
CORBEL DETAIL 1-S3
1:20



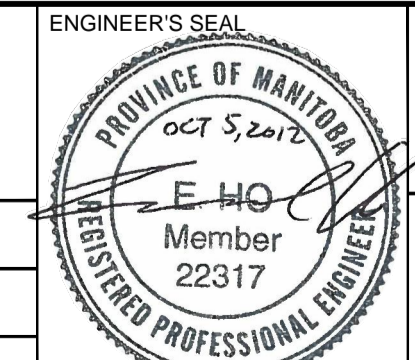
SECTION B-S3
1:20



SECTION A-S3
1:30



METRIC
WHOLE NUMBERS INDICATE MILLIMETRES
DECIMALIZED NUMBERS INDICATE METRES



THE CITY OF WINNIPEG
WASTE AND WATER DEPARTMENT
Winnipeg

OUTFALL GATE CHAMBER UPGRADES
RIVERGATE
LDS OUTFALL GATE CHAMBER
REINFORCING DETAILS (SHEET 1 OF 2)

CONSULTANT DRAWING No.: 5512082-S3
SHEET 5 OF 8
CITY DRAWING No.: LD-6033

MMM GROUP		MM Group Limited Suite 111 - 93 Lombard Ave. Winnipeg, MB R3B 3B1 T. 204.943.3178 F. 204.943.4948 www.mmm.ca	
DESIGNED BY	MM	CHECKED BY	EH
DRAWN BY	KB	APPROVED BY	JPL
HOR. SCALE	AS NOTED	RELEASED FOR CONSTRUCTION	
VERT. SCALE	AS NOTED		
BID OPPORTUNITY:	745-2012		
PLOT DATE:	12.10.05		
No.	REVISIONS	DATE	BY
0	ISSUED FOR TENDER	12.10.05	EH
		12.10.05	

Printed: October 6, 2012, 11:42:39 AM | User: Sward, B. | Intersect: | Layout: 5 Reinforcing Details (Sheet 1 of 2)
 File: P:\5512082-0512082 R1 - LDS Outfall - S2-S5 Concrete, Reinf. Access Hatch 12/10/11.dwg

NOTE:
These design documents are prepared solely for the use by the party with whom the design professional has entered into a contract and there are no representations of any kind made by the design professional to any party with whom the design professional has not entered into a contract.