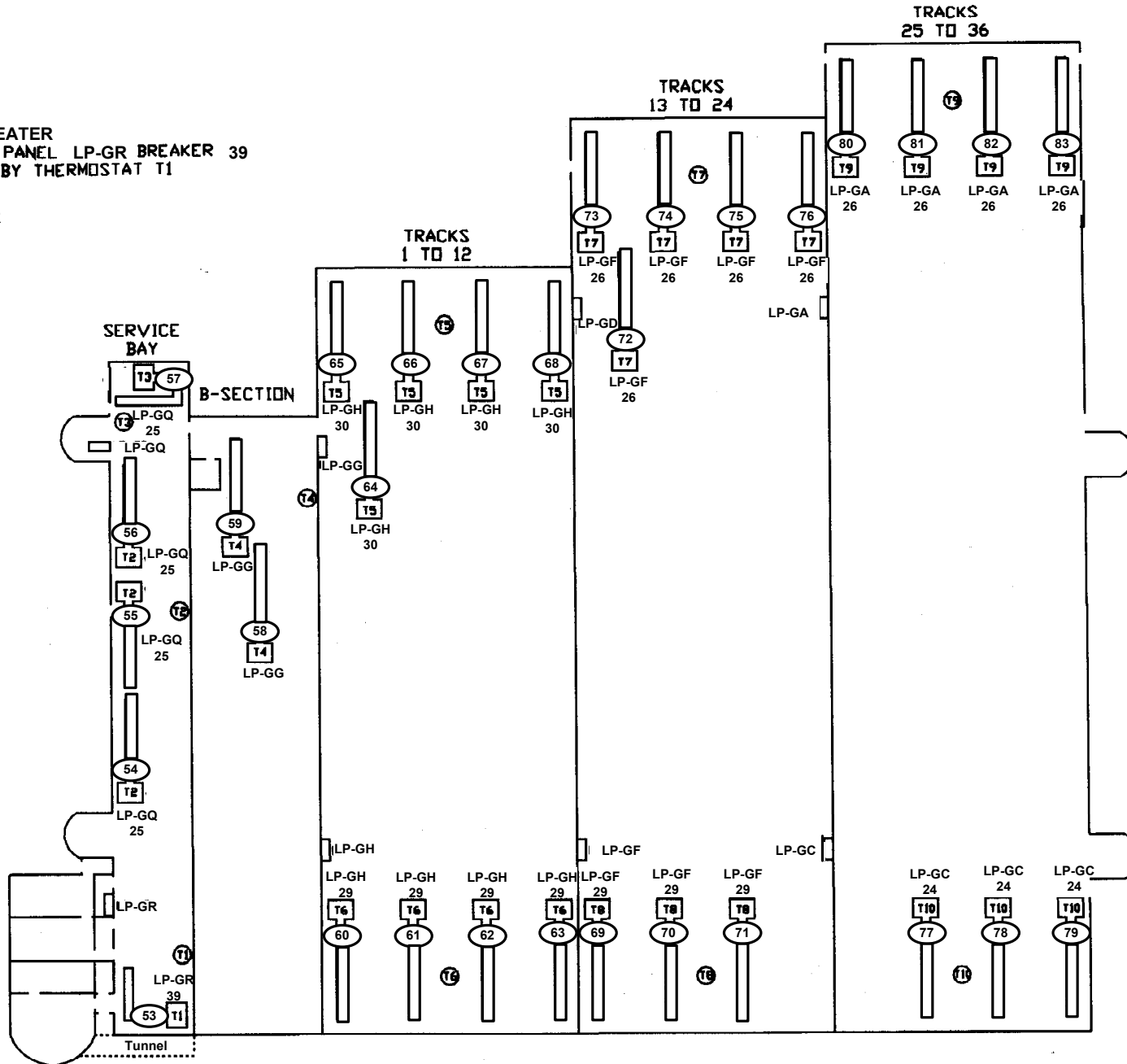


LEGEND

T1 THERMOSTAT

53 **T1** INFRA RED HEATER
POWERED BY PANEL LP-GR BREAKER 39
CONTROLLED BY THERMOSTAT T1

53 UNIT NUMBER



**WINNIPEG TRANSIT
DEPARTMENT**
421 Osborne Street
Winnipeg MB R3L 2A2
Tel: 986-3821 / 479-5430
avecherya@winnipeg.ca

PROJECT
**INSPECTION AND REPAIR
OF HVAC EQUIPMENT AT
WINNIPEG TRANSIT
DEPARTMENT**

SHEET TITLE
**LOCATION OF INFRA RED
HEATERS AT FORT ROUGE
GARAGE
STORAGE TRACKS**

DRAWN BY AV	CHECKED BY AV	APPR. BY
-----------------------	-------------------------	----------

eFILE 742-2012 <u>DRAWING A-4-RO</u>	PROJECT No 742-2012
--	-------------------------------

DATE 2012. 09.26	SCALE NTS
----------------------------	---------------------

SHEET No
A-4