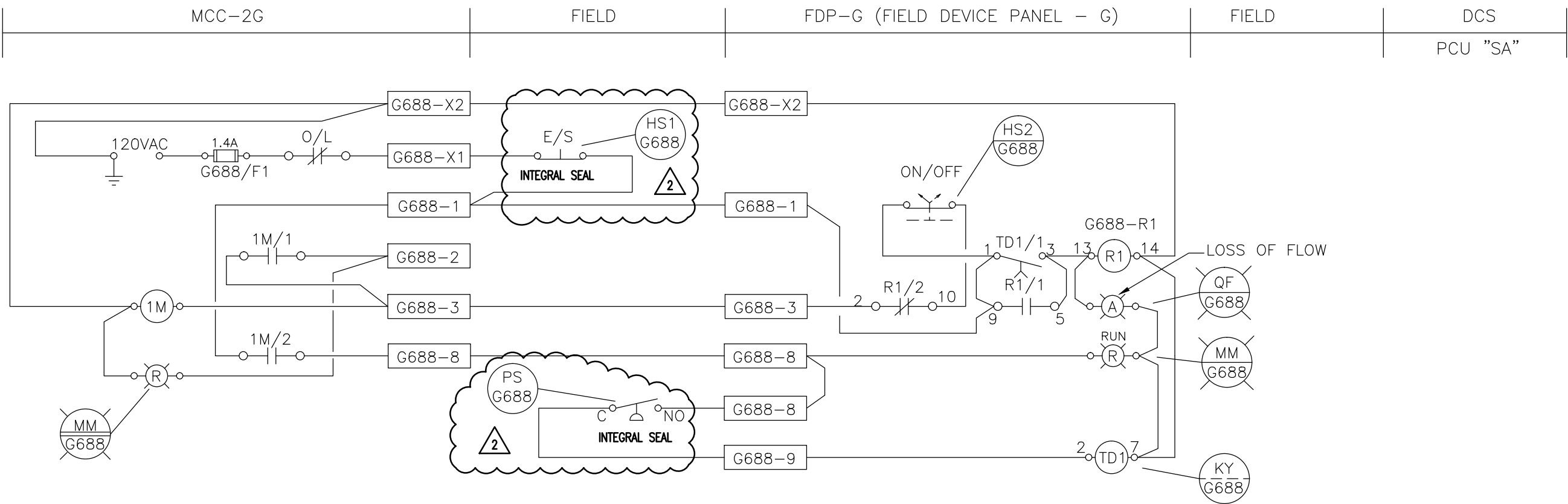
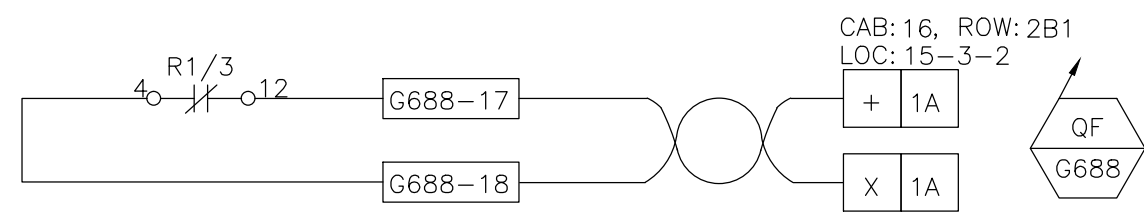
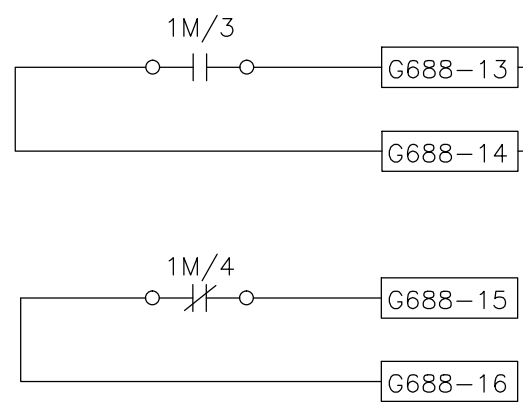


PUMP & SCREEN ROOMS EXHAUST FAN  
LOOP G688-EF



- 1
- 2 HS1, LOCK/OFF/STOP PUSHBUTTON
- 3 HS2, ON/OFF SELECTOR SWITCH
- 4 R1, FAN FAIL RELAY
- 5 QF, LOSS OF FLOW PILOT LIGHT
- 6 MM, RUN INDICATION PILOT LIGHT
- 7 PS, DIFFERENTIAL PRESSURE SWITCH
- 8 KY, TIME DELAY RELAY
- 9
- 10
- 11
- 12
- 13 MM, RUN INPUT TO DCS
- 14
- 15
- 16 QF, COMMON FAIL TO DCS
- 17



<b>SNC-LAVALIN</b>				
SNC-LAVALIN INC. 148 Nature Park Way Winnipeg, Manitoba Canada R3P 0X7				
DESIGNED: T. CHURCH	APPROVED: C. REIMER			
CHECKED: C. REIMER	DATE: 2012/02/16			
PROJECT No. 112577	SUBDIV. 0113	SUBJECT 47 DD	SERIAL 2222	REV. 2

<b>MacLAREN ENGINEERS INC. WARDROP ENGINEERING INC. ENGINEERING CONSULTANTS</b>				
DESIGNED BY:	RH	DATE:	06/92	BY:
DRAWN BY:	RH	DATE:	09/92	BY:
SCALE:	N.T.S.	DATE:	07/92	BY:
NO. REVISIONS	2	DATE	2012/02/09	BY
	1	DATE	12/93	BY
	0	DATE	09/92	BY
	-	DATE	07/92	BY

ORIGINAL DRAWING  
SEALED BY:  
T. M. CHURCH  
SNC-LAVALIN  
MEMBER # 32682  
2012/02/15  
REV. 02  
CHANGES ONLY

CONSULTANT DWG. NO.  
870012-01-20

**THE CITY OF WINNIPEG**  
WORKS AND OPERATIONS DIVISION  
WATERWORKS, WASTE & DISPOSAL DEPARTMENT

<b>SOUTH END WATER POLLUTION CONTROL CENTER</b>	CITY DWG. NO.
<b>PUMP &amp; SCREEN BUILDING - I &amp; C</b>	SHEET 1 OF 1
<b>HVAC SYSTEMS</b>	
<b>PUMP &amp; SCREEN ROOMS EXHAUST FAN</b>	
<b>LOOP G688</b>	<b>SEP-2126</b>