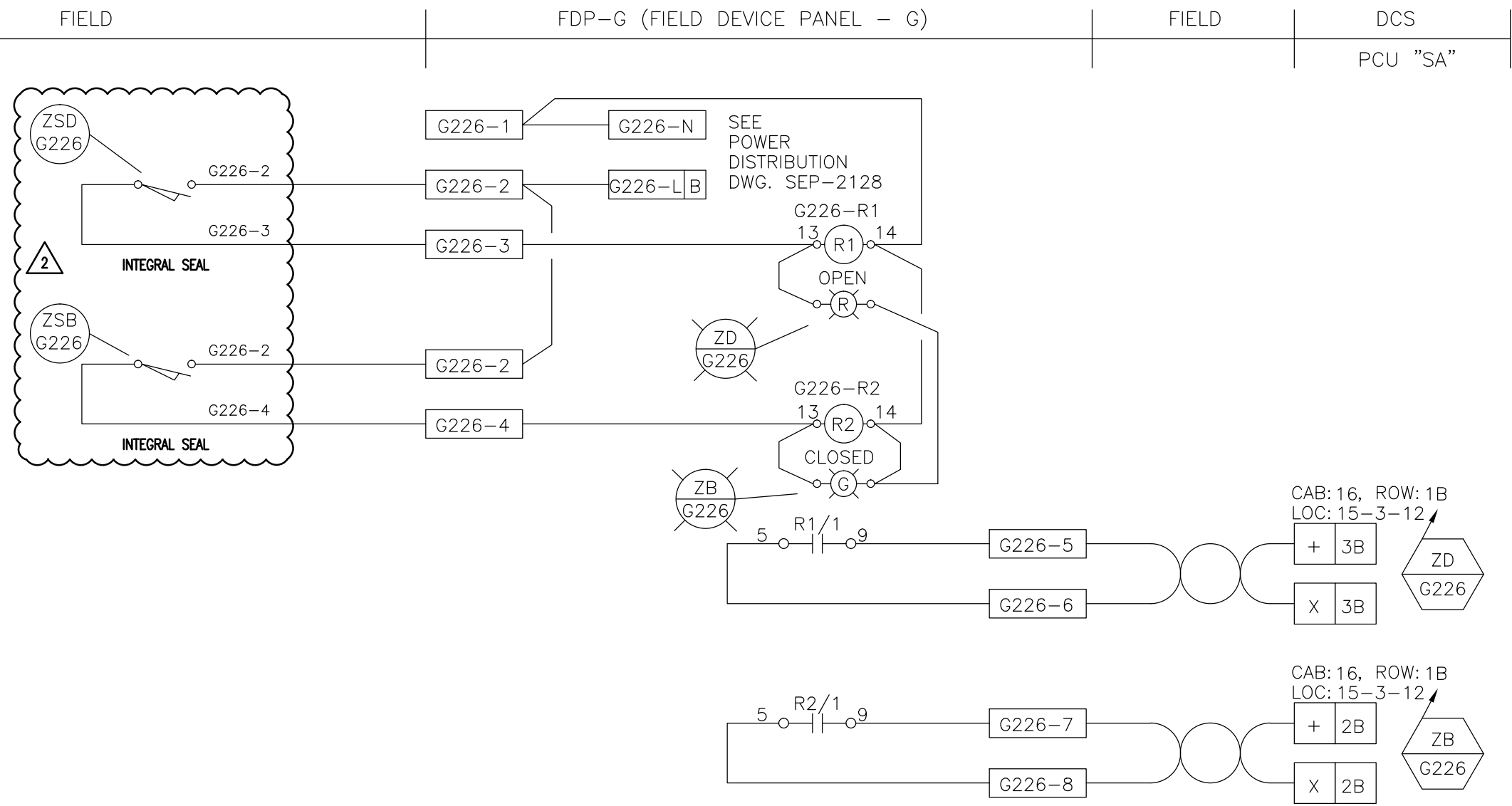


SLUICE GATE POSITION
LOOP G226



- 1
- 2 ZSD,SLUICE GATE OPEN LIMIT SWITCH
- 3 R1,SLUICE GATE OPEN RELAY
- 4
- 5 ZSB,SLUICE GATE CLOSED LIMIT SWITCH
- 6 R2,SLUICE GATE CLOSED RELAY
- 7
- 8 ZD,GATE OPEN INDICATION TO DCS
- 9
- 10
- 11 ZB,GATE CLOSED INDICATION TO DCS
- 12
- 13
- 14
- 15
- 16
- 17



SNC-LAVALIN INC. 148 Nature Park Way Winnipeg, Manitoba Canada R3P 0X7				
DESIGNED:	T. CHURCH		APPROVED:	C. REIMER
CHECKED:	C. REIMER		DATE:	2012/02/16
PROJECT No.	SUBDIV.	SUBJECT	SERIAL	REV.
112577	0113	47 DD	2213	2

MacLAREN ENGINEERS INC. WARDROP ENGINEERING INC. ENGINEERING CONSULTANTS				
				DESIGNED BY: RH
2	ADDED HAZARDOUS SEALS	2012/02/09	TMC	DRAWN BY: RH
1	AS CONSTRUCTED	12/93	B.T.	SCALE: N.T.S.
0	ISSUED FOR CONSTRUCTION	09/92	B.T.	
-	ISSUED FOR REVIEW	07/92	B.T.	
NO.	REVISIONS	DATE	BY	DATE: 06/92

ORIGINAL DRAWING
SEALED BY:
T. M. CHURCH
SNC-LAVALIN
MEMBER # 32682
2012/02/15
REV. 02
CHANGES ONLY

CONSULTANT DWG. NO.
870012-01-20

THE CITY OF WINNIPEG WORKS AND OPERATIONS DIVISION WATERWORKS, WASTE & DISPOSAL DEPARTMENT	
SOUTH END WATER POLLUTION CONTROL CENTER PUMP & SCREEN BUILDING - I & C GRIT TANK #2 SLUICE GATE SLUICE GATE POSITION LOOP G226	CITY DWG. NO. SHEET 1 OF 1 SEP-2048