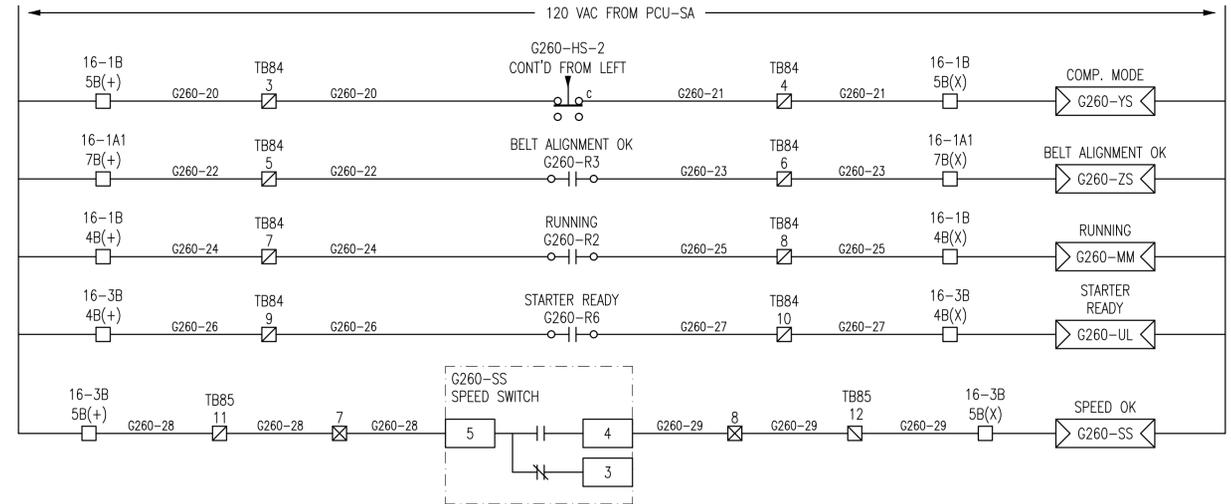
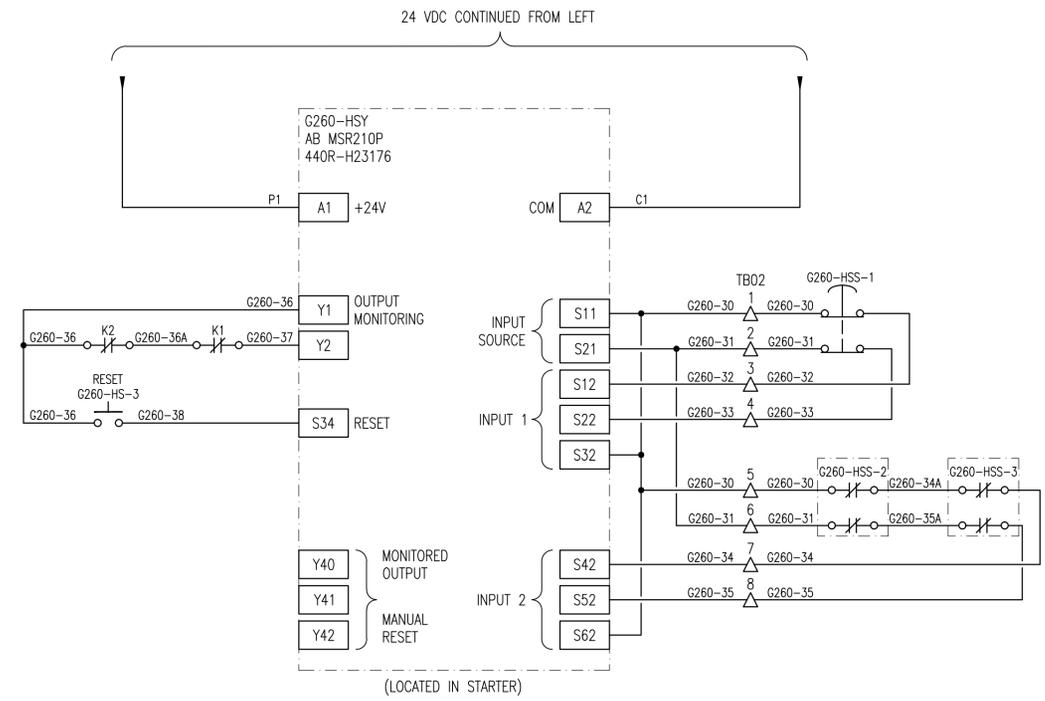
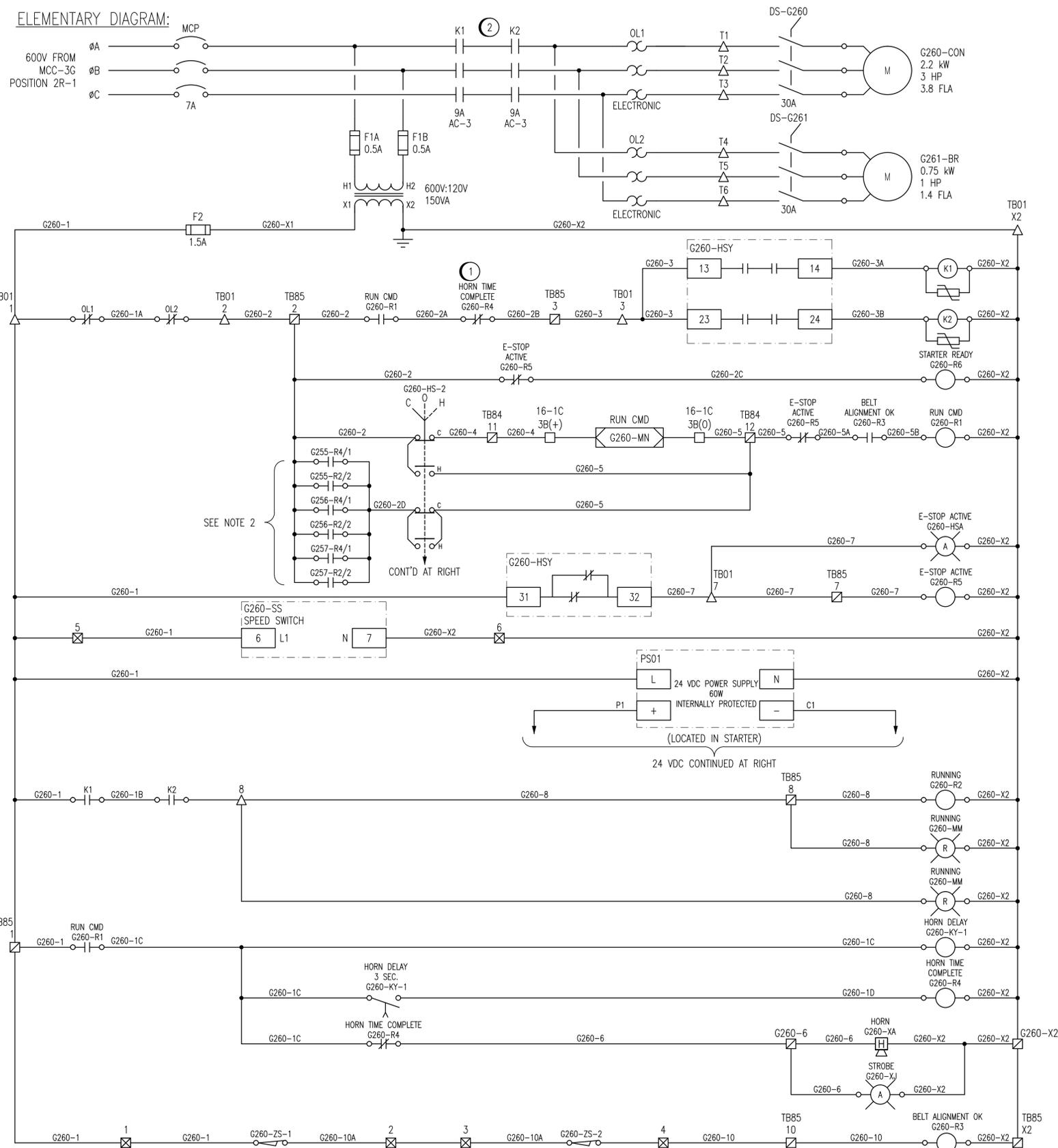


A1 SIZE - 594mm x 841mm
 LAST SAVE: 2012/03/02 - 8:57am
 PATH: M:\112577\0113\4ENG\47ELE\DD - General DWG\1-0102G-E0035-001-00.dwg

ELEMENTARY DIAGRAM:



- CONSTRUCTION NOTES**
1. MODIFY FDP-G AS SHOWN.
 2. REPLACE MCC BUCKET WITH NEW BUCKET (IN NEW LOCATION) CONTAINING SAFETY CONTACTORS.

LEGEND:

△	MCC TERMINAL
□	FDP-G TERMINAL
⊗	JUNCTION BOX TERMINAL
□	DCS CABINET TERMINAL
◀	DCS OUTPUT
▶	DCS INPUT

- NOTES:**
1. THIS DRAWING SUPERCEDES SEP-2070.
 2. BAR SCREEN REVERSE OR HAND OPERATION. SEE BAR SCREEN LOOPS SEP-1220 TO SEP-1228 FOR RELAY COILS.
 3. THIS SCHEMATIC IS BASED UPON THE EXISTING MOTOR CONTROLS, AS SHOWN ON SEP-2070.



00	ISSUED FOR TENDER, BID OPP. 7-2012	2012/02/24	TMC	CJR
NO.	REVISIONS	DATE	DESIGN	CHECK

DESIGNED BY:	T. CHURCH
CHECKED BY:	C. REIMER
DRAWN BY:	M.J. PERSSON
APPROVED BY:	C. REIMER
SCALE:	NTS
RELEASED FOR CONSTRUCTION BY:	N. HARRINGTON
DATE:	2012/01/09
DATE:	2012/02/24
CONSULTANT NO.:	112577-0113-47DD-2231

ENGINEER'S SEAL

ORIGINAL DRAWING SEALED BY:
 T. M. CHURCH
 SNC-Lavalin
 MEMBER # 32682
 2012/03/02
 REV. 00

THE CITY OF WINNIPEG
 WATER AND WASTE DEPARTMENT

SOUTH END WATER POLLUTION CONTROL CENTRE
 ELECTRICAL CLASSIFICATION UPGRADES
 MOTOR SCHEMATIC
 G260-CON
 SCREENING CONVEYOR AND G261-BR BRUSH

CITY DRAWING NUMBER: 1-0102G-E0035
 SHEET: 001
 REV: 00
 SIZE: A1