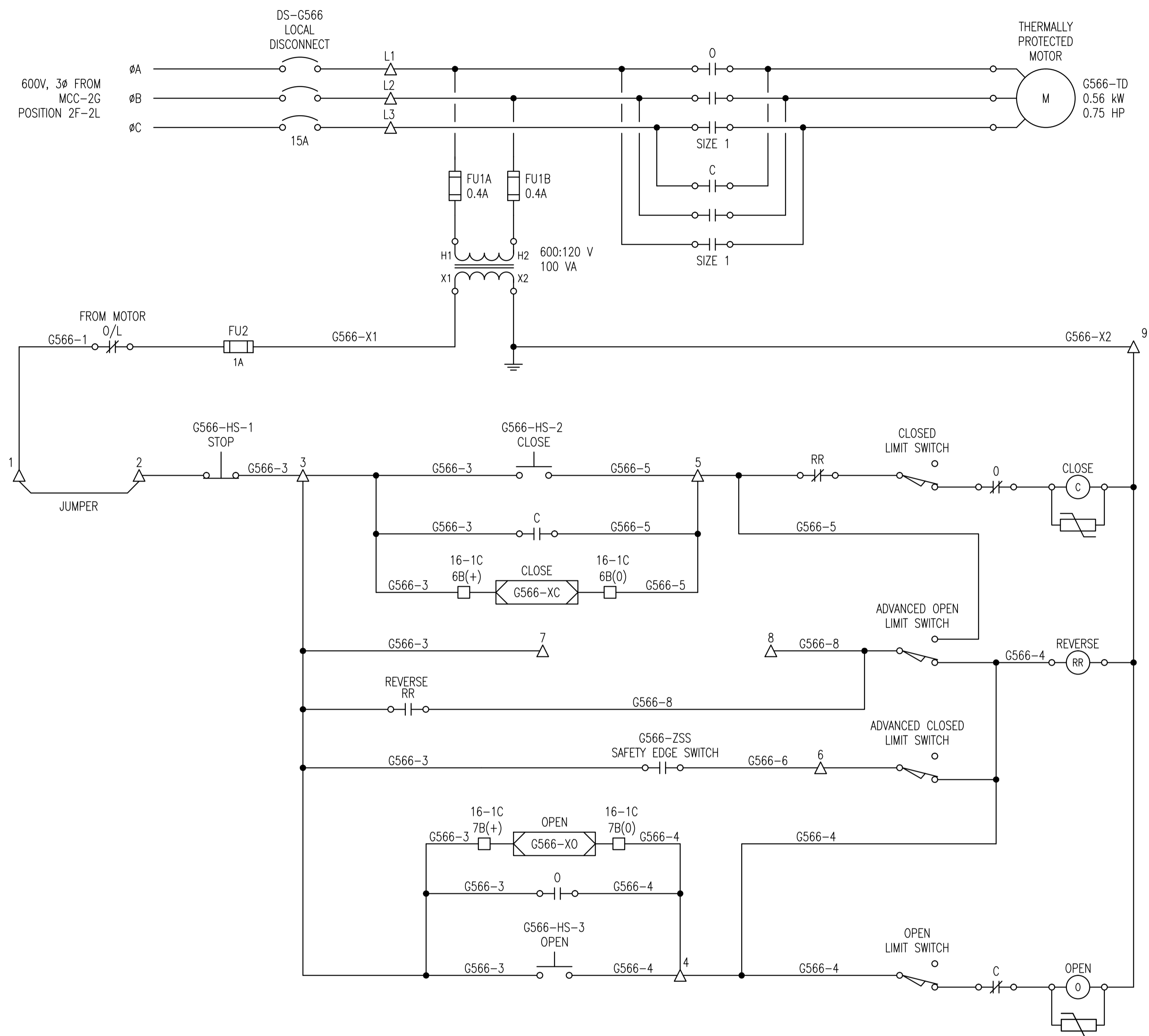


ELEMENTARY DIAGRAM:



**LEGEND:**

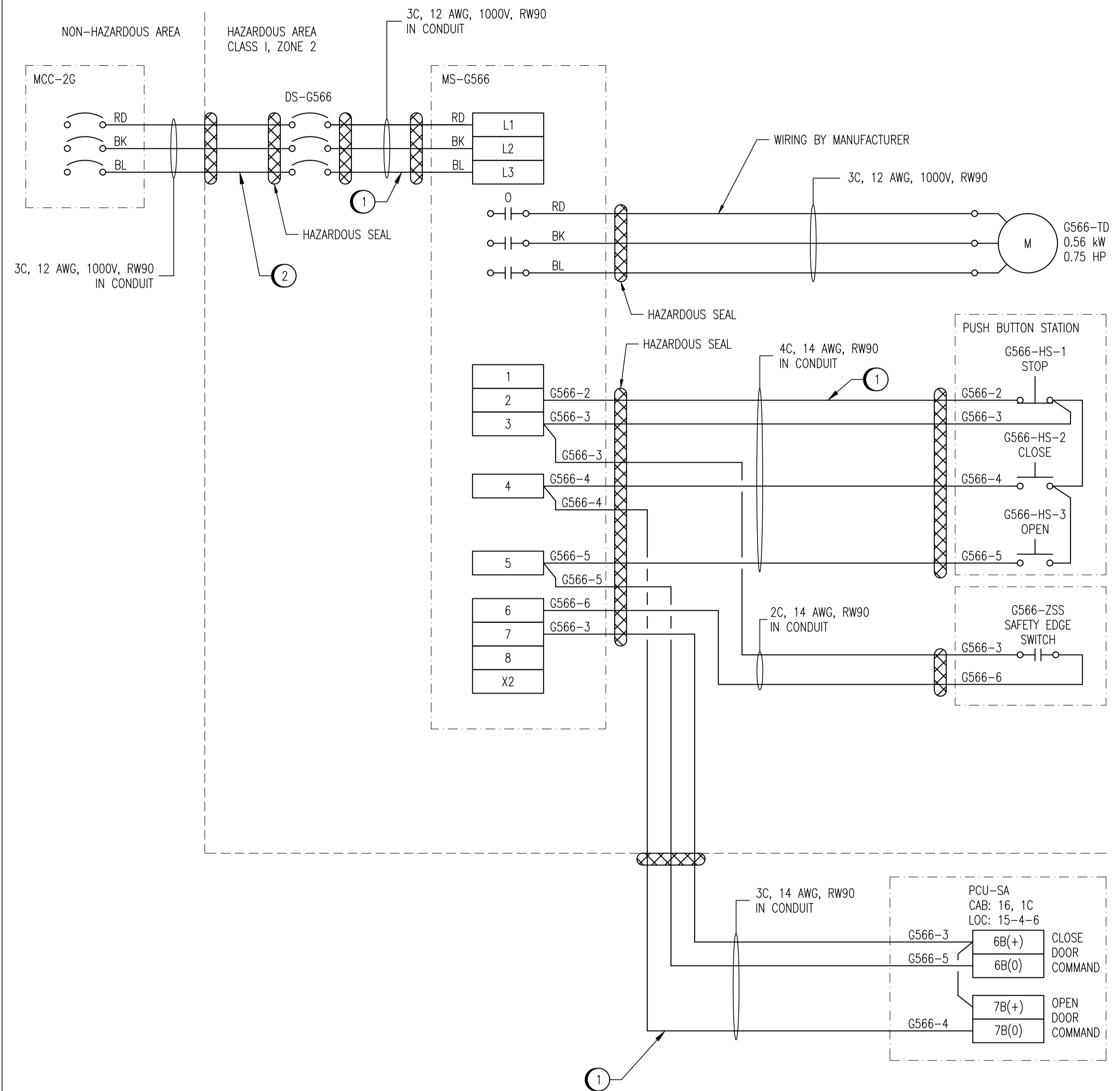
△	STARTER TERMINAL
□	DCS CABINET TERMINAL
⊠	FDP-G TERMINAL
◁▷	DCS OUTPUT

**NOTES:**

- SCHEMATIC BASED ON EXISTING VENDOR SHOP DRAWINGS. ACTUAL WIRING AND DEVICES TO BE CONFIRMED WITH TRUCK BAY DOOR STARTER PANEL MANUFACTURER AND CONTRACT ADMINISTRATOR.
- DOOR OPERATOR PANEL REQUIREMENTS.  
SCCR: 25kA  
EXPLOSIONPROOF ENCLOSURE



FIELD CONNECTION DIAGRAM:



**CONSTRUCTION NOTES**

①	EXISTING CONDUIT MAY BE REUSED PROVIDED HAZARDOUS SEALS ARE INSTALLED AS SHOWN. REPLACE EXISTING WIRE.
②	EXISTING CONDUIT MAYBE REUSED PROVIDED HAZARDOUS SEALS ARE INSTALLED AS SHOWN. EXISTING WIRE MAY BE REUSED.

DRAWING NUMBER	REFERENCE DRAWINGS
----------------	--------------------

<p>SNC-LAVALIN INC. 148 Nature Park Way Winnipeg, MB, Canada R3P 0X7 204-786-8080</p>		<p>ENGINEER'S SEAL</p> <p>ORIGINAL DRAWING SEALED BY: T. M. CHURCH SNC-LAVALIN MEMBER # 32682 2012/02/17 REV. 00</p>	<p>THE CITY OF WINNIPEG WATER AND WASTE DEPARTMENT</p> <p>SOUTH END WATER POLLUTION CONTROL CENTER ELECTRICAL CLASSIFICATION UPGRADES SCHEMATIC TRUCK BAY DOOR G566-TD</p>
<p>DESIGNED BY: T. CHURCH</p> <p>DRAWN BY: S. FUNK</p> <p>SCALE: NTS</p> <p>DATE: 2011/08/19</p> <p>CONSULTANT NO.: 112577-0113-47DD-2223</p>	<p>CHECKED BY: C. REIMER</p> <p>APPROVED BY: C. REIMER</p> <p>RELEASED FOR CONSTRUCTION BY: N. HARRINGTON DATE: 2012/02/15</p>	<p>CITY DRAWING NUMBER 1-0102G-E0033</p> <p>SHEET 001</p> <p>REV. 00</p> <p>SIZE A1</p>	<p>1-0102G-E0033-001-00.dwg</p>