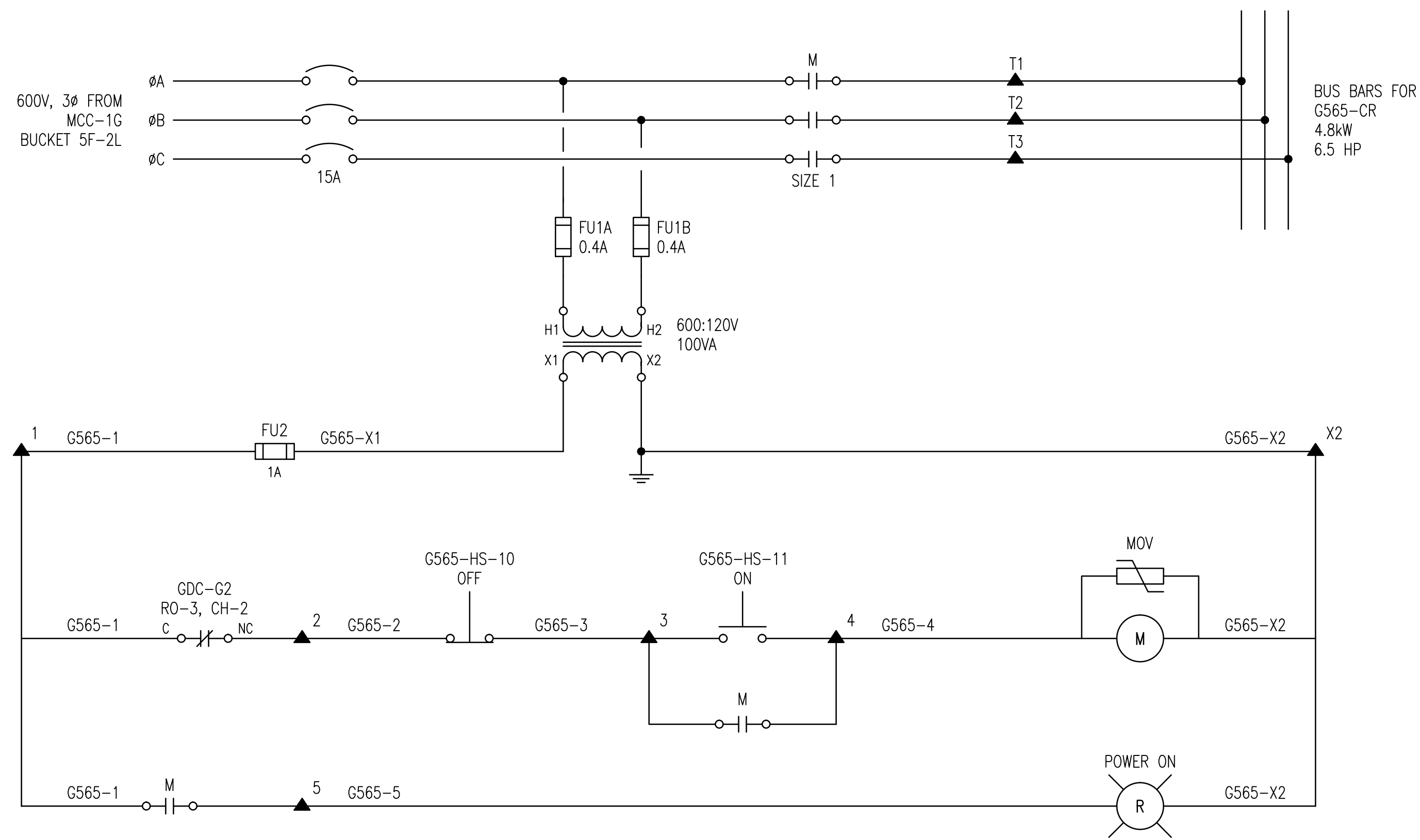
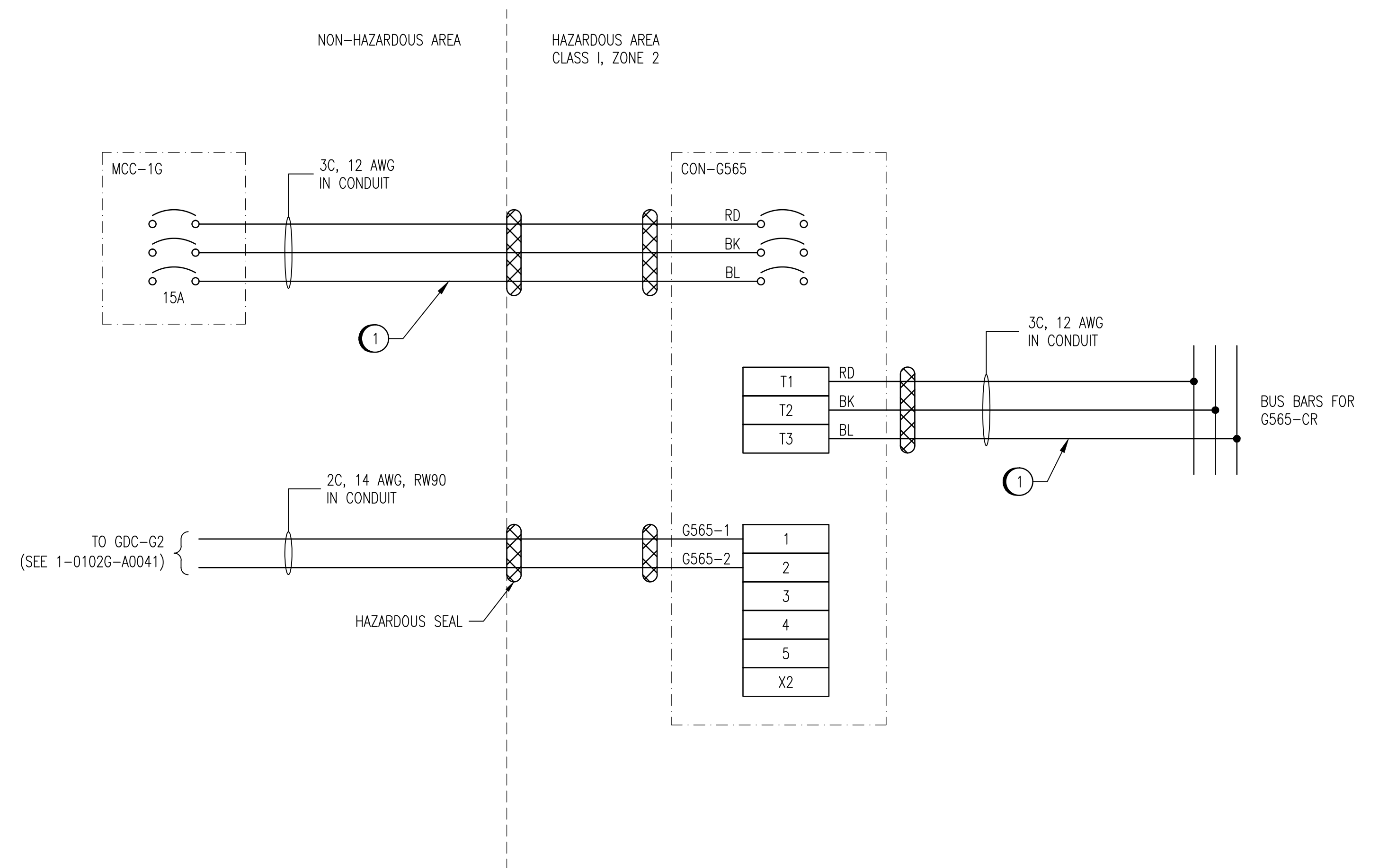


ELEMENTARY DIAGRAM:



FIELD CONNECTION DIAGRAM:



CONSTRUCTION NOTES	
1	EXISTING CONDUIT AND WIRE MAY BE REUSED PROVIDED HAZARDOUS SEALS ARE INSTALLED AS SHOWN.

LEGEND:	
	STARTER TERMINAL
	HAZARDOUS SEAL

NOTES:

- CONTACTOR ASSEMBLY REQUIREMENTS:
SCCR: 25KA
EXPLOSION PROOF ENCLOSURE



NO.	REVISIONS	DATE	DESIGN	CHECK
00	ISSUED FOR TENDER, BID OPP. 7-2012	2012/02/08	TMC	CJR

SNC-LAVALIN INC.
148 Nature Park Way
Winnipeg, MB, Canada R3P 0X7
204-786-8080

DESIGNED BY: T. CHURCH
DRAWN BY: S. FUNK
SCALE: NTS
DATE: 2011/07/26

CHECKED BY: C. REIMER
APPROVED BY: C. REIMER
RELEASED FOR CONSTRUCTION BY: N. HARRINGTON
DATE: 2012/02/15

CONSULTANT NO.: 112577-0113-47DD-2201

ENGINEER'S SEAL

ORIGINAL DRAWING
SEALED BY:
T. M. CHURCH
SNC-LAVALIN
MEMBER #32682
2012/02/15
REV. 00

THE CITY OF WINNIPEG
WATER AND WASTE DEPARTMENT

SOUTH END WATER POLLUTION CONTROL CENTER
ELECTRICAL CLASSIFICATION UPGRADES
CONTACTOR SCHEMATIC
CRANE G565-CR
CON-G565

CITY DRAWING NUMBER: 1-0102G-E0032
SHEET: 001
REV: 00
SIZE: A1

DRAWING NUMBER	REFERENCE DRAWINGS