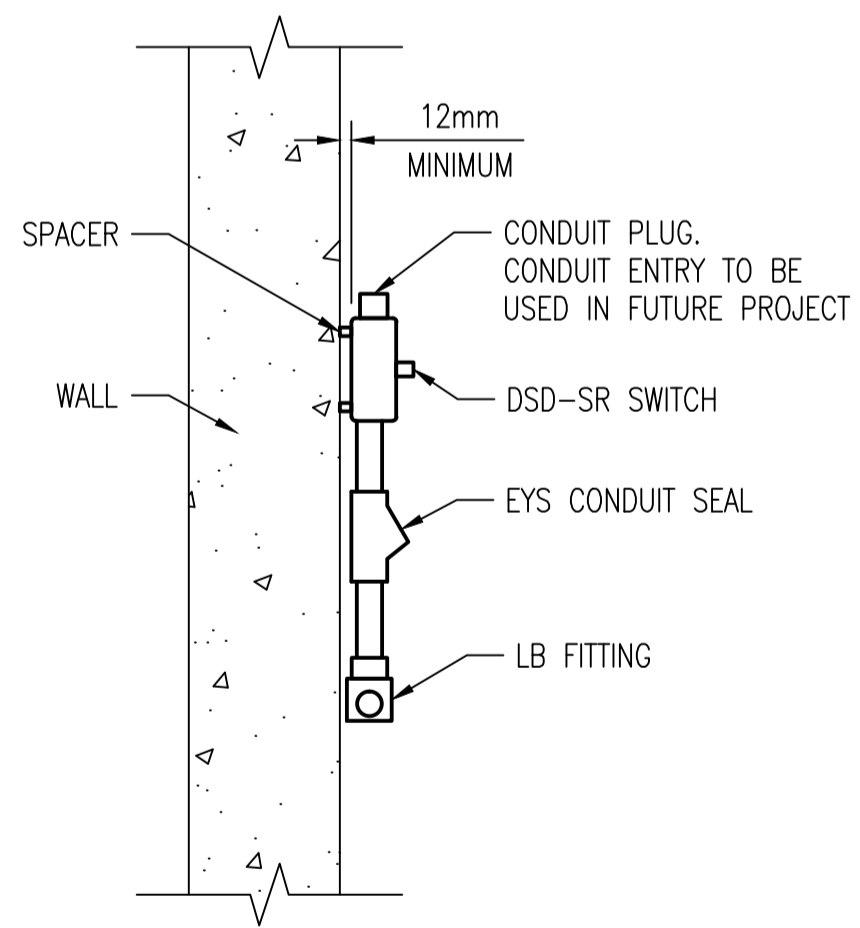
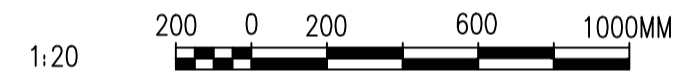
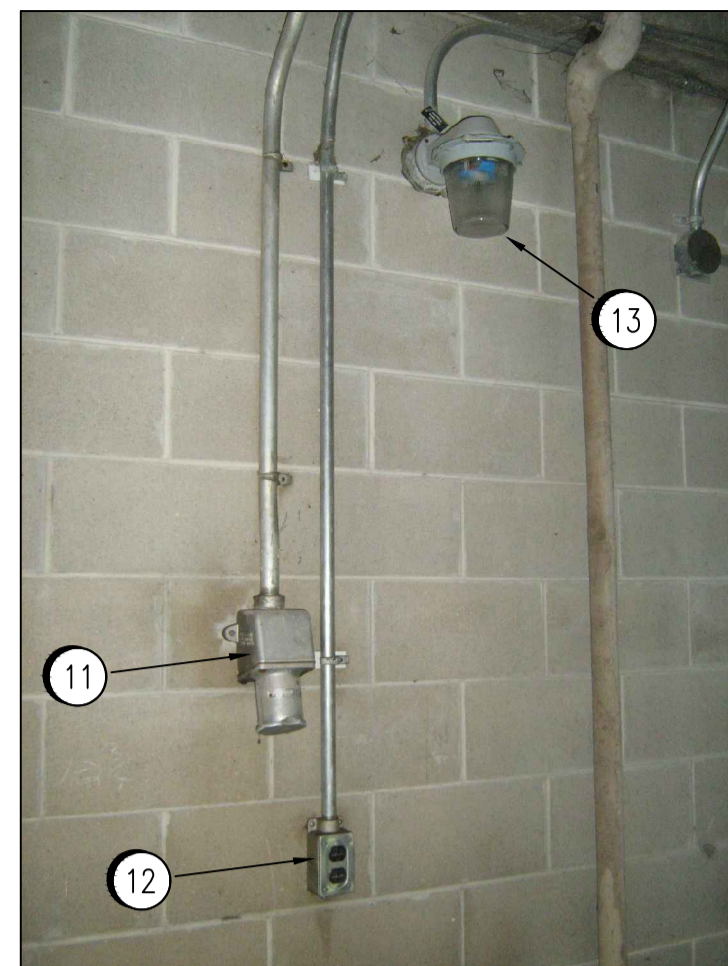


WET WELL FOYER - G125

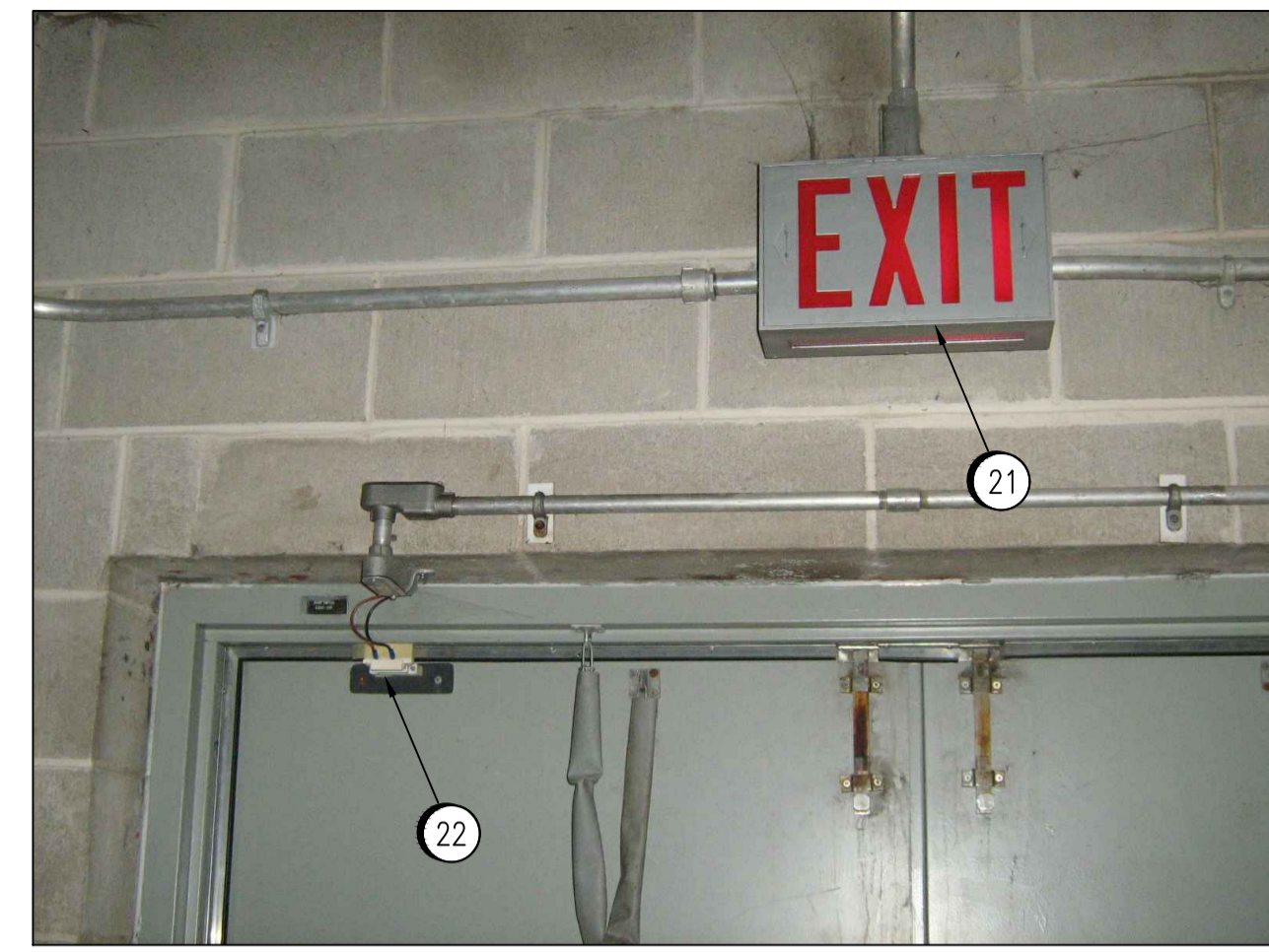


WET WELL LIGHTING SWITCH
SCALE NTS



1 DETAIL
SCALE NTS

- 11 REPLACE EXISTING 60A 3-POLE WELDING RECEPTACLE AND BOX. INSTALL EYS SEAL IN EXISTING CONDUIT AND WIRING RUN.
- 12 REPLACE EXISTING 15A, 120V RECEPTACLE AND BOX.
- 13 STROBE (G501-AA-3) HAS BEEN REPLACED UNDER A DIFFERENT PROJECT.



2 DETAIL
SCALE NTS

- 21 REPLACE AND RELOCATE EXISTING EXIT FIXTURE OVER SOUTH DOOR.
- 22 REPLACE EXISTING DOOR SWITCH (G532-ZSD). SEE DRAWING SEP-2094 FOR WIRING DETAILS. INSTALL EYS SEAL. SEE DETAIL ON 1-0102A-E0011.

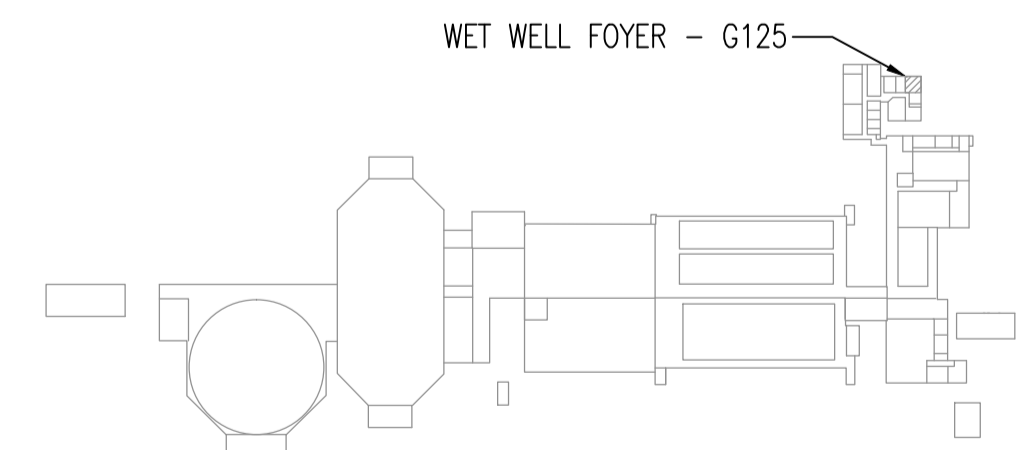
SPECIFIC NOTES	
1	REMOVE ALL UNUSED CONDUIT FROM WET WELL FOYER AND FIRE STOP HOLES.
2	INSTALL DUCT SEAL IN EXISTING CONDUIT AT THE FIRST CONDUIT BODY OR JUNCTION BOX WITHIN THE HAZARDOUS AREA (ESTIMATED NUMBER OF LOCATIONS: 3).
3	PROVIDE NEW SWITCH FOR WET WELL LIGHTING ON DOUBLE ENTRY BACK BOX. USE BOTTOM CONDUIT ENTRY FOR BOTH LINE AND LOAD 347V WIRING. TOP CONDUIT ENTRY TO BE PLUGGED, FOR USE ON FUTURE PROJECT. SEE DETAIL A FOR INSTALLATION DETAIL. SEE 1-0102G-A0090 FOR WIRING.
4	PROVIDE NEW CONDUIT AND WIRING FOR NON-ESSENTIAL LIGHTING CIRCUIT. PULL WIRES FOR TWO ADDITIONAL CIRCUITS FROM PNL-1G AS SPARE AND TERMINATE IN JUNCTION BOX. TAG WIRES IN JUNCTION BOX AS "SPARE (PNL-1G)". TAG SPARE WIRES IN PNL-1G AS "SPARE (RM. G125)".
5	EXISTING LUMINAIRE IS ACCEPTABLE FOR CLASS I, ZONE 2 LOCATIONS. REPLACE FLEXIBLE CONDUIT WITH RIGID CONDUIT.

GENERAL NOTES:

1. DRAWING AND PHOTOGRAPHS SHOW EXISTING MECHANICAL AND ELECTRICAL EQUIPMENT AND DEVICES. LOCATIONS INDICATED ARE APPROXIMATE.
2. REUSE EXISTING CONDUIT AND WIRING FOR NEW DEVICES UNLESS OTHERWISE NOTED.
3. PLAN AND SCHEDULE WORK TO MINIMIZE OUTAGES. SCHEDULE ALL SHUTDOWNS WITH PLANT OPERATIONS. REFER TO SPECIFICATIONS FOR DETAILS.

CANADIAN ELECTRICAL CODE NOTES:

1. AREA CLASSIFIED AS HAZARDOUS CLASS 1, ZONE 2, GROUP IIA. REFER TO DRAWING 1-0102G-E0016.
2. SUPPLY AND INSTALL NEW DEVICES AND CONDUIT TO MEET REQUIREMENTS FOR THE AREA CLASSIFICATION.
3. INSTALLATION TO BE COMPLIANT WITH CEC REQUIREMENTS FOR THE AREA CLASSIFICATION, EXCEPT:
(a) CONDUIT SEALS ARE NOT REQUIRED ON EXISTING CONDUITS PASSING FROM CLASS I, ZONE 2 AREAS TO UNCLASSIFIED AREAS, REF CEC 18-158(a).
4. DO NOT INSTALL ANY NEW WIRING IN EXISTING CONDUITS. ALL NEW WIRING TO BE INSTALLED IN NEW CONDUITS TO MEET CEC REQUIREMENTS, INCLUDING SEALS WHEN PASSING FROM CLASSIFIED AREAS.

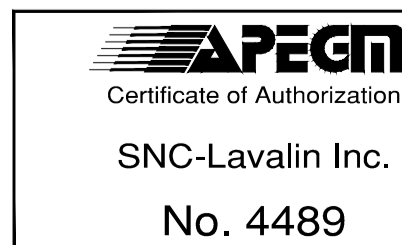


KEY PLAN
N.T.S.

NOTES:

1. THIS DRAWING SUPERCEDES PART OF SEP-826 AND SEP-837.

1-0102A-E0011	TYPICAL INSTALLATION DETAILS
1-0102A-E0010	DEVICE AND LUMINAIRE SCHEDULE
1-0102A-E0015	ELECTRICAL CLASSIFICATION PLAN
DRAWING NUMBER	REFERENCE DRAWINGS



NO.	REVISIONS	DATE	DESIGN	CHECK
00	ISSUED FOR TENDER, BID OPP. 7-2012	2012/02/08	TMC	CJR

 SNC-LAVALIN INC. 148 Nature Park Way Winnipeg, MB, Canada R3P 0X7 204-786-8080	
DESIGNED BY: T. CHURCH	CHECKED BY: C. REIMER
DRAWN BY: S. FUNK	APPROVED BY: C. REIMER
SCALE: 1:20	RELEASED FOR CONSTRUCTION BY: N. HARRINGTON DATE: 2012/02/15
DATE: 2011/07/06	DATE: 2012/02/15
CONSULTANT NO.: 112577-0113-47DD-0201	

ENGINEER'S SEAL
ORIGINAL DRAWING SEALED BY: T. M. CHURCH SNC-LAVALIN MEMBER # 32682 2012/02/15 REV. 00

 THE CITY OF WINNIPEG WATER AND WASTE DEPARTMENT	
SOUTH END WATER POLLUTION CONTROL CENTRE ELECTRICAL CLASSIFICATION UPGRADE PLAN LAYOUT WET WELL FOYER - G125	
CITY DRAWING NUMBER 1-0102G-E0018	SHEET REV. SIZE 001 00 A1