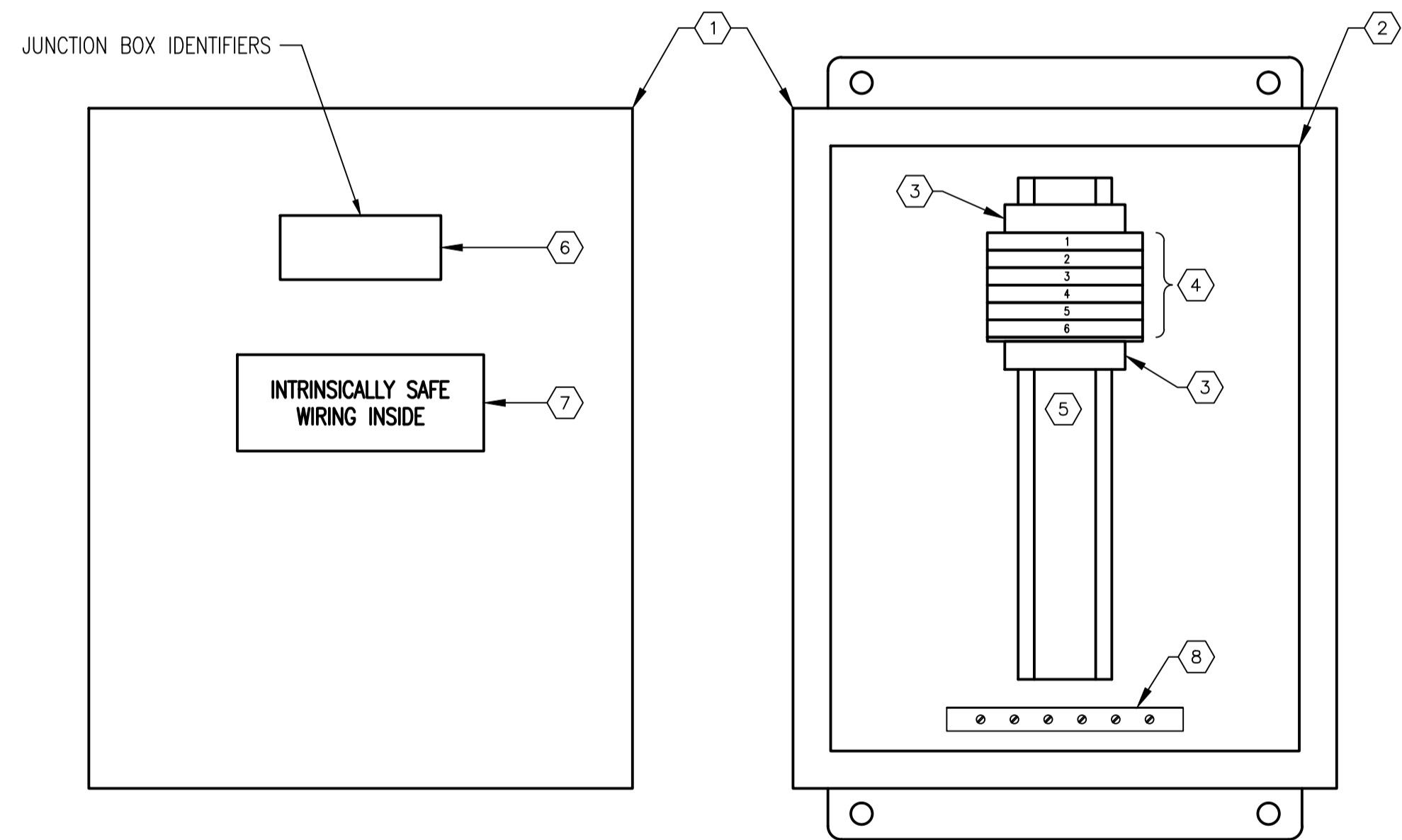


EXTERIOR PANEL VIEW  
SCALE: 1 : 2

INTERIOR PANEL VIEW  
SCALE: 1 : 2

ISB-G1 AND ISB-G2

BILL OF MATERIAL				
ITEM	QTY	DESCRIPTION	MANUFACTURER	CATALOG NUMBER
1	AS REQ'D	JUNCTION BOX, NEMA 12	HOFFMAN	A10106CH
2	AS REQ'D	BACKPAN	HOFFMAN	A10P10
3	AS REQ'D	INTRINSICALLY SAFE ISOLATING BARRIER, 2CH, 120VAC	PHOENIX CONTACT	2835781
4	AS REQ'D	POTENTIAL-EARTH TERMINAL	PHOENIX CONTACT	3046207
5	AS REQ'D	TERMINAL END CLAMP	PHOENIX CONTACT	1201442
6	AS REQ'D	35mm DIN RAIL	PHOENIX CONTACT	0801733
7	AS REQ'D	NARROW SLOT WIRING DUCT, 1.25" x 2.12", GRAY	PANDUIT	-
8	AS REQ'D	NARROW SLOT WIRING DUCT, 1.25" x 2.12", BLUE	PANDUIT	-
9	AS REQ'D	LAMACOIDS, WHITE BACKGROUND, BLACK TEXT	-	-
10	1	LAMACOID, BLUE BACKGROUND, WHITE TEXT	-	-
11	1	GROUND BAR, 6 TAP	ILSCO	D167-6



EXTERIOR PANEL VIEW  
SCALE: 1 : 2

INTERIOR PANEL VIEW  
SCALE: 1 : 2

JBA-G6 AND JBA-G202

BILL OF MATERIAL				
ITEM	QTY	DESCRIPTION	MANUFACTURER	CATALOG NUMBER
1	AS REQ'D	JUNCTION BOX, NEMA 4X, 316L STAINLESS STEEL	HOFFMAN	A1008CHNFSS6
2	AS REQ'D	BACKPAN	HOFFMAN	A10P8
3	AS REQ'D	TERMINAL END CLAMP	PHOENIX CONTACT	1201442
4	AS REQ'D	FEED THROUGH TERMINAL	PHOENIX CONTACT	3046184
5	AS REQ'D	35mm DIN RAIL	PHOENIX CONTACT	0801733
6	AS REQ'D	LAMACOIDS, WHITE BACKGROUND, BLACK TEXT	-	-
7	1	LAMACOID, BLUE BACKGROUND, WHITE TEXT	-	-
8	1	GROUND BAR, 6 TAP	ILSCO	D167-6

NOTES:

1. LABEL WIREWAY COVERS, BACKPLANE, AND TERMINALS AS SHOWN.



00 ISSUED FOR TENDER, BID OPP. 7-2012 2012/02/08 TMC CJR NO. REVISIONS DATE DESIGN CHECK	 SNC-LAVALIN INC. 148 Nature Park Way Winnipeg, MB, Canada R3P 0X7 204-798-8080	ENGINEER'S SEAL  ORIGINAL DRAWING SEALED BY: T. M. CHURCH SNC-LAVALIN MEMBER #32682 2012/02/15 REV. 00	 THE CITY OF WINNIPEG WATER AND WASTE DEPARTMENT  SOUTH END WATER POLLUTION CONTROL CENTRE ELECTRICAL CLASSIFICATION UPGRADES PANEL LAYOUT ISB-G1, ISB-G2, JBA-G6 & JBA-G202		
				DESIGNED BY: T. CHURCH CHECKED BY: C. REIMER DRAWN BY: S. FUNK APPROVED BY: C. REIMER SCALE: 1:2 RELEASED FOR CONSTRUCTION BY: N. HARRINGTON DATE: 2011/07/26 DATE: 2012/02/15 CONSULTANT NO.: 112577-0113-47DD-2202	
CITY DRAWING NUMBER 1-0102G-A0041			SHEET 001	REV. 00	SIZE A1

1-0102G-A0042	INSTRUMENT LOOP DIAGRAM - G108-LSH AND Q110-LSH
1-0102G-A0043	INSTRUMENT LOOP DIAGRAM - G202-LSH
DRAWING NUMBER	REFERENCE DRAWINGS