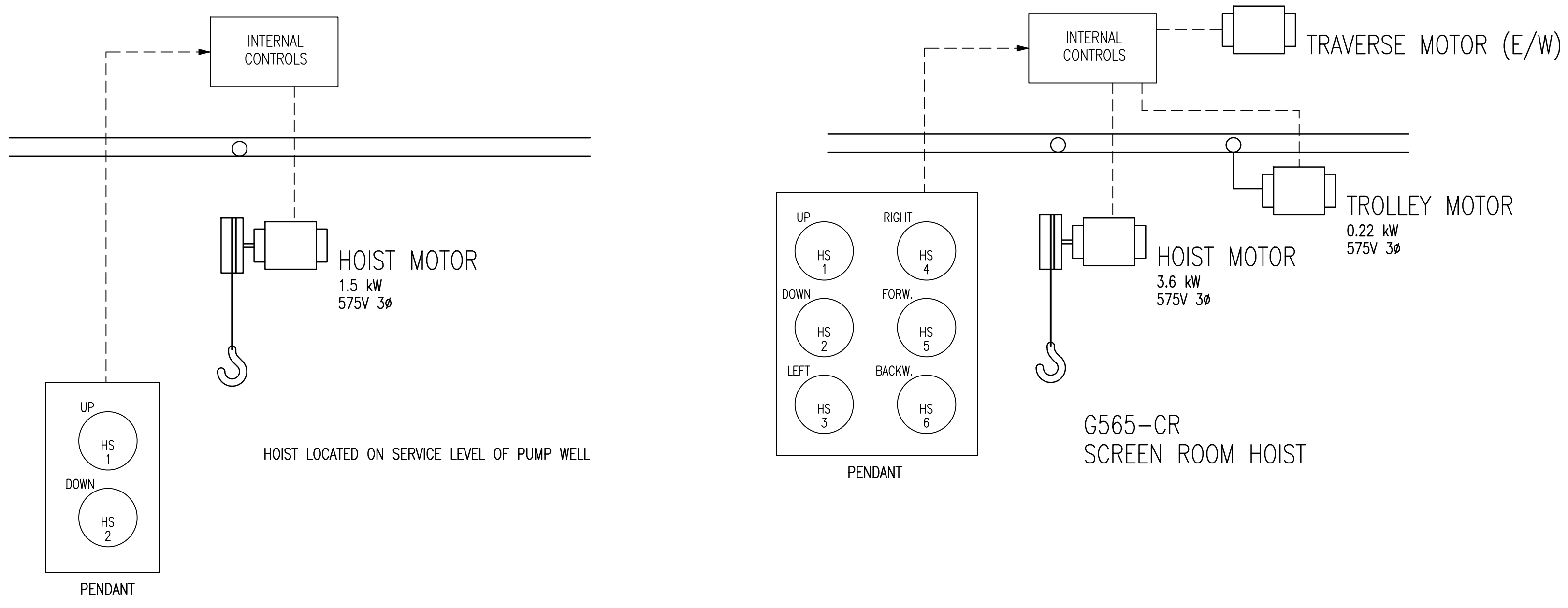
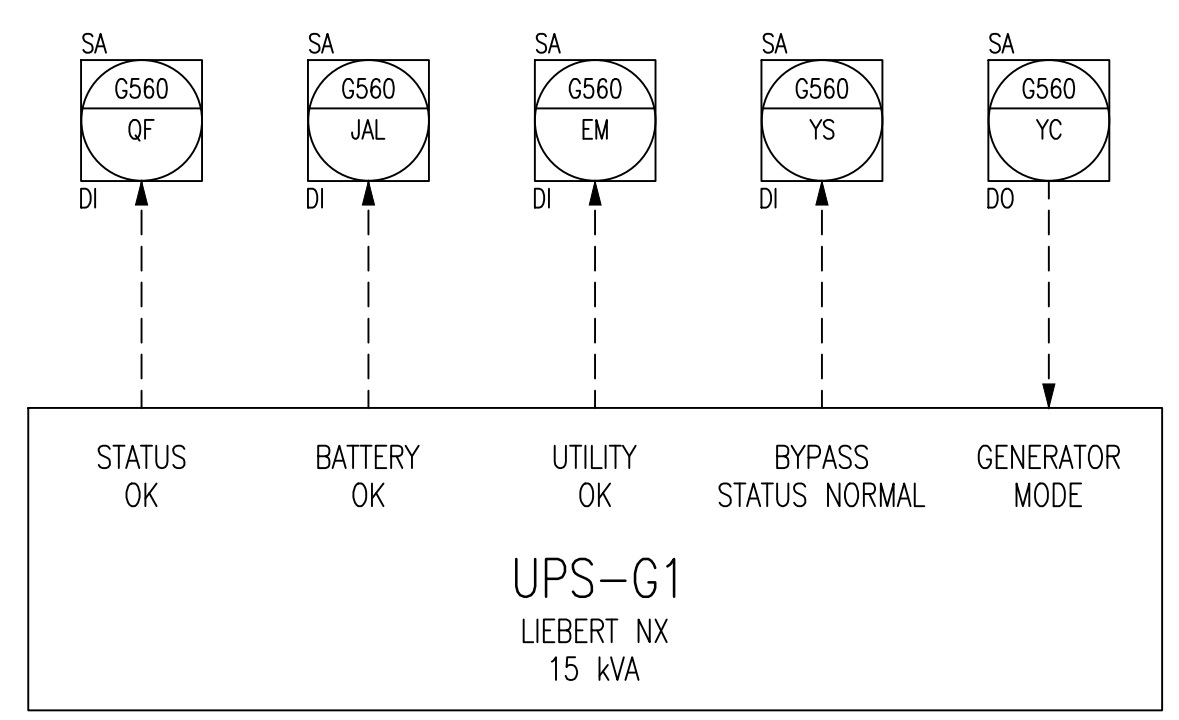
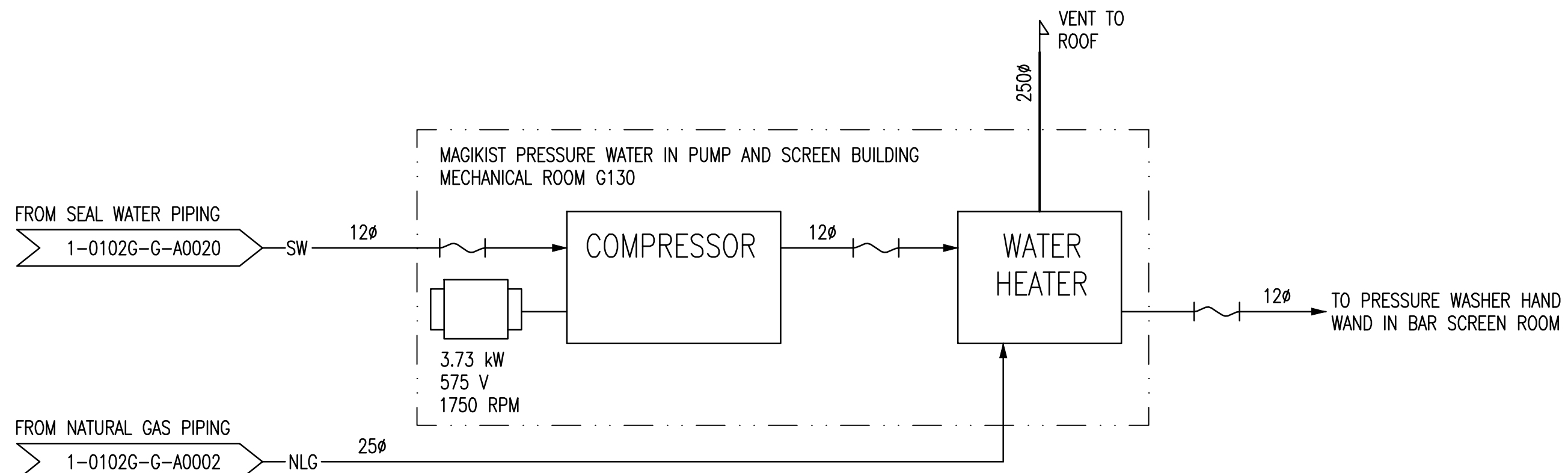


**INCONSISTENCIES**  
I-1 MOTION DETECTORS G536-XS, G537-XS, G538-XS, AND G539-XS ARE CURRENTLY DESIGNATED AS G536-AE, G537-AE, G538-AE, AND G539-AE RESPECTIVELY.



- NOTES:**
- THIS DRAWING SUPERSEDES PART OF DRAWING SEP-866.
  - ALL INSTRUMENTS SHOWN IN AN AUXILIARY LOCATION ARE LOCATED IN THE ASSOCIATED LOCAL MOTOR STARTER PANEL IN ELECTRICAL ROOM G116, UNLESS OTHERWISE INDICATED.

<p>SNC-LAVALIN INC. 148 Nature Park Way Winnipeg, MB, Canada R3P 0X7 204-786-8080</p>				<p>ENGINEER'S SEAL</p>		<p>THE CITY OF WINNIPEG WATER AND WASTE DEPARTMENT</p>	
DESIGNED BY: EXISTING		CHECKED BY: EFB		<p>ORIGINAL DRAWING SEALED BY: T. M. CHURCH SNC-LAVALIN MEMBER # 32682 2012/02/27 REV. 02 CHANGES ONLY</p>		<p>SOUTH END WATER POLLUTION CONTROL CENTRE PUMP &amp; SCREEN BUILDING PROCESS &amp; INSTRUMENTATION DIAGRAM MISCELLANEOUS</p>	
DRAWN BY: DAH/EFB		APPROVED BY: CJR					
SCALE: NTS		RELEASED FOR CONSTRUCTION		<p>CITY DRAWING NUMBER 1-0102G-A0032</p>		<p>SHEET REV. SIZE 001 02 D</p>	
DATE: 2005/11/02		DATE: 2011/03/11					
CONSULTANT NO.: 112577-0106-49DD-0004		NO. REVISIONS		DATE		DESIGN CHECK	