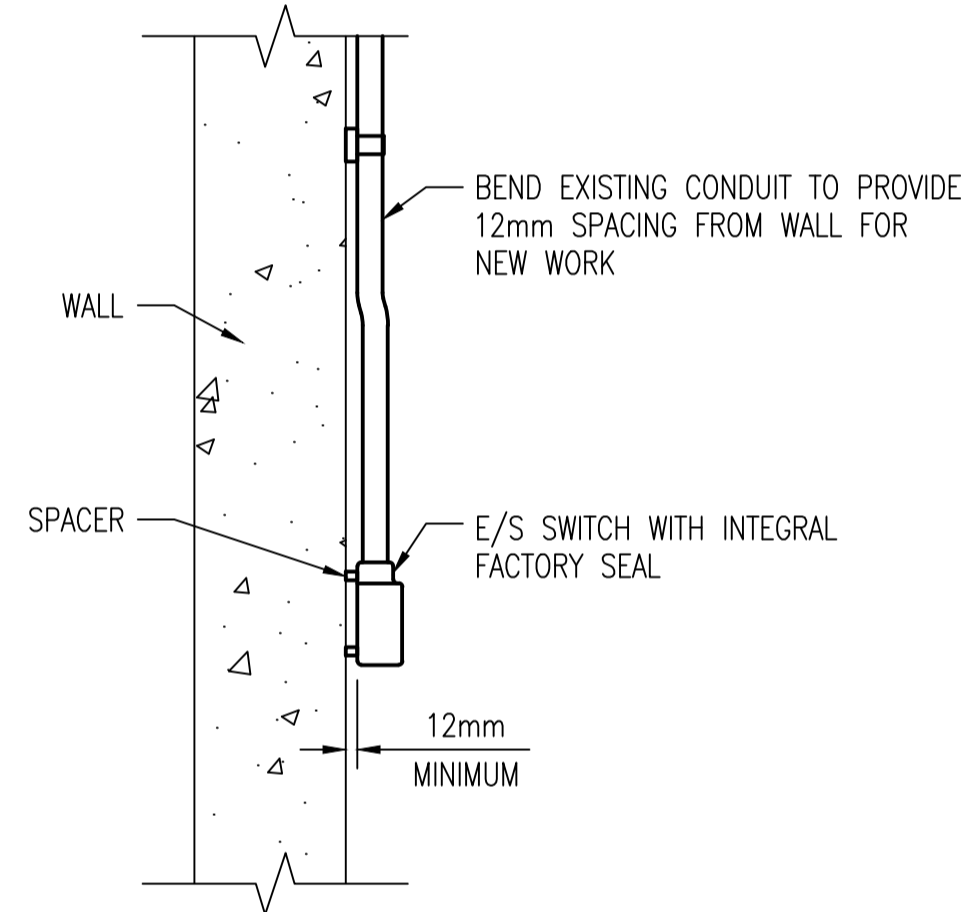
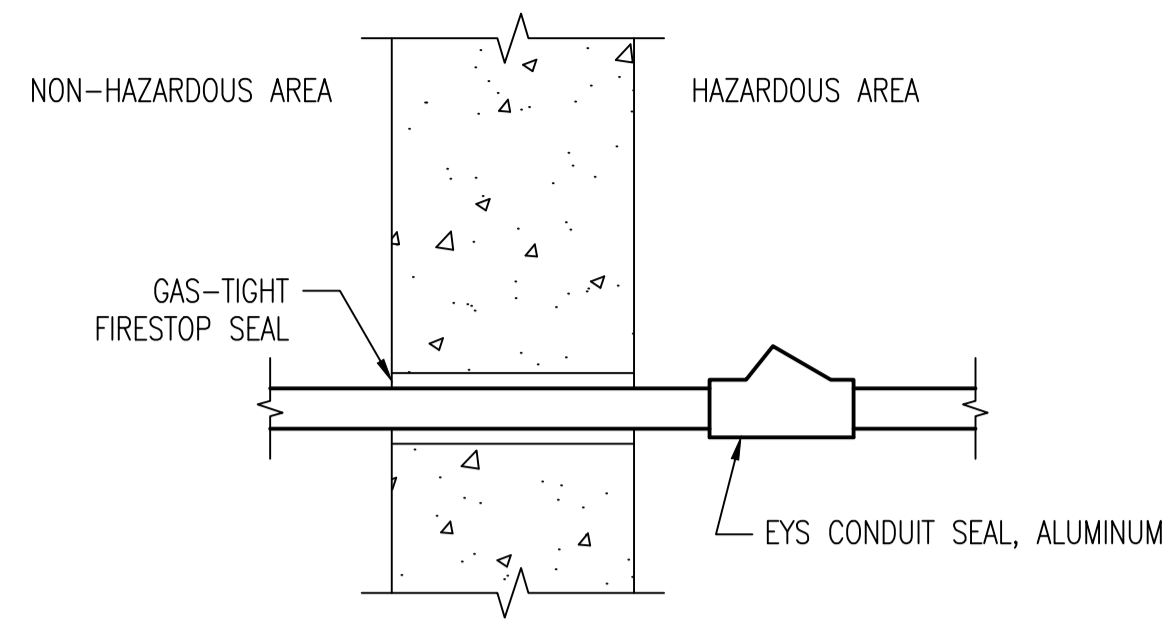


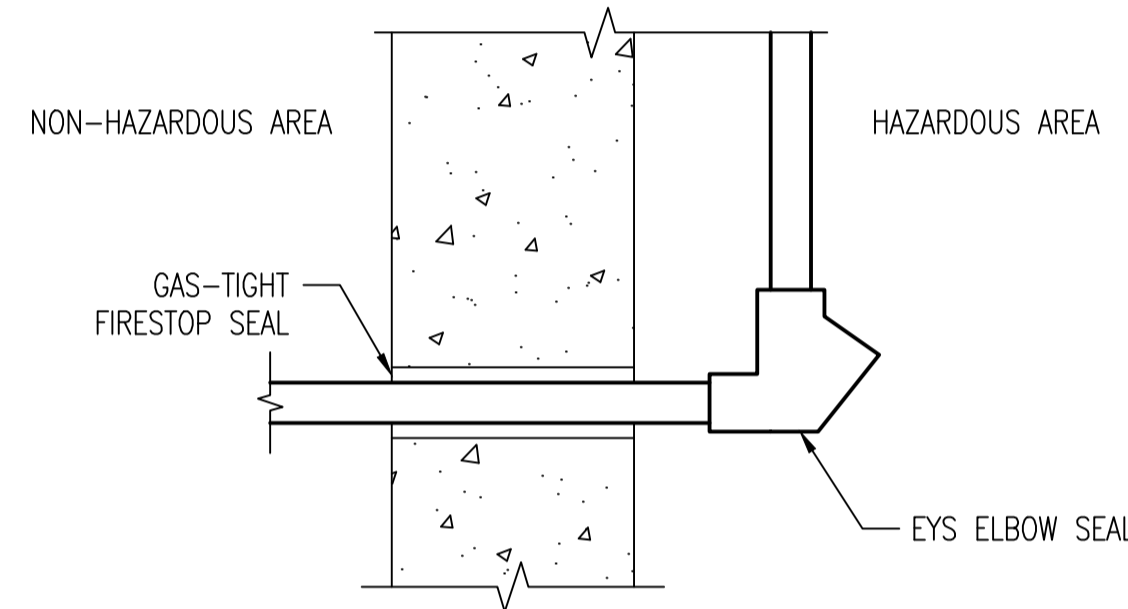
1 TYPICAL EXPLOSION-PROOF DEVICE MOUNTING  
SCALE: NTS



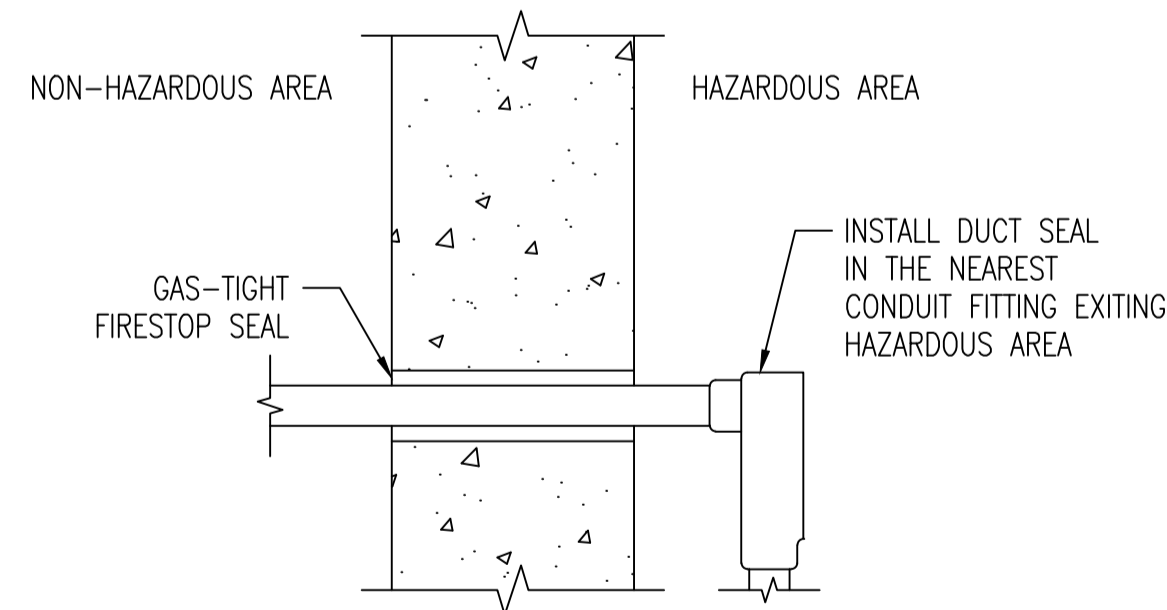
2 TYPICAL E/S SWITCH  
SCALE: NTS



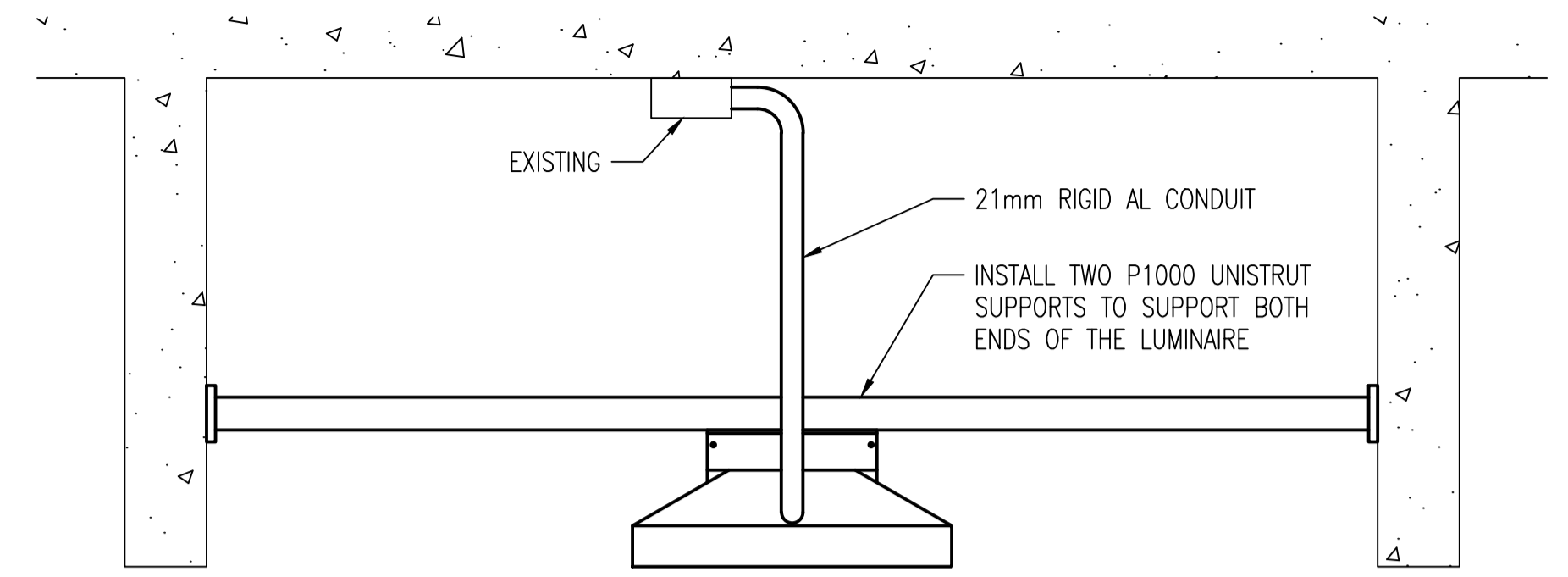
3 TYPICAL NEW CONDUIT EXITING HAZARDOUS AREA  
SCALE: NTS



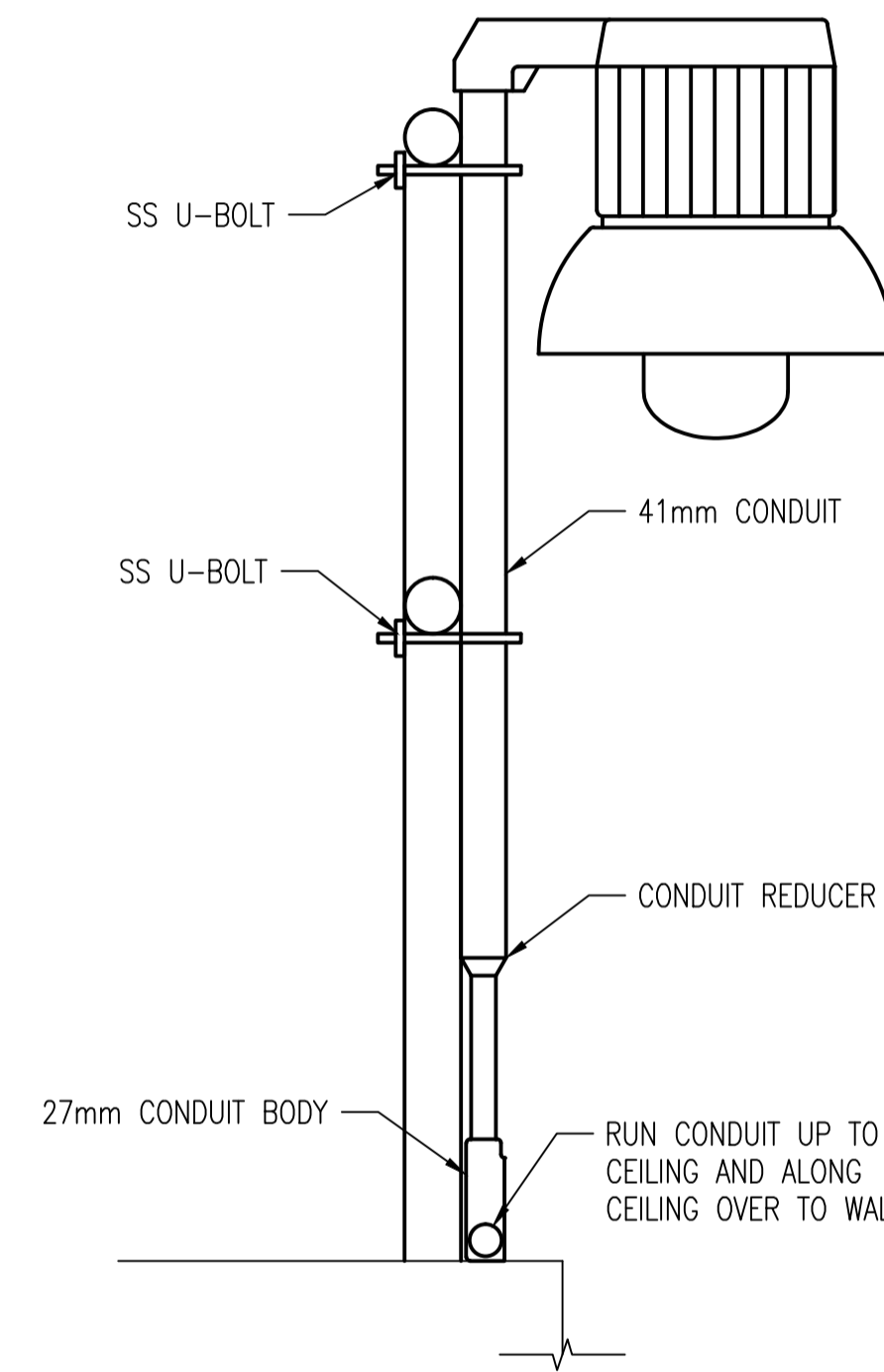
4 TYPICAL NEW CONDUIT EXITING HAZARDOUS AREA - ELBOW FITTING  
SCALE: NTS



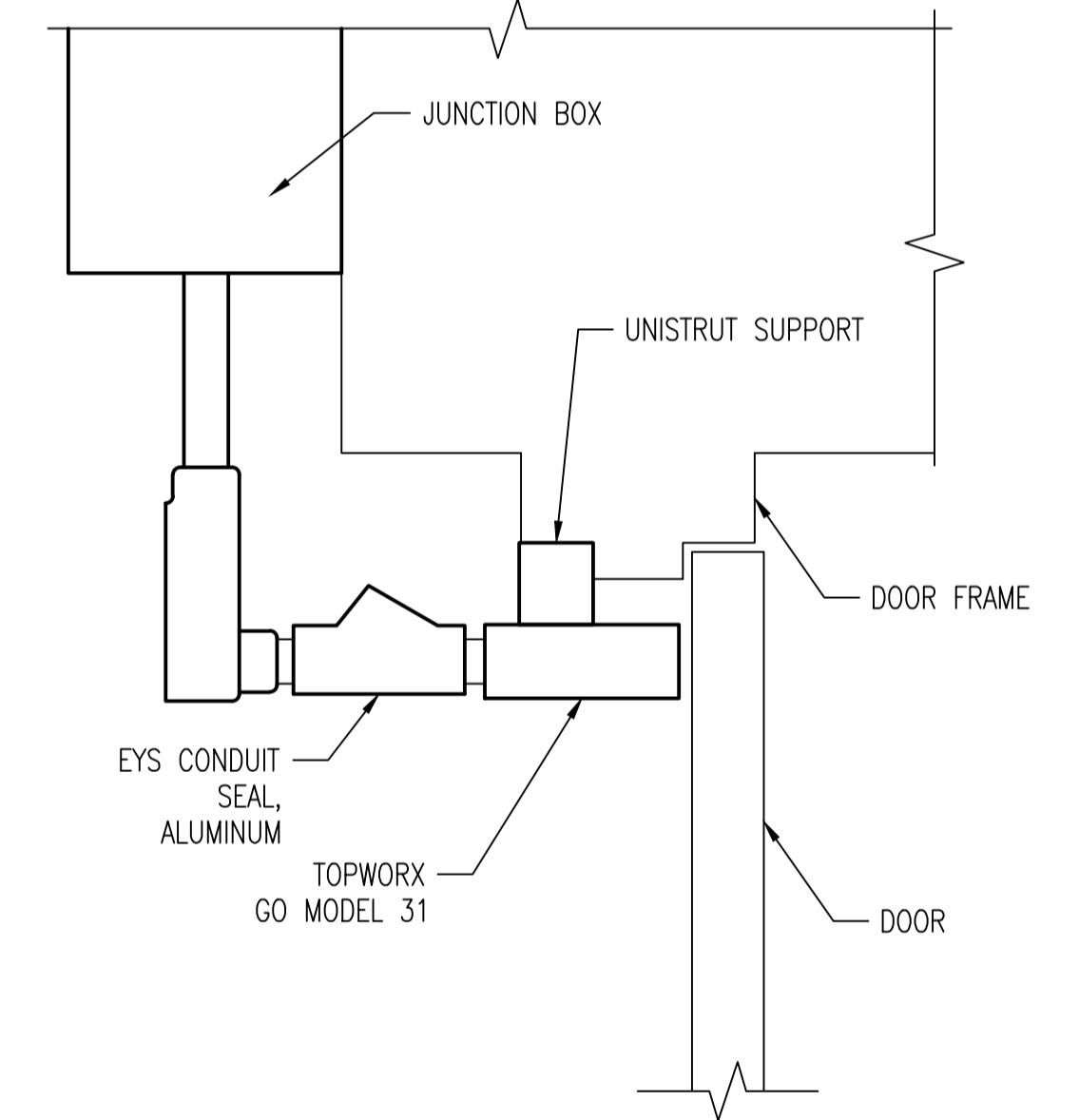
5 EXISTING CONDUIT EXITING HAZARDOUS AREA  
SCALE: NTS



6 TYPICAL FLUORESCENT LUMINAIRE - CEILING MOUNT IN BEAM POCKET  
SCALE: NTS



7 STANCHION MOUNT - IN WET WELL  
SCALE: NTS



8 DOOR SWITCH  
SCALE: NTS

SPECIFIC NOTES

1 DUCT SEAL IN THE NEAREST CONDUIT FITTING EXITING THE HAZARDOUS AREA IS A DEVIATION FROM CANADIAN ELECTRICAL CODE REQUIREMENTS FOR AN APPROVED SEAL. THIS DEVIATION IS ONLY ACCEPTABLE ON EXISTING CONDUITS WHERE NOTED ON THE DRAWINGS.



NO.	REVISIONS	DATE	DESIGN	CHECK
00	ISSUED FOR TENDER, BID OPP. 7-2012	2012/02/08	TMC	CJR

		SNC-LAVALIN INC. 148 Nature Park Way Winnipeg, MB, Canada R3P 0X7 204-786-8080	
DESIGNED BY:	T. CHURCH	CHECKED BY:	C. REIMER
DRAWN BY:	S. FUNK	APPROVED BY:	C. REIMER
SCALE:	NTS	RELEASED FOR CONSTRUCTION BY:	N. HARRINGTON
DATE:	2011/07/06	DATE:	2012/02/15
CONSULTANT NO.:	112577-0113-47DD-0002		

ENGINEER'S SEAL  
 ORIGINAL DRAWING  
 SEALED BY:  
 T. M. CHURCH  
 SNC-LAVALIN  
 MEMBER # 32682  
 2012/02/15  
 REV. 00

**THE CITY OF WINNIPEG**  
 WATER AND WASTE DEPARTMENT  
 SOUTH END WATER POLLUTION CONTROL CENTRE  
 ELECTRICAL CLASSIFICATION UPGRADES  
 INSTALLATION DETAILS  
 HAZARDOUS CLASS 1, ZONE 2 LOCATIONS  
 CITY DRAWING NUMBER: 1-0102A-E0011  
 SHEET: 001  
 REV: 00  
 SIZE: A1

DRAWING NUMBER	REFERENCE DRAWINGS
----------------	--------------------