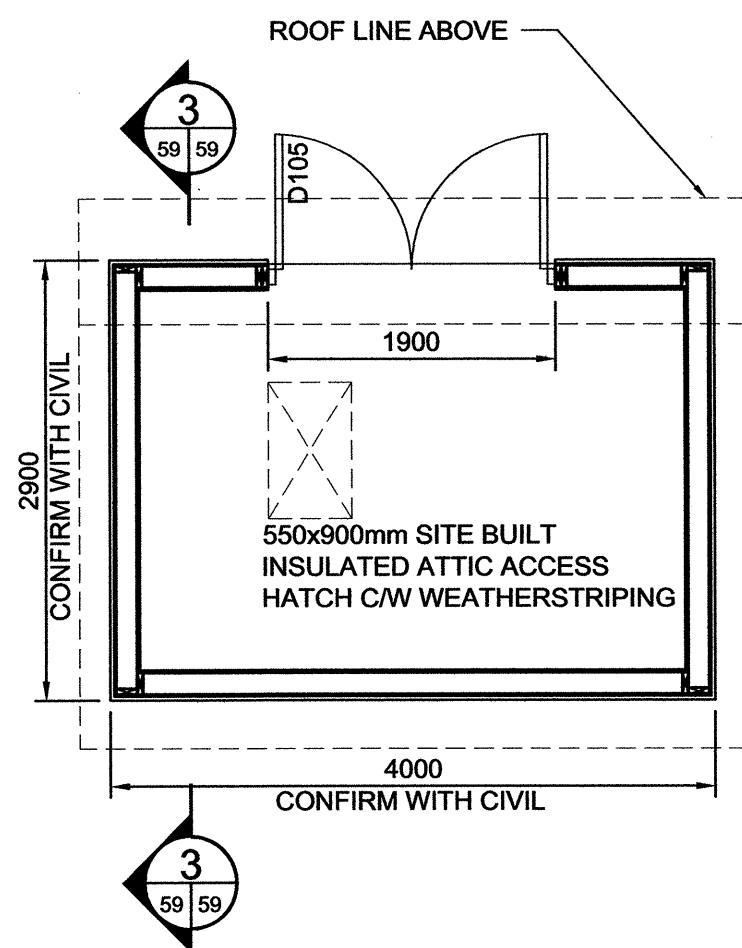
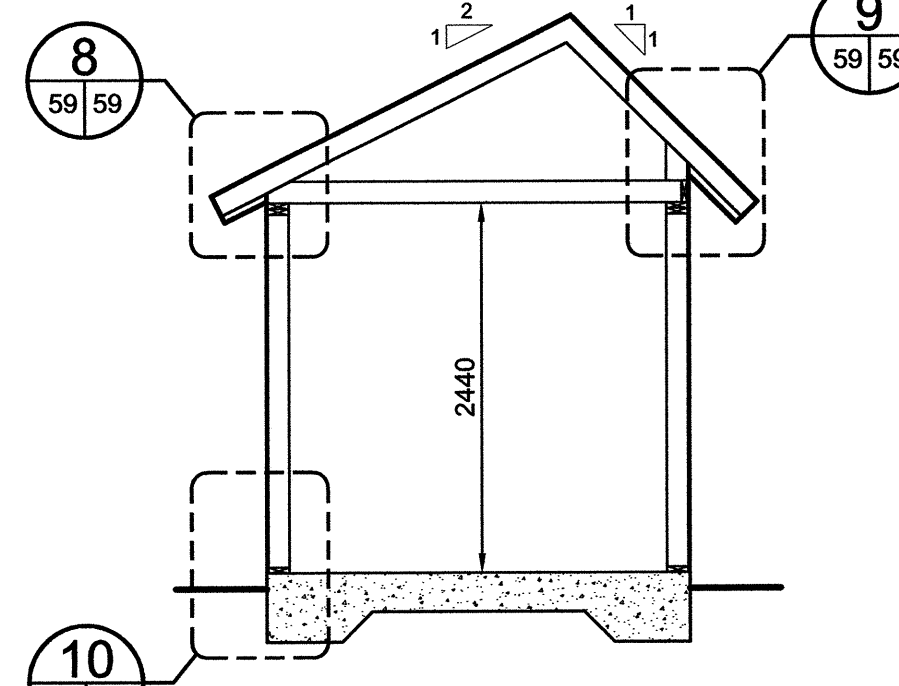


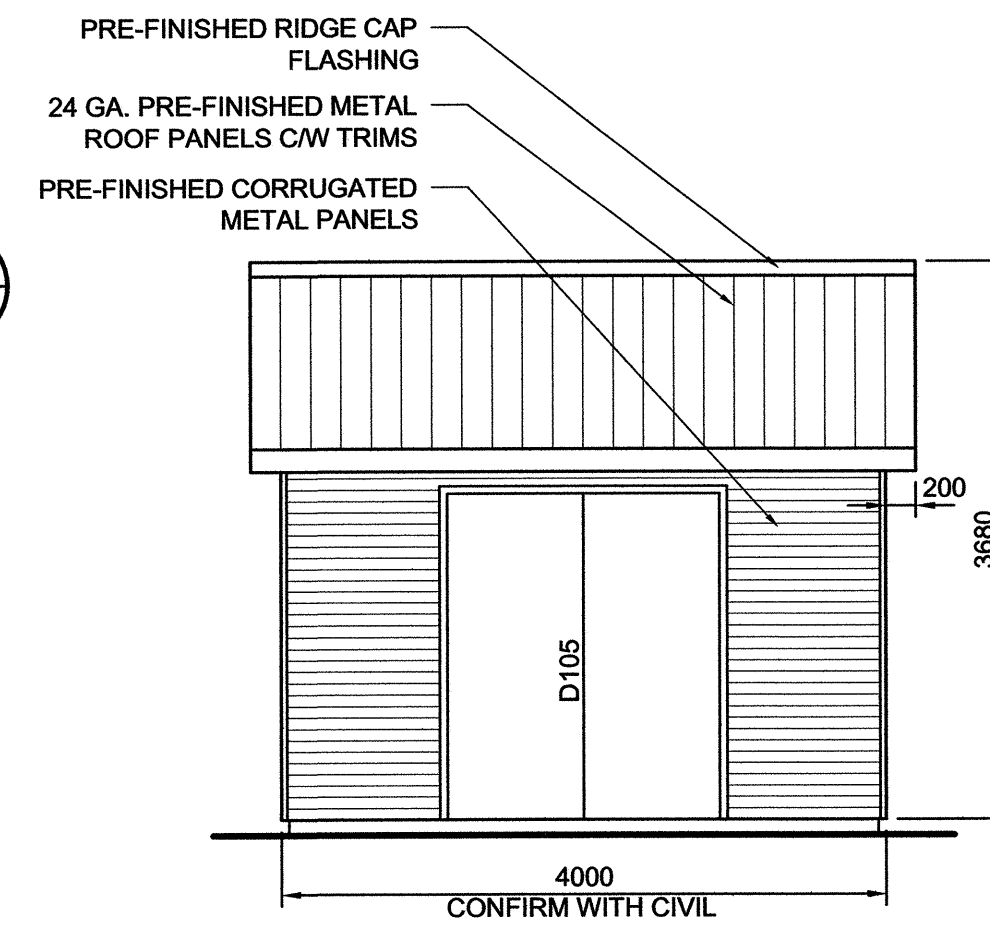
LOCATION PLAN
SCALE 1:150



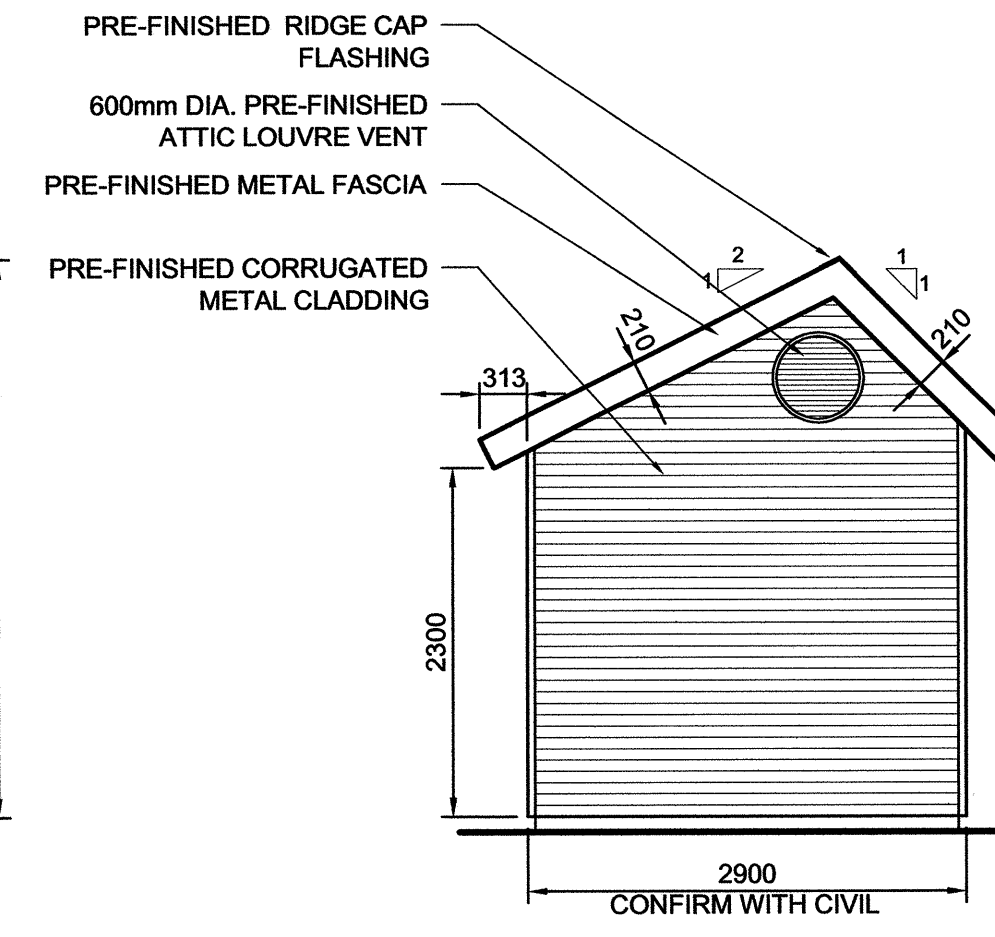
PLAN VIEW
SCALE 1:50



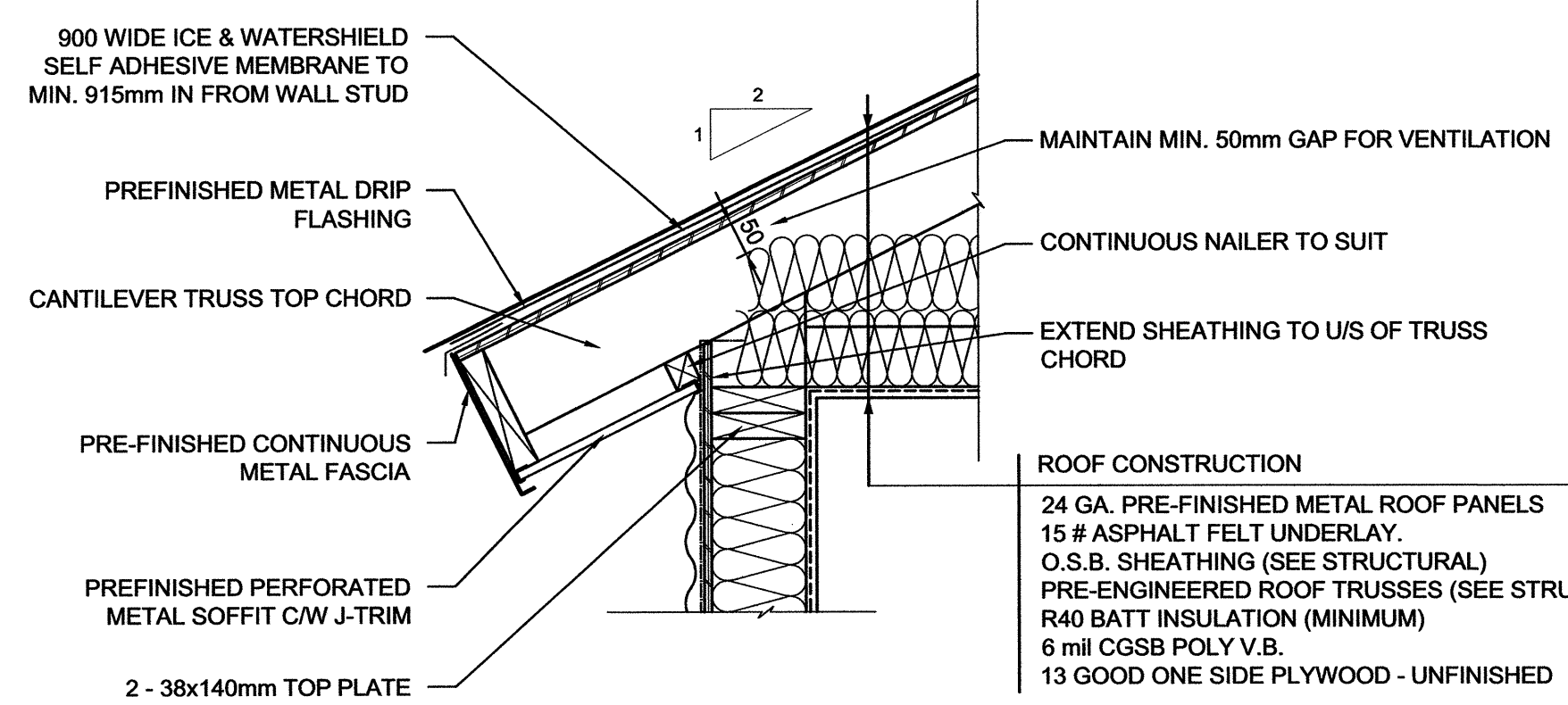
SECTION
SCALE 1:50



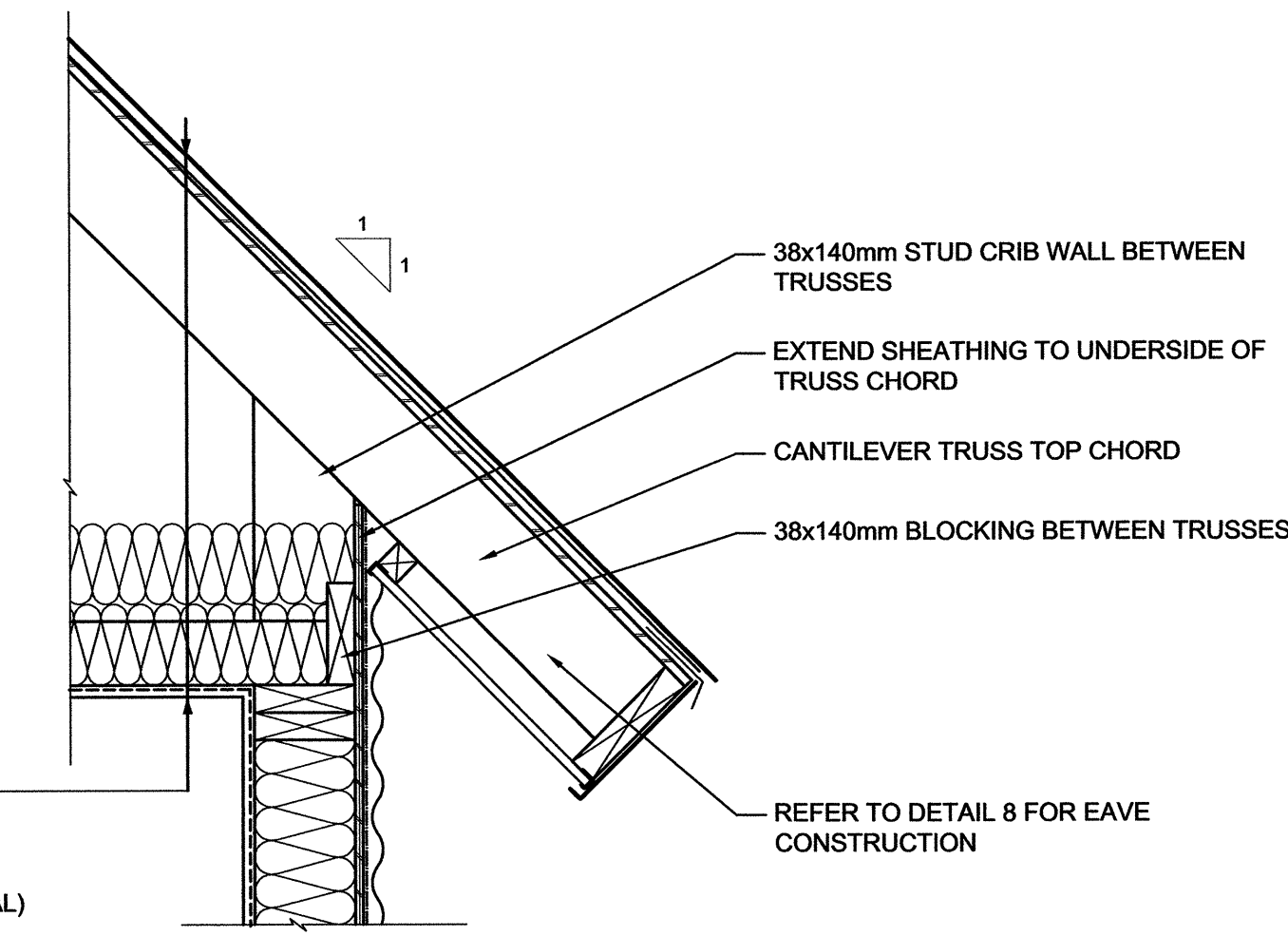
NORTH ELEV.
SCALE 1:50



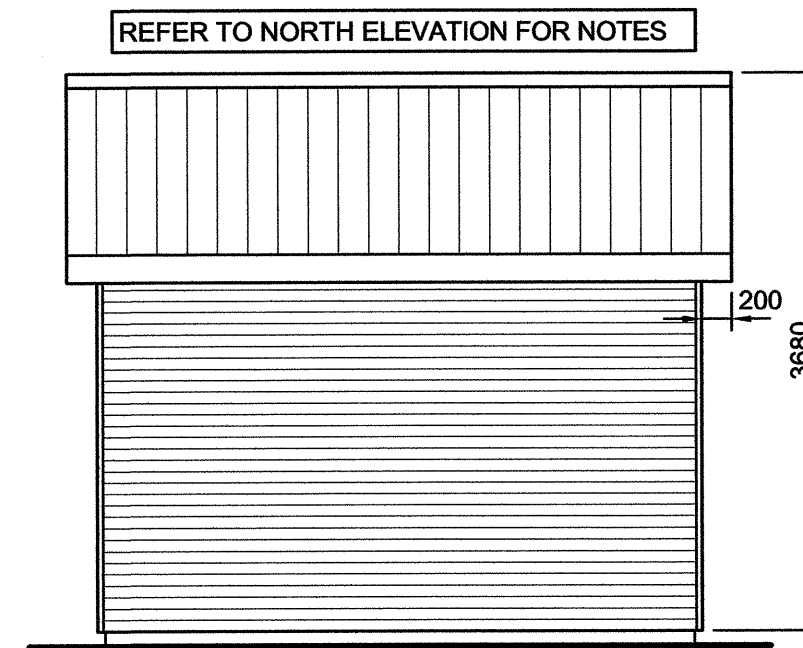
EAST ELEV.
SCALE 1:50



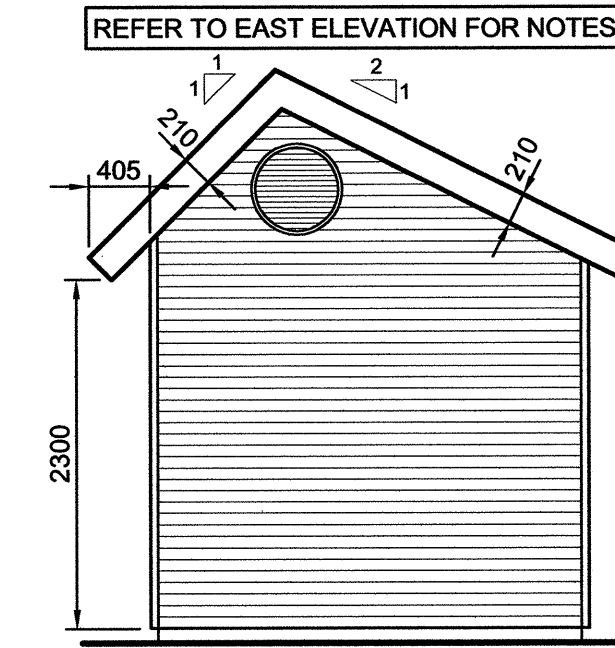
EAVE DETAIL
SCALE 1:10



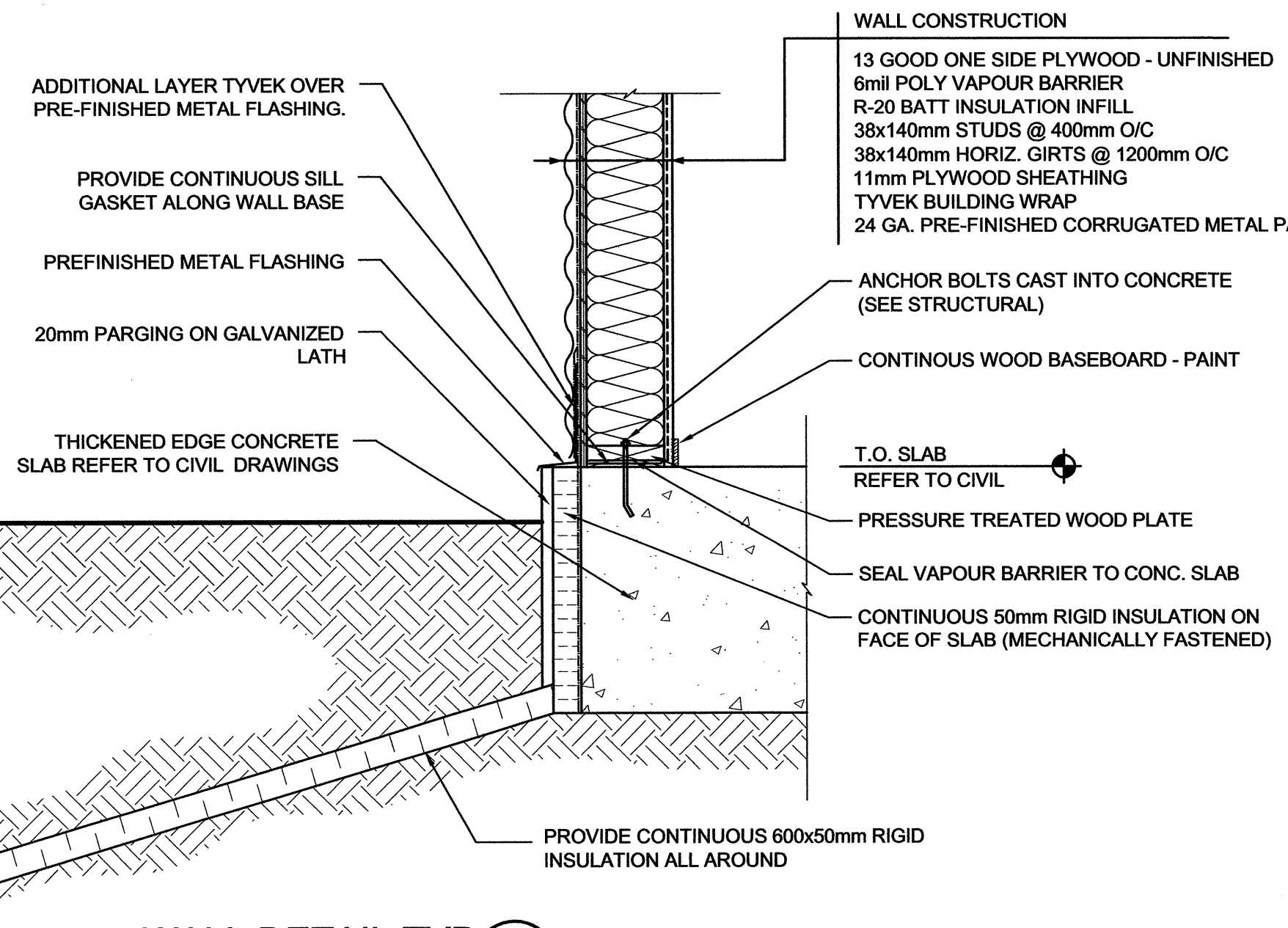
EAVE DETAIL
SCALE 1:10



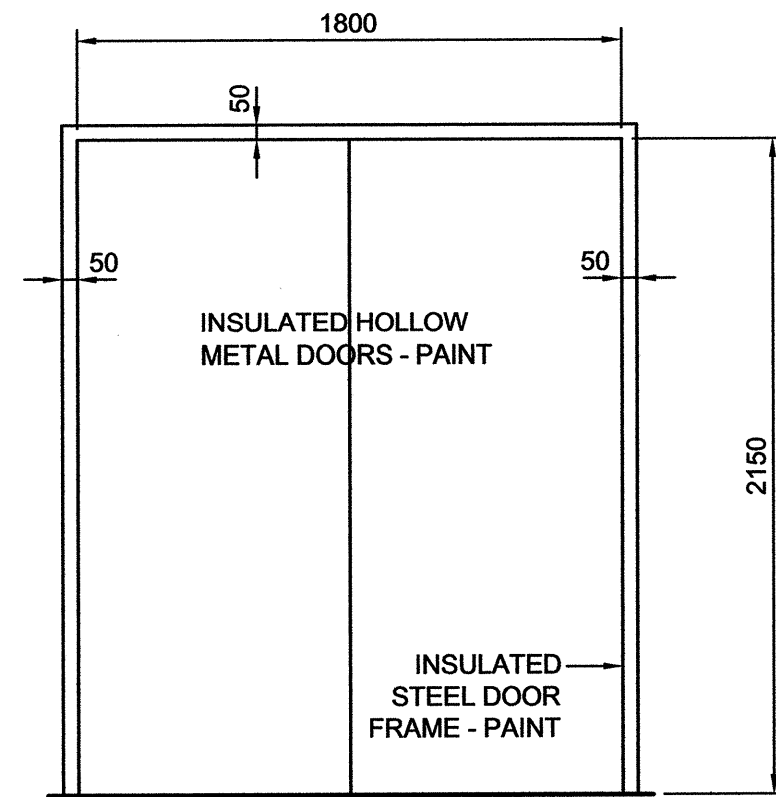
SOUTH ELEV.
SCALE 1:50



WEST ELEV.
SCALE 1:50



WALL DETAIL TYP
SCALE 1:10



DOOR & FRAME
SCALE 1:25

DOOR HARDWARE - D105			
6 EA	HINGE	3CB1 4.5 X 4 NRP	630 IVE
2 EA	SURFACE BOLT	SB454-8-TB	626 IVE
1 EA	DEADBOLT	B660P	626 SCH
1 EA	PULL	2009-2	630 STD
1 EA	ASTRAGAL	W-9	628 KNC
2 EA	SURFACE CLOSER	4111 EDA	689 LCN
2 EA	OVERHEAD STOP	1005 SERIES	630 GLY
2 EA	KICKPLATE	K10A 12" X WIDTH TO SUIT	630 STD
1 EA	THRESHOLD	CT-11	627 KNC
2 EA	DOOR SWEEP	W-13S	628 KNC
2 EA	WEATHERSTRIP	W-20N (TOP ONLY)	628 KNC
1 SET	WEATHERSTRIP	W-50	628 KNC

GENERAL NOTES:

- 1) ALL DIMENSIONS ARE TO BE CONFIRMED WITH CIVIL ENGINEERING DRAWINGS PRIOR TO CONSTRUCTION
- 2) ELEVATION DIMENSIONS ARE TAKEN FROM FINISHED WALL SURFACES
- 3) PRODUCTS AND MATERIALS ARE TO BE INSTALLED IN STRICT ACCORDANCE WITH MANUFACTURER'S SPECIFICATIONS.

14_2009_09_03 Osborne BRT Station VBA CS-2002-T control bldg.dwg



LOCATION UNDERGROUND	APPROVED STRUCTURES	B.M. ELEV.
SUPV. U/G STRUCTURES COMMITTEE	DATE	
NOTE: LOCATION OF UNDERGROUND STRUCTURES AS SHOWN ARE BASED ON THE BEST INFORMATION AVAILABLE BUT NO GUARANTEE IS GIVEN THAT ALL EXISTING UTILITIES ARE SHOWN OR THAT THE GIVEN LOCATIONS ARE EXACT. CONFIRMATION OF EXISTENCE AND EXACT LOCATION OF ALL SERVICES MUST BE OBTAINED FROM THE INDIVIDUAL UTILITIES BEFORE PROCEEDING WITH CONSTRUCTION.		

DESIGNED BY	gparchitecture	ARCHITECT'S SEAL	PROVINCE OF MANITOBA GUY J. O. BÉFONTAINE REGISTERED ARCHITECT
DRAWN BY	dk re jwf		
CHECKED BY			
APPROVED BY			
HOR. SCALE	as noted	RELEASED FOR CONSTRUCTION	ORIGINAL SIGNED BY RANDY FINGAS
VERTICAL		DATE	2010/05/14
1 ISSUED FOR TENDER	10/05/14	DATE	2010/05/14
NO. REVISIONS		DATE	

CONSULTANT PROJECT NO.	088813
------------------------	--------

THE CITY OF WINNIPEG TRANSIT DEPARTMENT

SOUTHWEST RAPID TRANSIT CORRIDOR - STAGE 1
OSBORNE STATION & ASSOCIATED WORKS

CITY DRAWING NUMBER: B237-10- 73
SHEET 73 OF 121
CONSULTANT DRAWING NUMBER: C5-A2002-T