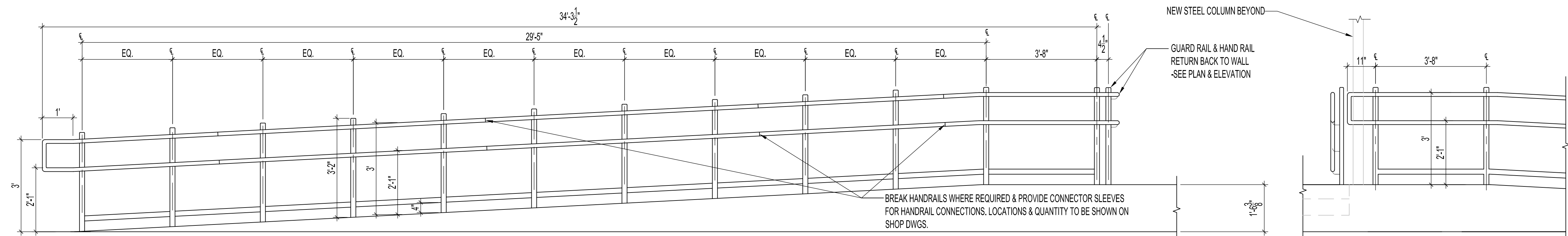
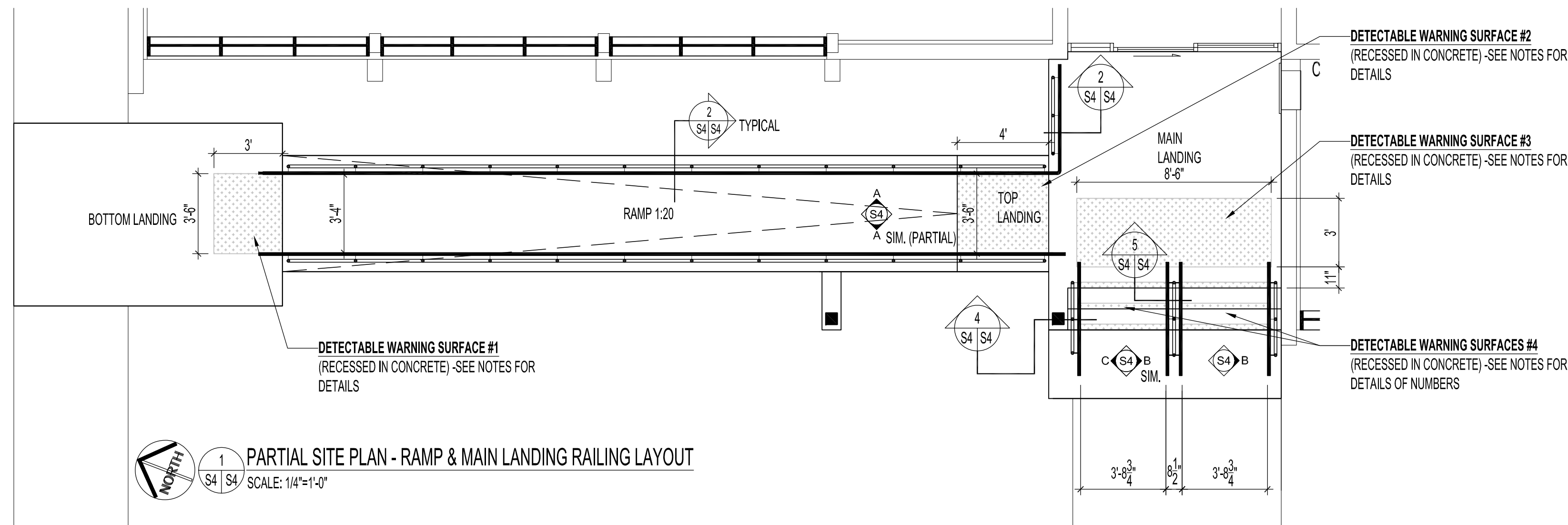
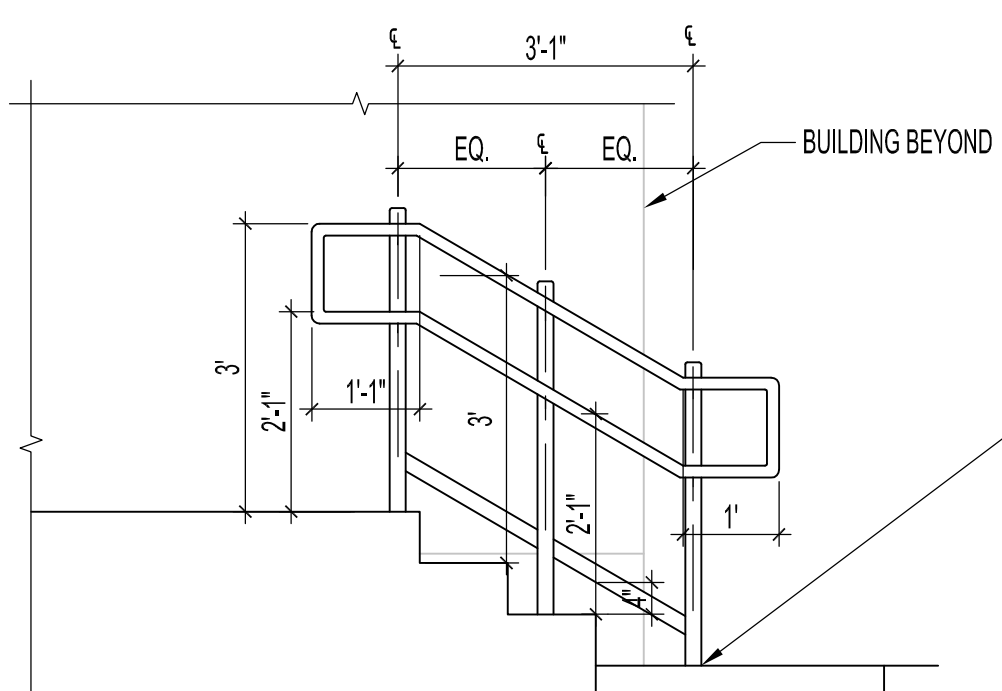


PROJECT No: 2011-096 ADDRESS: 1380 PEMBINA HIGHWAY SHEET TITLE: PARTIAL SITE PLAN-RAMP GUARD & HANDRAIL PLAN, ELEVATIONS, SECTIONS & DETAILS DATE: 2012.07.24 FILE NAME: 2011096(0).dwg/SA

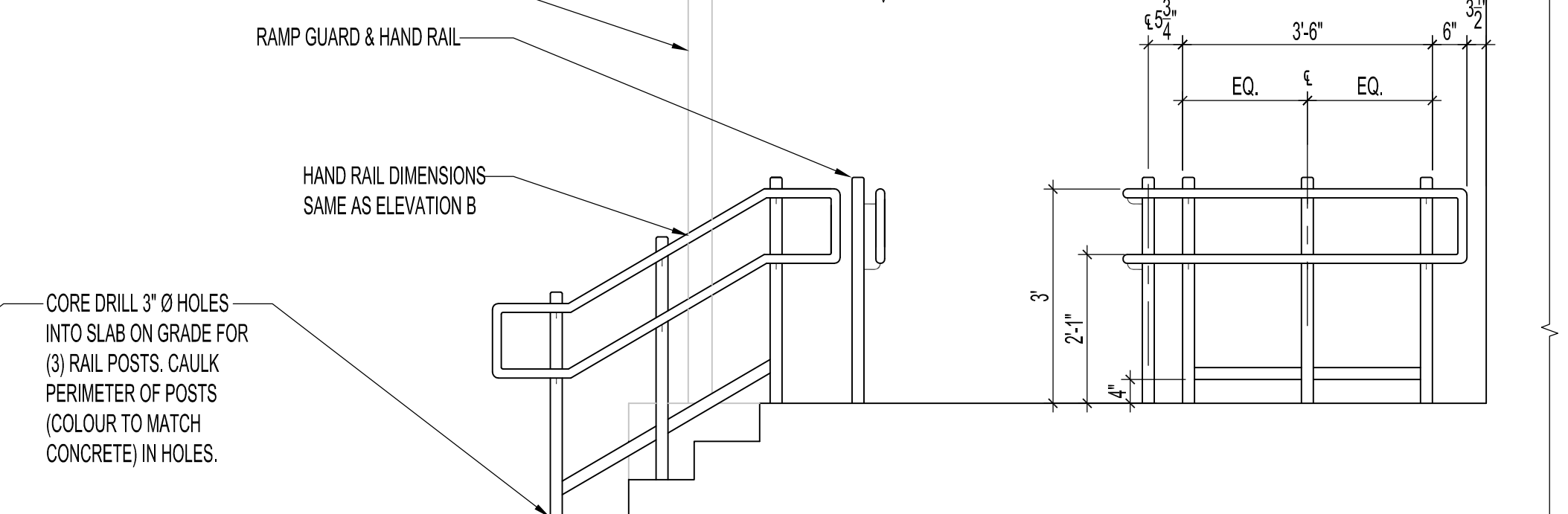


A ELEVATION (SIMILAR PARTIAL) - GUARD RAIL & HANDRAIL (WEST SIDE) SCALE: 1/2"=1'-0"

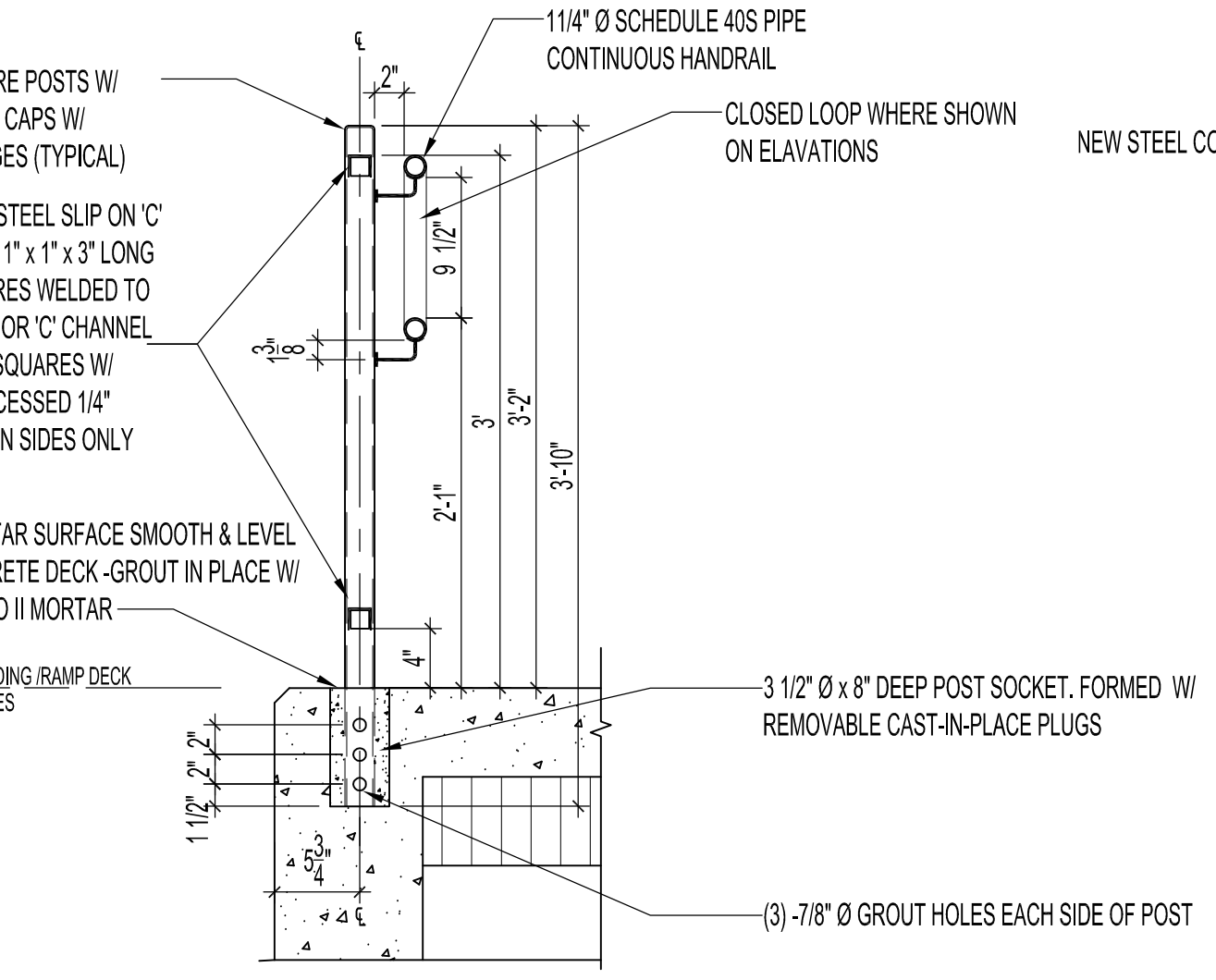
A ELEVATION - GUARD RAIL & HANDRAIL (EAST SIDE) SCALE: 1/2"=1'-0"



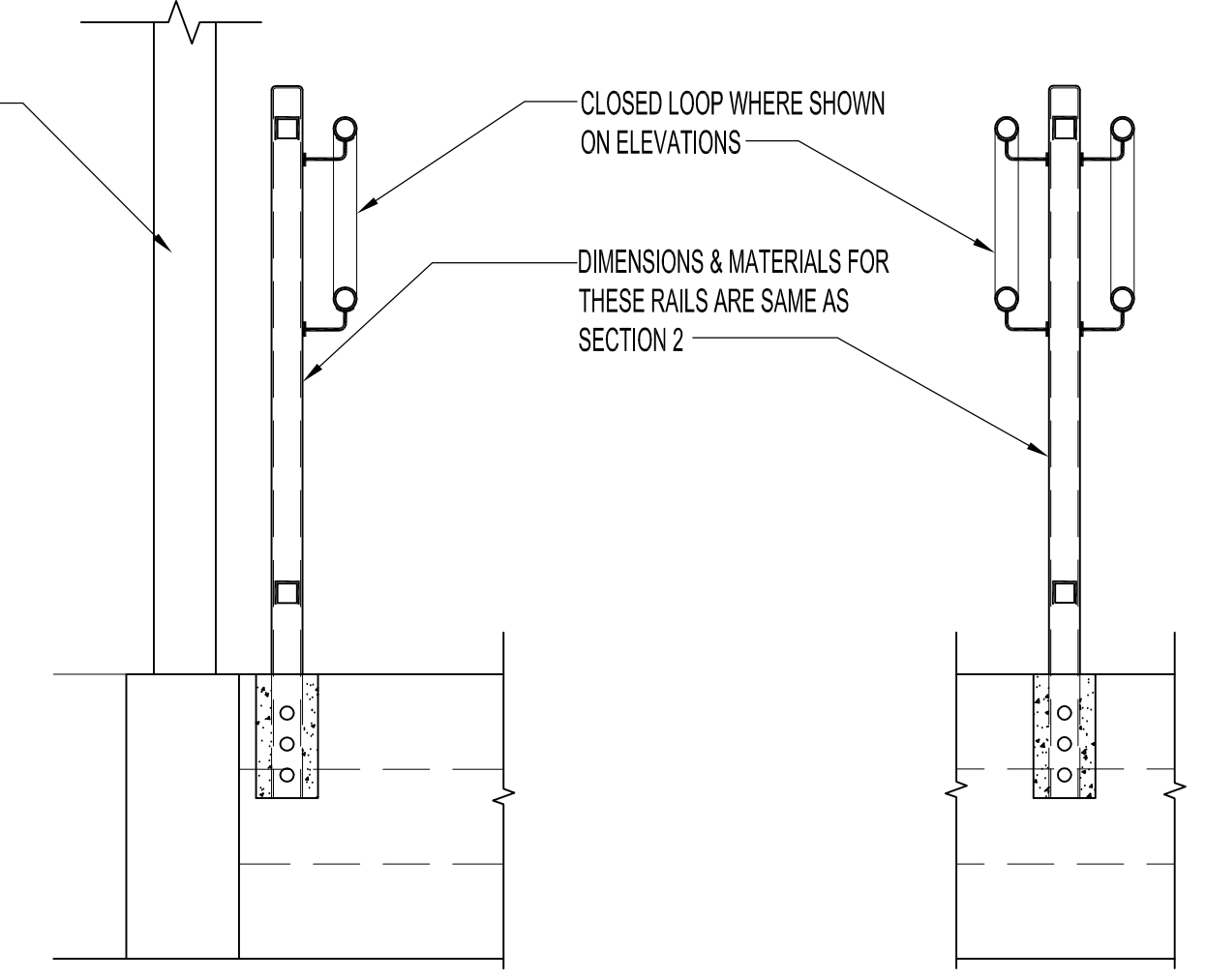
B ELEVATION - HANDRAIL @ WALL & CENTER HANDRAIL SCALE: 1/2"=1'-0"



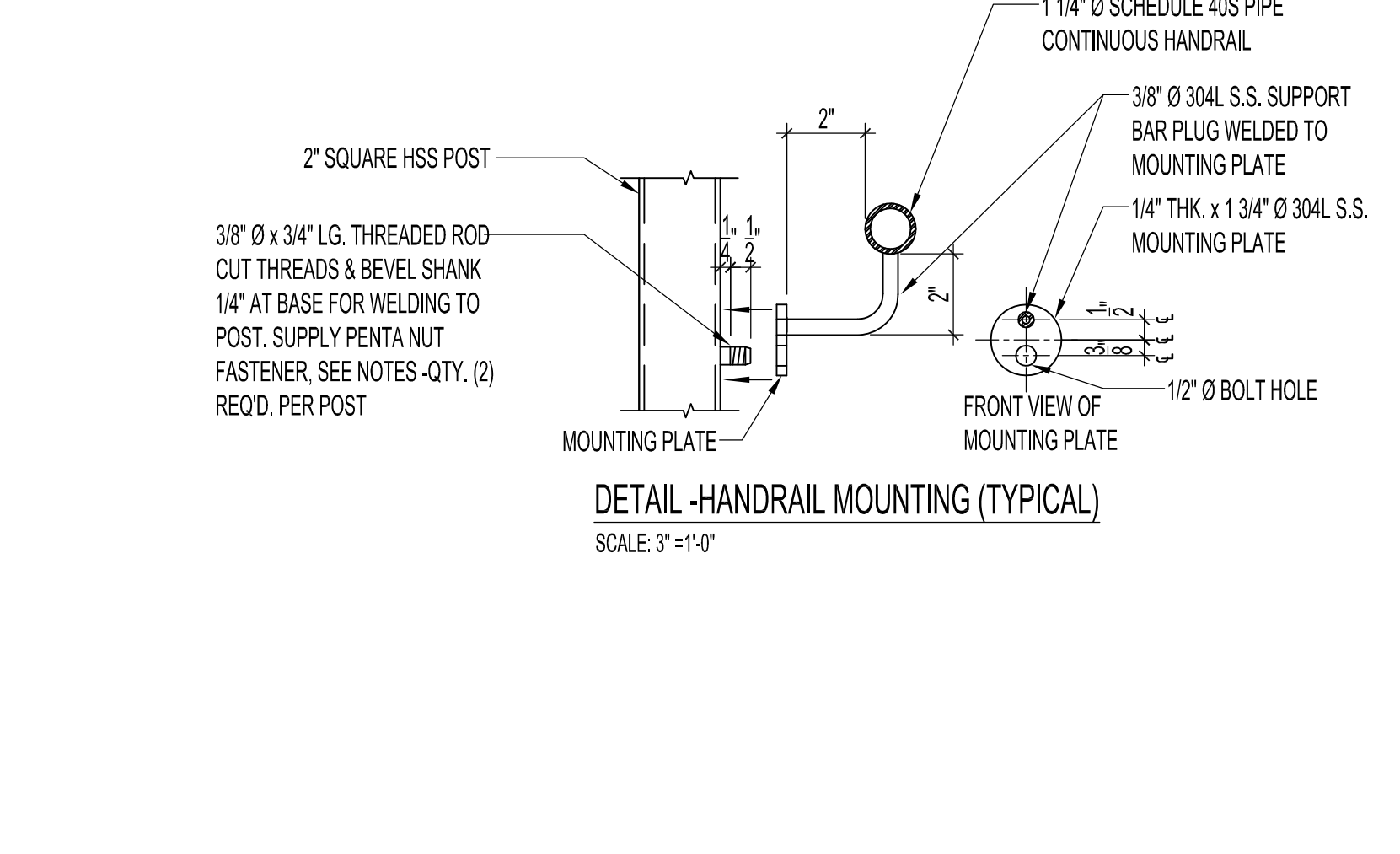
C ELEVATION - GUARD RAIL & HANDRAIL SCALE: 1/2"=1'-0"



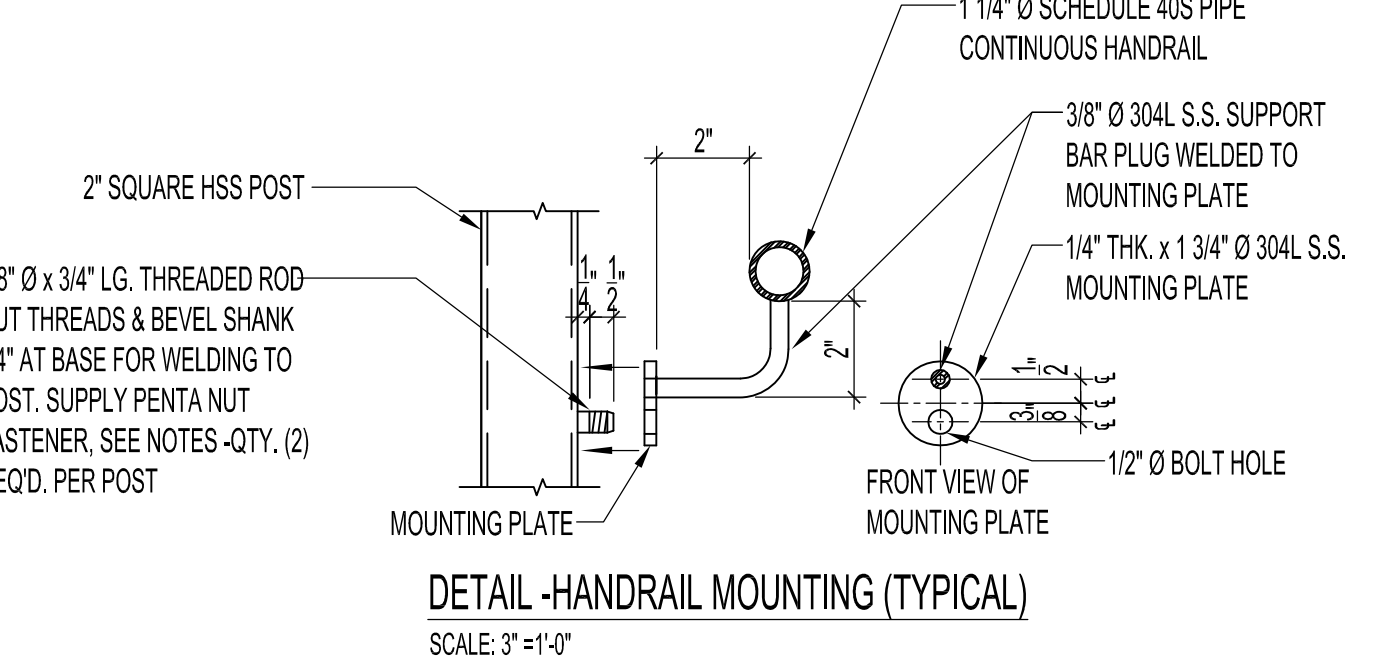
2 SECTION - HANDRAIL (TYPICAL) SCALE: 1"=1'-0"



3 SECTION - HANDRAIL @ STAIRS SCALE: 1"=1'-0"



4 SECTION - CENTER HANDRAIL @ STAIRS SCALE: 1"=1'-0"



DETAIL - HANDRAIL MOUNTING (TYPICAL) SCALE: 3"=1'-0"

**NOTES:**  
 ALL HANDRAIL ASSEMBLIES TO BE 304L STAINLESS STEEL, FINISH: NO 4 (BRUSHED).  
 ALL OTHER GUARD RAIL ASSEMBLIES TO BE POWDER COATED GUN METAL COLOUR. SEE S2 FOR FINISH NOTES.  
 PROVIDE SHOP DRAWINGS FOR ALL RAIL ASSEMBLIES.  
**DETECTABLE WARNING SURFACES #1, #2 & #3**  
 ALL DETECTABLE WARNING SURFACES #1, #2 & #3 TO BE TRUNCATED DOMES, SAFETY YELLOW COLOUR, RECESSED INTO CONCRETE. SIZES AS INDICATED ON PLAN & TO FOLLOW THE STANDARDS OF THE LATEST MANITOBA BUILDING CODE 2010 & THE STANDARDS OF THE LATEST CITY OF WINNIPEG ACCESSIBILITY DESIGN STANDARDS 2010.  
**DETECTABLE WARNING SURFACE #4**  
 STAIR TREADS ARE SUPERGRIT BY WOOSTER PRODUCTS IN 3" WIDTHS, COLOUR SAFETY YELLOW SY-1, TYPE 231BF. ALL TREADS TO BE INSTALLED INTO FRESH CONCRETE. ALL TREADS TO BE INSTALLED CENTERED BETWEEN RAILINGS AND IN LOCATION & SPACING AND SIZES AS NOTED ON SECTIONS. -REQUEST PROTECTIVE TAPE COVERING WHEN ORDERING. -INSTALL & ANCHOR AS PER MANUFACTURER'S INSTRUCTIONS.

ORIGINAL STAMPED BY: B.C.PIUNIUA, P. ENG. DATE: 2012.08.24

No.	REVISION/DESCRIPTION	BY	DATE
SEAL			

DRAWN	CHKD	DESIGNED	APPROVED
DATE	2012.07.24	USER	APPROVAL

THE CITY OF WINNIPEG  
 PLANNING, PROPERTY AND DEVELOPMENT DEPARTMENT  
 MUNICIPAL ACCOMMODATIONS DIVISION  
 3-65 GARRY STREET, R3C 4K4

PROJECT  
 FORT GARRY LIBRARY  
 INTERIOR & EXTERIOR REFURBISHING DESIGN  
 1380 PEMBINA HIGHWAY

SHEET TITLE  
 PARTIAL SITE PLAN  
 RAMP GUARD & HANDRAIL PLAN  
 ELEVATIONS, SECTIONS & DETAILS

SCALE	PROJECT No:	SHEET No:
AS SHOWN	2011-096	S4

DRAWING SHEET SIZE: A1 (841mm x 594mm) PLOT 1:1