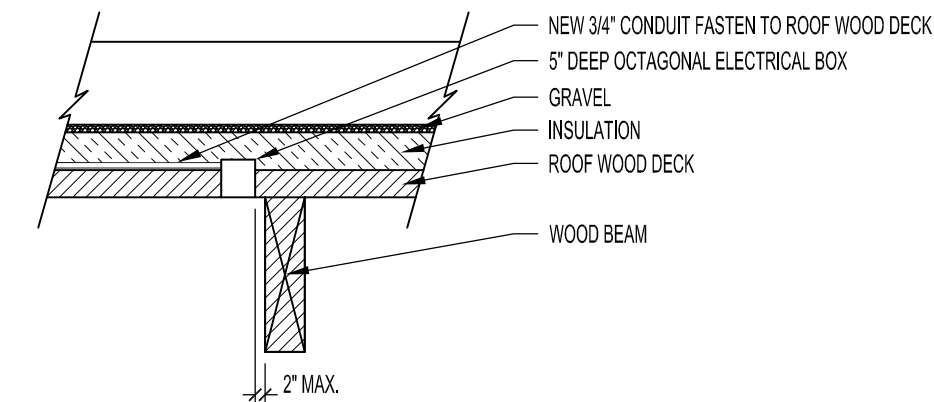
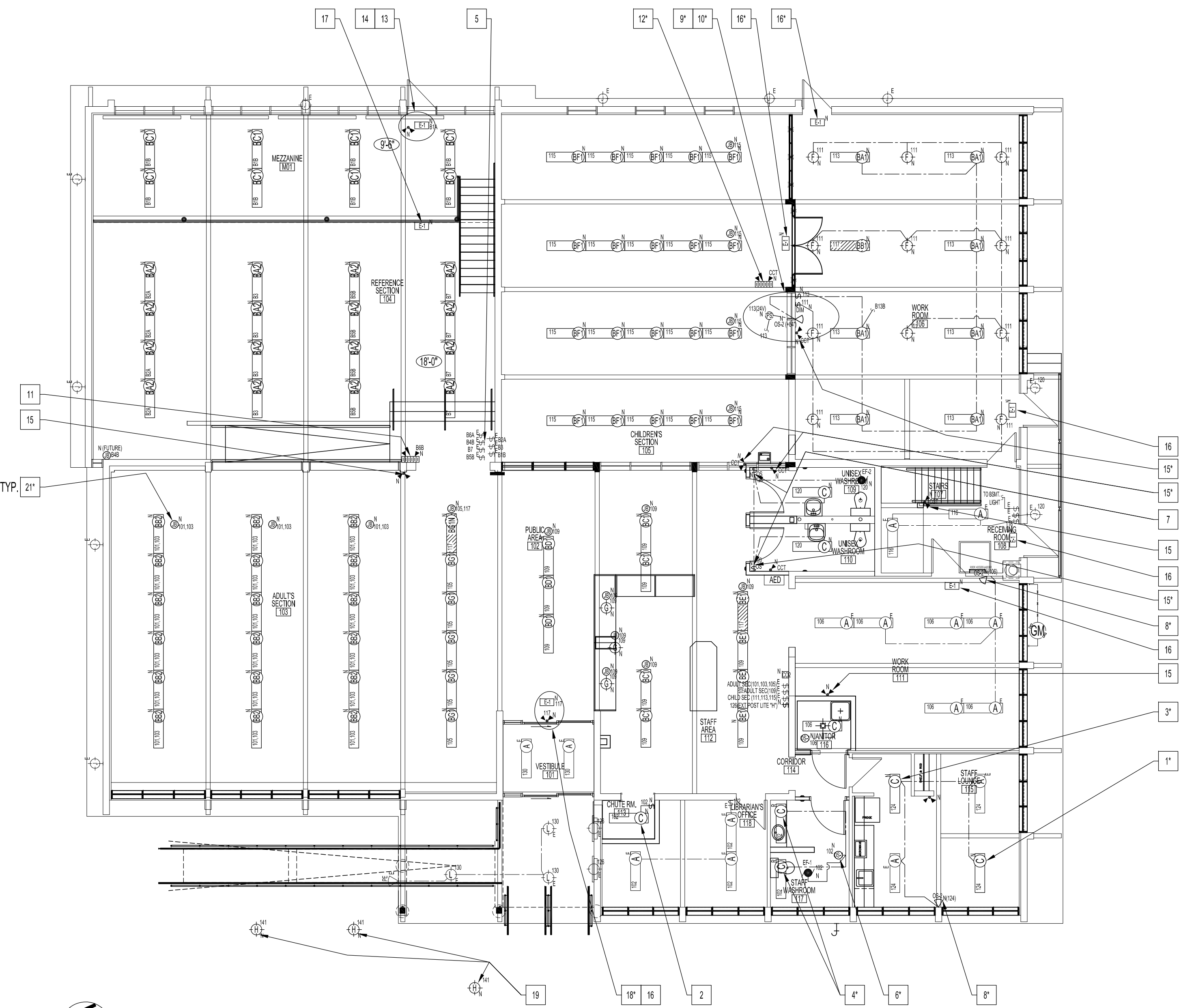


UNDERSIDE MEZZANINE REFLECTED CEILING PLAN - RENOVATION - ELECTRICAL LIGHTING
SCALE: 1/8"=1'-0"



DETAIL
TYPICAL WOOD DECK CEILING OUTLET BOX INSTALLATION
SCALE: N.T.S.



MAIN FLOOR REFLECTED CEILING PLAN - RENOVATION - ELECTRICAL LIGHTING
SCALE: 1/8"=1'-0"

LUMINAIRE SCHEDULE						
TYPE	EXIST	NEW	MANUFACTURER	CATALOGUE No.	LAMP	DESCRIPTION
(DET) (A)	TO BE DEMO				2 X 32W T8	1' X 4', 4 SURFACE MOUNT, 120V, #12 ACRYLIC PRISMATIC LENS
(DET) (BA)		7	PEERLESS CERRA 10	10CRM4 1 54T5HO 20/80 SSB 4FT R4 120 GEB10 SCT LP835 F248 C210 SCEP	1X54W T5HO 3500k	4' PENDANT W/ SCULPTURED END CAP, SEMI-SPECULAR, INDIRECT /DIRECT, 120V, ELEC. BALLAST, 1-CIRCUIT, J-BOX MOUNT
(DET) (BB)		1	PEERLESS CERRA 10	10CRM4 1 54T5HO 20/80 SSB 4FT R4 120 GEB10 1SE EC SCT LP835 F248 C210 SCEP	1X54W T5HO 3500k	4' PENDANT W/ SCULPTURED END CAP, SEMI-SPECULAR, INDIRECT /DIRECT, 120V, ELEC. BALLAST, 1-CIRCUIT, J-BOX MNT, NIGHT LIGHT WIRE TO NIGHT LIGHT CIRCUIT
(DET) (BC)		6	PEERLESS CERRA 10	10CRM4 1 54T5HO 20/80 SSB 8FT R8 120 GEB10 SCT LP835 F248 C210 SCEP	(2) 1X54W T5HO 3500k	8' PENDANT W/ SCULPTURED END CAP, SEMI-SPECULAR, INDIRECT /DIRECT, 120V, ELEC. BALLAST, 1-CIRCUIT, J-BOX MOUNT
(DET) (BD)		1	PEERLESS CERRA 10	10CRM4 1 54T5HO 20/80 SSB 12FT R12 120 GEB10 SCT LP835 F248 C210 SCEP	(3) 1X54W T5HO 3500k	12' PENDANT W/ SCULPTURED END CAP, SEMI-SPECULAR, INDIRECT /DIRECT, 120V, ELEC. BALLAST, 1-CIRCUIT, J-BOX MOUNT
(DET) (BE)		1	PEERLESS CERRA 10	10CRM4 1 54T5HO 20/80 SSB 16FT R8 120 GEB10 1SE EC SCT LP835 F248 C210 SCEP	(4) 1X54W T5HO 3500k	16' PENDANT W/ SCULPTURED END CAP, SEMI-SPECULAR, INDIRECT /DIRECT, 120V, ELEC. BALLAST, 1-CIRCUIT, J-BOX MOUNT, NIGHT LIGHT WIRE TO NIGHT LIGHT CIRCUIT
(DET) (BF)		4	PEERLESS CERRA 10	10CRM4 1 54T5HO 20/80 SSB 20FT R8 120 GEB10 SCT LP835 F248 C210 SCEP	(5) 1X54W T5HO 3500k	20' PENDANT W/ SCULPTURED END CAP, SEMI-SPECULAR, INDIRECT /DIRECT, 120V, ELEC. BALLAST, 1-CIRCUIT, J-BOX MOUNT
(DET) (BG)		1	PEERLESS CERRA 10	10CRM4 1 54T5HO 20/80 SSB 24FT R12 120 GEB10 1SE EC SCT LP835 F248 C210 SCEP	(6) 1X54W T5HO 3500k	24' PENDANT W/ SCULPTURED END CAP, SEMI-SPECULAR, INDIRECT /DIRECT, 120V, ELEC. BALLAST, 1-CIRCUIT, J-BOX MOUNT, NIGHT LIGHT WIRE TO NIGHT LIGHT CIRCUIT
(DET) (BH)		4	PEERLESS CERRA 10	10CRM4 2 54T5HO 20/80 SSB 16FT R8 120 GEB10 SCT LP835 F248 C210 SCEP	(4) 2X54W T5HO 3500k	16' PENDANT W/ SCULPTURED END CAP, SEMI-SPECULAR, INDIRECT /DIRECT, 120V, ELEC. BALLAST, 1-CIRCUIT, J-BOX MOUNT
(DET) (BI)		3	PEERLESS CERRA 10	10CRM4 2 54T5HO 20/80 SSB 24FT R12 120 GEB10 DCT LP835 F248 C210 SCEP	(6) 2X54W T5HO 3500k	24' PENDANT W/ SCULPTURED END CAP, SEMI-SPECULAR, INDIRECT /DIRECT, 120V, ELEC. BALLAST, 2-CIRCUIT, J-BOX MOUNT
(DET) (C)	REUSE TYPE "A"				2 X 32W T8, 3500K, RELAMP	1' X 4', SURFACE MOUNT, 120V, #12 ACRYLIC PRISMATIC LENS
(DET) (E)	TO BE DEMO				2 X 32W T8, 3500K, RELAMP	1' X 4', RECESS, 120V, #12 ACRYLIC PRISMATIC LENS
(DET) (E)		1				NIGHT LIGHT (TO BE REWIRE AS NIGHT LIGHT)
(DET) (E)		11	GOATHAM CA PAR38	CA6 6MB DWHG	20.3W LED, 3000K	6" OD X 9-5/8" HT. INCANDESCENT CYLINDER, CEILING MOUNT, BLACK BAFFLE, MATTE WHITE
(DET) (E)		3	EUREKA SPIN 4236	4236 F.T5.C.22 120V AC 60 WH FRO, CIW STD.60"	22W T5 CFL=1800 LMS	SUSPENDED CIRCLINE COMPACT FLUORESCENT LAMP W/ 19.7" OD, FROSTED DIFFUSER FINISH, 120V
(DET) (E)		3	PHILIPS LUMEC	PCDS480-60CW-2H-120-BE2TX/DSRJ-12-BKTX	60 CW CERAMIC MH (COSMOPOLIS)	EXTERIOR LUMINAIRE WITH 12 FOOT STEEL POLE, 120V, ASYMMETRICAL LIGHT DISTR. FORWARD AND BOTH SIDES, COLOUR: TEXTURED BLACK
(DET) (E)	EXIST				70W HPS	OUTDOOR WALL MOUNTED NON-CUTOFF WPHOTOCELL, 120V
(DET) (E)	65 TO BE DEMO				3 X 32W T8,	2' X 4', SURFACE, 120V, A12 PRISMATIC ACRYLIC
(DET) (E)					70W HPS	OUTDOOR CEILING MOUNTED PRISMATIC, 120V
(DET) (E)	REPLACE	8	AIMLITE	RPST U M WHT UNVDC		STEEL PICTOGRAM EXIT SIGN WITH THREE PICTOGRAM LEGENDS FOR DIRECTION SELECTION. UNIVERSAL FACES, MOUNTING & DC BACKUP VOLTAGE FROM 6 TO 24 VDC, WHITE EXISTING TO BE REPLACED WITH NEW AS SHOWN.
(DET) (E)		2	AIMLITE	EBST 12		COMPACT DOUBLE HEAD REMOTE, 12 VDC, 3.7 W LED, WHITE
(DET) (E)		8	AIMLITE	RMMB 2 12 LED 3.7L WHT		COMPACT DOUBLE HEAD REMOTE, 12 VDC, 3.7 W LED, WHITE
(DET) (E)		2	AIMLITE	RMMB 1 12 LED 3.7L WHT		COMPACT SINGLE HEAD REMOTE, 12 VDC, 3.7 W LED, WHITE

ALL NEW LIGHTING FIXTURES AND BALLASTS TO BE POWERSMART APPROVED & SUPPLIED BY R.D. SALES (WINNIPEG). LIGHTING FIXTURE QUANTITIES SHOWN ABOVE ARE FOR REFERENCE ONLY. CONTRACTOR IS RESPONSIBLE FOR QUANTITY TAKE-OFF FROM DRAWING.

LUMINAIRE MOUNTING HEIGHTS
TYPE "B" SHALL BE SUSPENDED FLUSH TO BOTTOM OF THE BEAMS.
TYPE "A", "C", "E", "F", ARE SURFACE MOUNTED.
TYPE "G" SHALL BE SUSPENDED 10 FT AFF.
TYPE "BB2" SHALL BE SUSPENDED 9 FT AFF.

RENOVATION NOTES - ELECTRICAL LIGHTING
ALSO SEE NOTES ON DRAWING E1.
--- TO BE DEMOLISHED
--- EXISTING

- * INDICATES ALL CONDUITS SHALL BE INSTALLED ON THE EXTERIOR SIDE OF THE ROOF DECK TERMINATING TO 6" DEEP OCTAGONAL BOX. SEE DRAWING E4, TYPICAL WOOD DECK CEILING OUTLET BOX INSTALLATION DETAIL.
- 1. EXISTING LUMINAIRE ROTATED 90° AS SHOWN. LOCATION SHALL BE EQUALLY SPACED IN THE "X" & "Y" POSITION WITH EXISTING LUMINAIRES IN THE ROOM.
- 2. EXISTING TYPE "A" LUMINAIRE ROTATED & CENTERED WITHIN NEW CHUTE ROOM. REWIRE TO ITS OWN CIRCUIT WITH WALL SWITCH, SUPPLY & INSTALL.
- 3. RELOCATED EXISTING LUMINAIRE FROM LIBRARIAN OFFICE 118. WIRE TO EXISTING CIRCUIT WITH NEW OCCUPANCY SENSOR LIGHT SWITCH. LOCATION SHALL BE EQUALLY SPACED IN THE "X" & "Y" POSITION WITH EXISTING LUMINAIRES IN THE ROOM.
- 4. RELOCATED EXISTING LUMINAIRE FROM REFERENCE SECTION 104. WIRE TO NEW CEILING MOUNT OCCUPANCY SENSOR (SUPPLY & INSTALL). INSTALL CENTERED BETWEEN WALLS AND 12" FROM NORTH WALL.
- 5. SVS TO BE REWIRED TO CEILING-MOUNT JUNCTION BOX FOR FUTURE LIVING WALL LUMINAIRE.
- 6. SUPPLY & INSTALL CEILING MOUNT OCCUPANCY SENSOR, AS SHOWN, TO OPERATE LUMINAIRES AND ROOF EXHAUST DIRECT DRIVE. EF-1 SHOWN. SUPPLY & INSTALL TIMER & RELAY TO EF-1 TO OPERATE 5 TO 10 MINUTES AFTER OCCUPANCY IS NOT DETECTED. INTERCONNECT ROOF EXHAUST FAN TO FIRE ALARM SYSTEM TO SHUT-DOWN IN THE EVENT OF A FIRE ALARM.
- 7. SUPPLY & INSTALL OCCUPANCY SENSOR SWITCH, AS SHOWN, TO OPERATE LUMINAIRES AND ROOF EXHAUST DIRECT DRIVE. EF-2 SHOWN. SUPPLY & INSTALL TIMER & RELAY TO EF-2 TO OPERATE 5 TO 10 MINUTES AFTER OCCUPANCY IS NOT DETECTED. EITHER WASH-ROOM OCCUPANCY DETECTION SHALL OPERATE EF-1. WIRING & CONDUIT SHALL BE CONCEALED IN FINISH CEILING & WALLS. INTERCONNECT ROOF EXHAUST FAN TO FIRE ALARM SYSTEM TO SHUT-DOWN IN THE EVENT OF A FIRE ALARM.
- 8. SUPPLY & INSTALL WALL MOUNT OCCUPANCY SENSOR, AS SHOWN, TO EXISTING CONCRETE BLOCK WALL. MOUNT 4" FROM UNDERSIDE OF BEAM.
- 9. SUPPLY & INSTALL 24V DC WALL MOUNT OCCUPANCY SENSOR AS SHOWN, WITH 24V DC POWER SUPPLY. INSTALL OUT OF VIEW. SEE ELECTRICAL LEGEND. CONNECT TO LUMINAIRES VIA EXTERIOR ROOF WOOD DECK. SEE TYPICAL WOOD DECK CEILING OUTLET BOX INSTALLATION DETAIL.

- 10. SUPPLY & INSTALL DIMMER SWITCH, AS SHOWN, CONNECT TO LUMINAIRES VIA EXTERIOR ROOF WOOD DECK. SEE TYPICAL WOOD DECK CEILING OUTLET BOX INSTALLATION DETAIL.
- 11. SUPPLY & INSTALL EMERGENCY BATTERY UNIT / TWO TOP MOUNT HEADS AS PER EXISTING LOCATION. UTILIZE EXISTING DUPLEX RECEPTACLE.
- 12. SUPPLY & INSTALL EMERGENCY BATTERY UNIT / TWO TOP MOUNT HEADS AS PER EXISTING LOCATION. REWORK EXISTING DUPLEX RECEPTACLE & WIRING TO CONCEAL WIRING IN WALL OR HAVE IT RE-ROUTED FROM EXTERIOR ROOF DECK. SEE TYPICAL WOOD DECK CEILING OUTLET BOX INSTALLATION DETAIL.
- 13. REPLACE EXISTING EMERGENCY EXIT SIGN WITH NEW.
- 14. SUPPLY & INSTALL EMERGENCY REMOTE HEAD UNDERSIDE OF MEZZANINE NEXT TO REPLACED EMERGENCY EXIT SIGN. CONCEAL ALL WIRING IN WALL.
- 15. SUPPLY & INSTALL EMERGENCY REMOTE HEAD AS A REPLACEMENT FOR EXISTING OR MOUNT MINIMUM 8 FEET ABOVE FINISHED FLOOR. FOR NEW INSTALLATION, CONCEAL ALL WIRING IN WALL.
- 16. SUPPLY & INSTALL EMERGENCY EXIT SIGN AS A REPLACEMENT FOR EXISTING OR MOUNT MINIMUM 8 FEET ABOVE FINISHED FLOOR. FOR NEW INSTALLATION, CONCEAL ALL WIRING IN WALL.
- 17. SUPPLY & INSTALL EMERGENCY EXIT SIGN MINIMUM 8 FEET ABOVE FINISHED FLOOR ON MEZZANINE FLOORWALL. CONCEAL ALL WIRING IN MEZZANINE FLOORWALL.
- 18. SUPPLY & INSTALL EMERGENCY REMOTE HEAD MINIMUM 8 FEET ABOVE FINISHED FLOOR ON WALL ABOVE DOUBLE DOOR. CONCEAL ALL WIRING IN WALL.
- 19. SEE ELECTRICAL RENOVATION - POWER, DATA, COMM. NOTES FOR EXTERIOR LUMINAIRES WITH 12-FOOT STEEL POST.
- 20. EXISTING LUMINAIRES TO BE REWIRE TO NIGHT LIGHT CIRCUIT.
- 21. TYPICAL INSTALL FOR CEILING CABLE SUSPENDED LUMINAIRES SHOWN JUNCTION BOX CENTER LINE IS FOR CLARITY - BUT ACTUAL JUNCTION BOX CENTER LINE MAY VARY.

NOTES:
SEE NOTES ON SHEET E1.

No.	REVISION/DESCRIPTION	BY	DATE

DRAWN	CHECKED	DESIGNED	APPROVED

THE CITY OF WINNIPEG
PLANNING, PROPERTY AND
DEVELOPMENT DEPARTMENT
MUNICIPAL ACCOMMODATIONS DIVISION
3-65 GARRY STREET, R3C 4K4

PROJECT
FORT GARRY LIBRARY
INTERIOR & EXTERIOR REFURBISHING

1360 PEMBINA HWY
SHEET TITLE
UNDERSIDE MEZZANINE AND MAIN FLOOR
REFLECTED CEILING PLANS - RENOVATION
ELECTRICAL LIGHTING

SCALE	PROJECT No:	SHEET No:
AS SHOWN	2011-096-01	E4