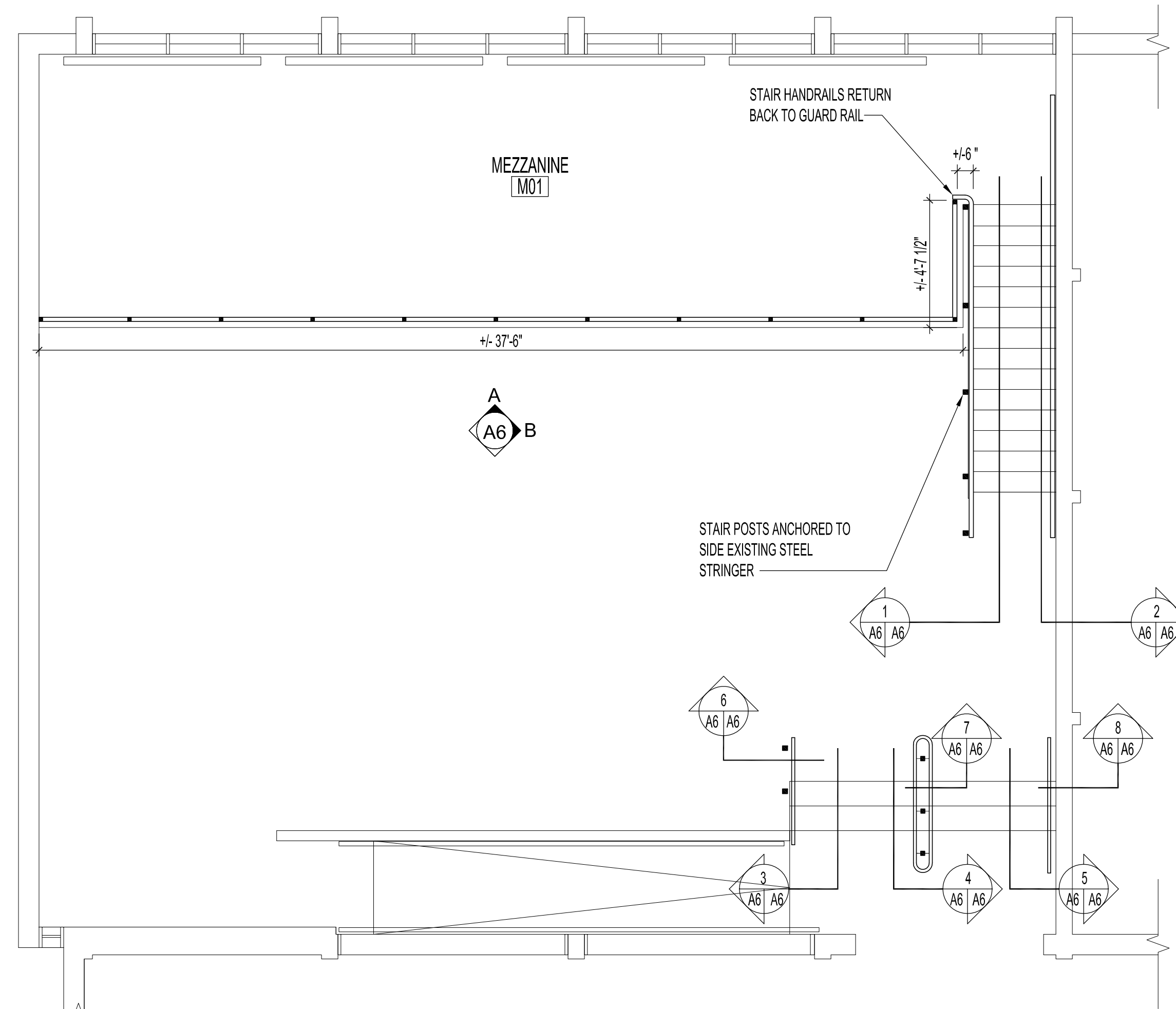
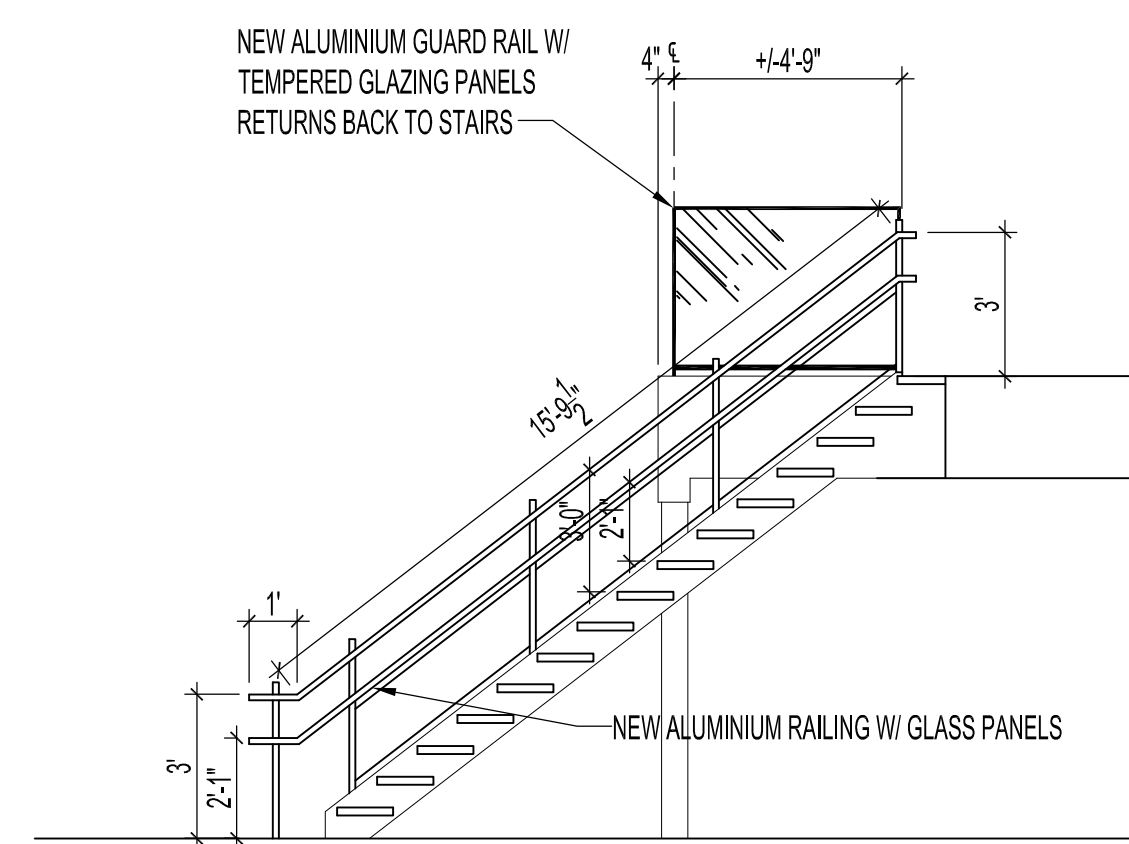


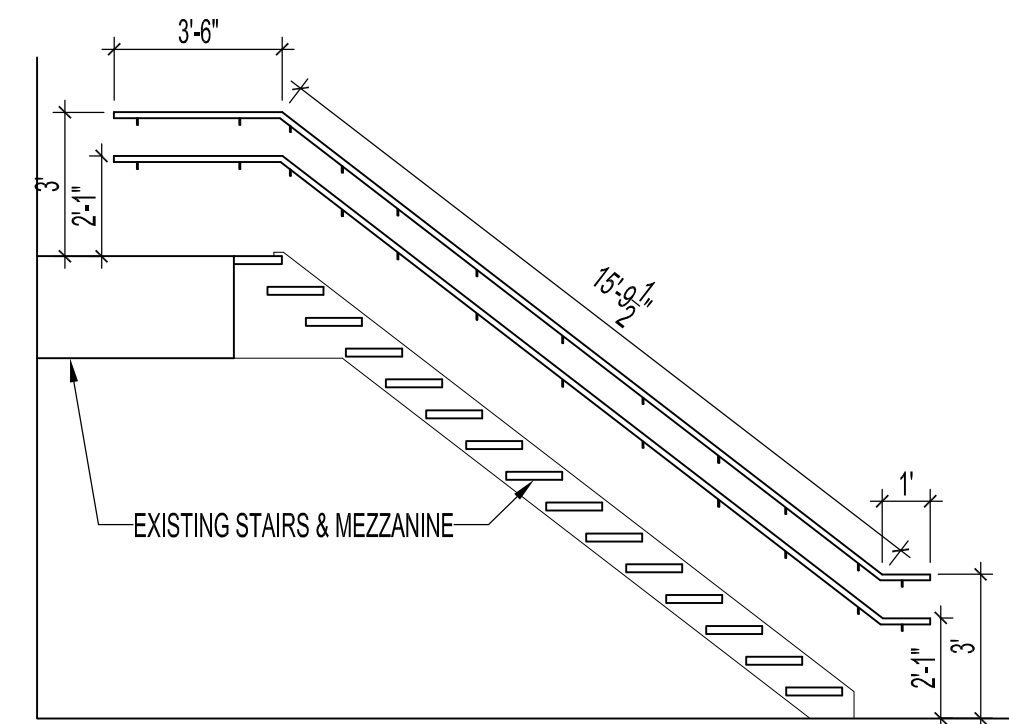
FILE NAME: 2011-096/0.dwg/A6 DATE: 2012.07.24 SHEET TITLE: MAIN & MEZZANINE FLOOR PLAN - NEW GUARD & STAIR RAILING PROJECT No: 2011-096 ADDRESS: 1360 PEMBINA HIGHWAY



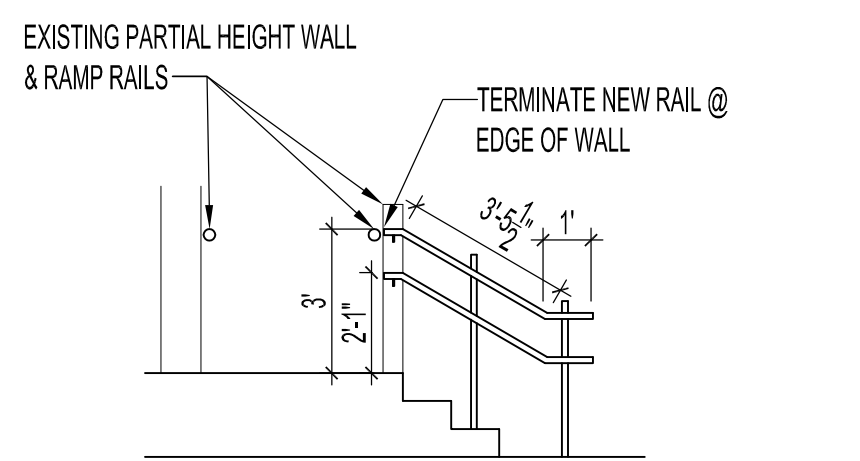
1 PARTIAL MAIN & MEZZANINE FLOOR PLAN - NEW GUARD & STAIR RAILING
SCALE: 1/4"=1'-0"



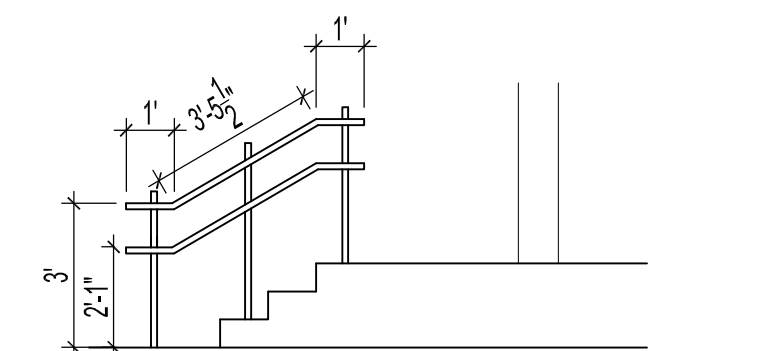
1 SECTION - STAIR & GUARD RAIL
SCALE: 1/4"=1'-0"



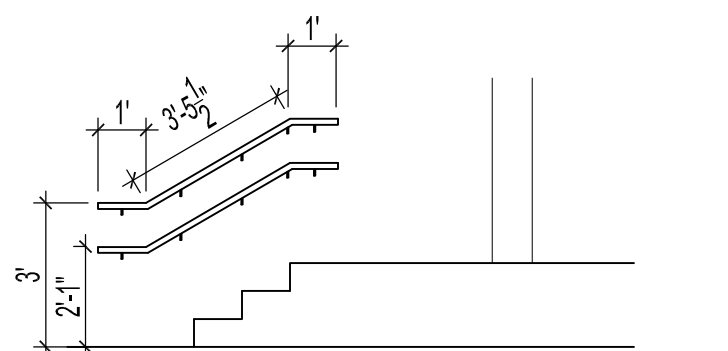
2 SECTION - WALL STAIR RAIL
SCALE: 1/4"=1'-0"



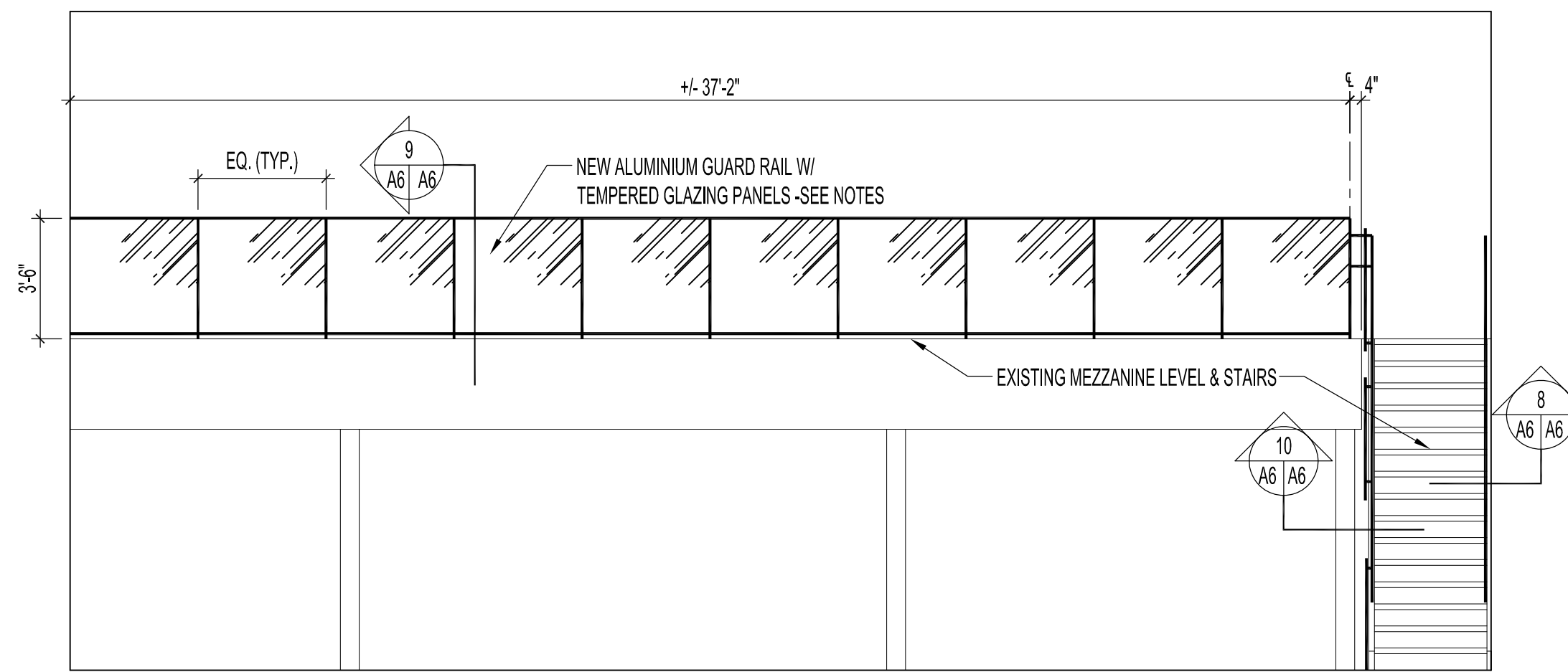
3 SECTION/ELEVATION - STAIR RAIL @ WALL & RAMP
SCALE: 1/4"=1'-0"



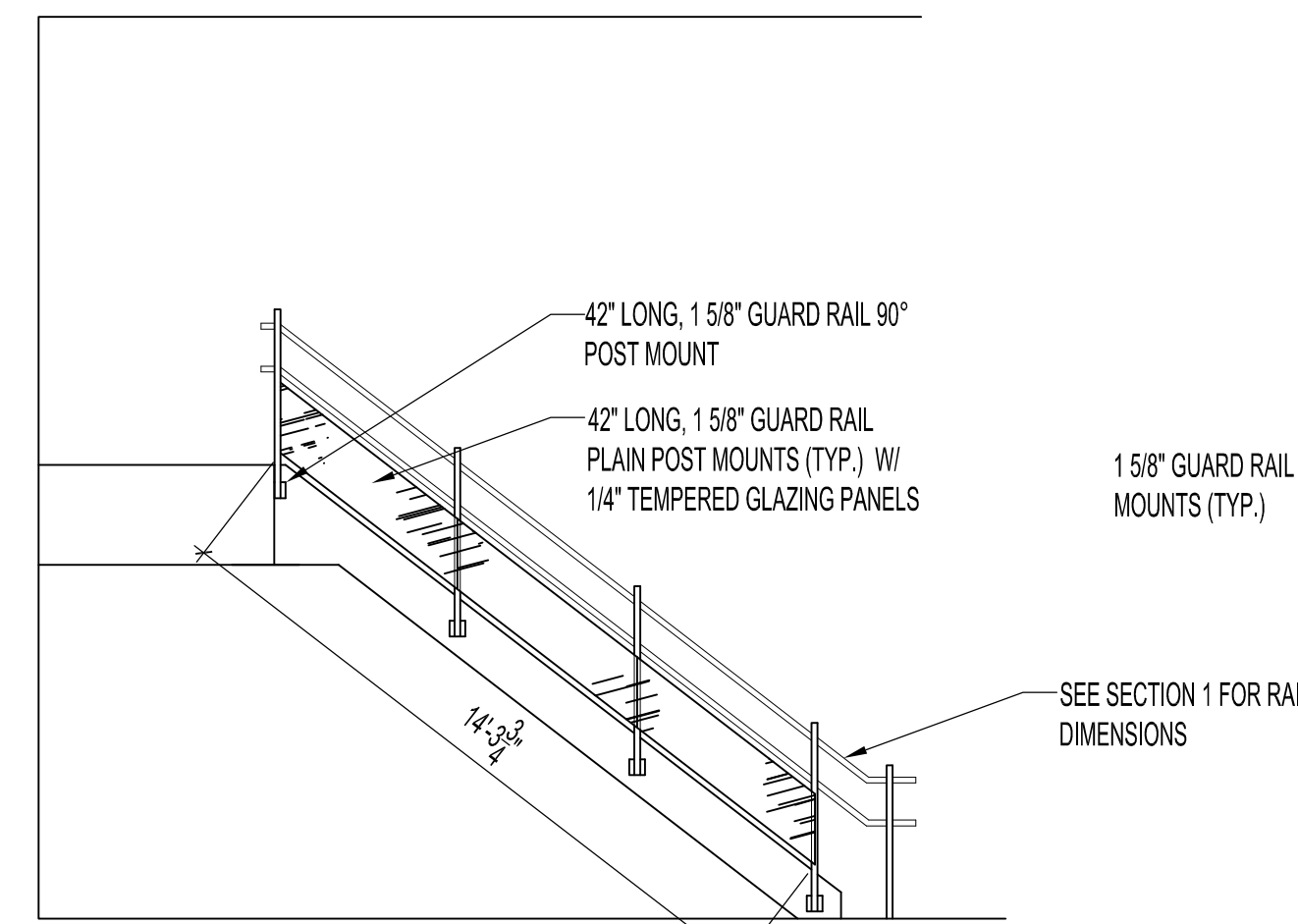
4 SECTION/ELEVATION - CENTER STAIR RAIL
SCALE: 1/4"=1'-0"



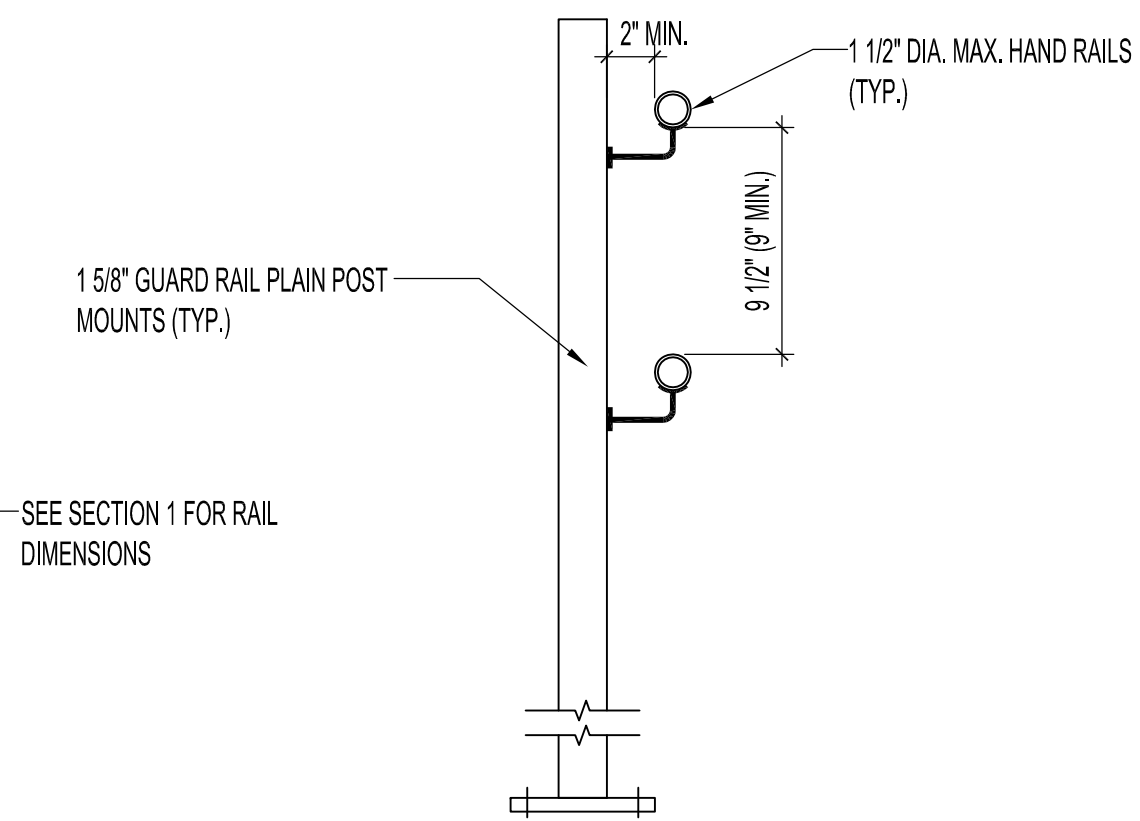
5 SECTION/ELEVATION - WALL STAIR RAIL
SCALE: 1/4"=1'-0"



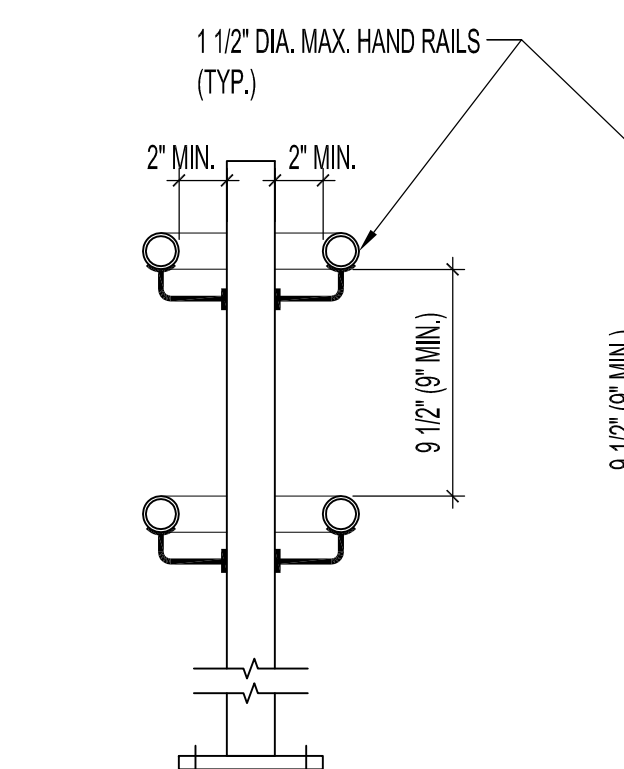
ELEVATION 'A' - MEZZANINE STAIRS & GUARD RAIL
SCALE: 1/4"=1'-0"



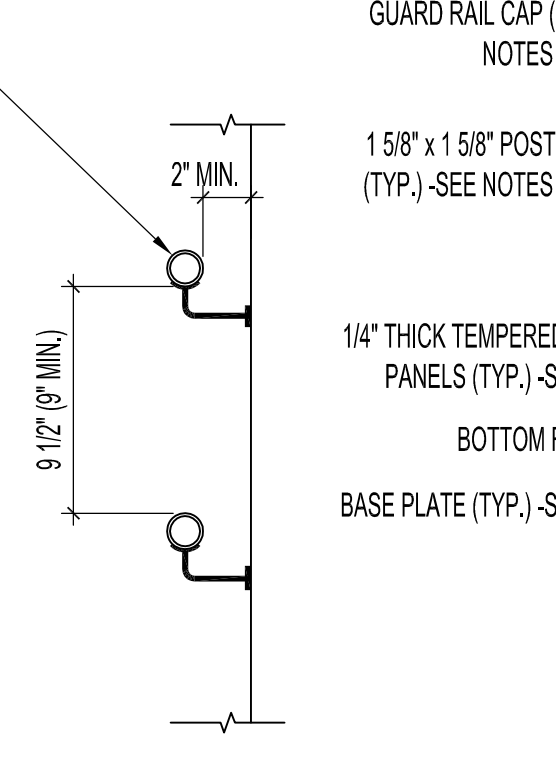
ELEVATION 'B' - MEZZANINE STAIR GUARD RAIL
SCALE: 1/4"=1'-0"



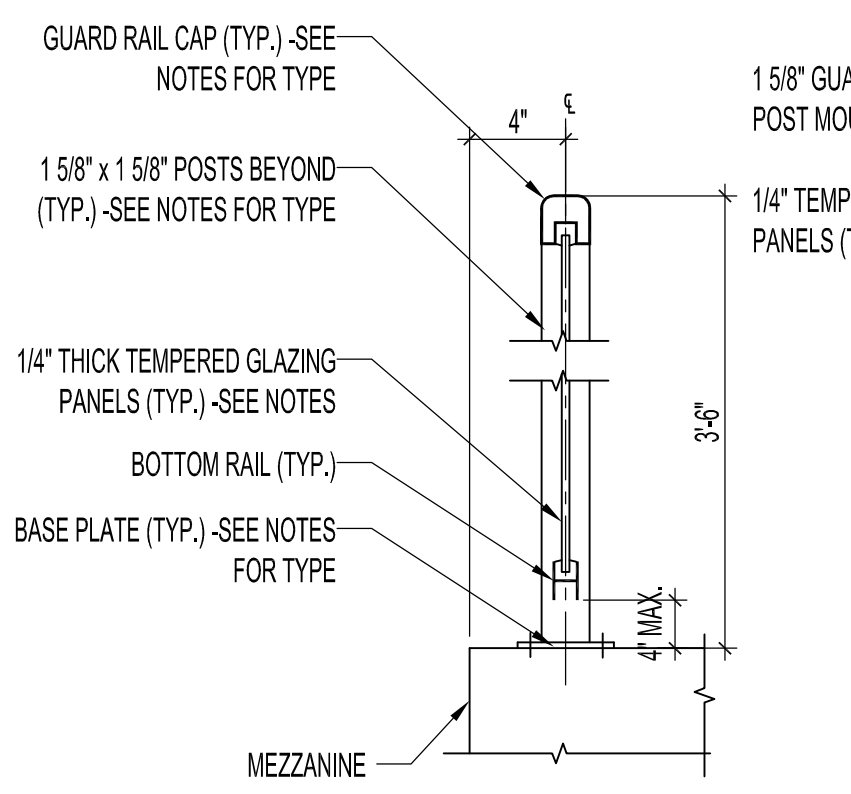
6 SECTION - STAIR RAIL @ RAMP
SCALE: 1 1/2"=1'-0"



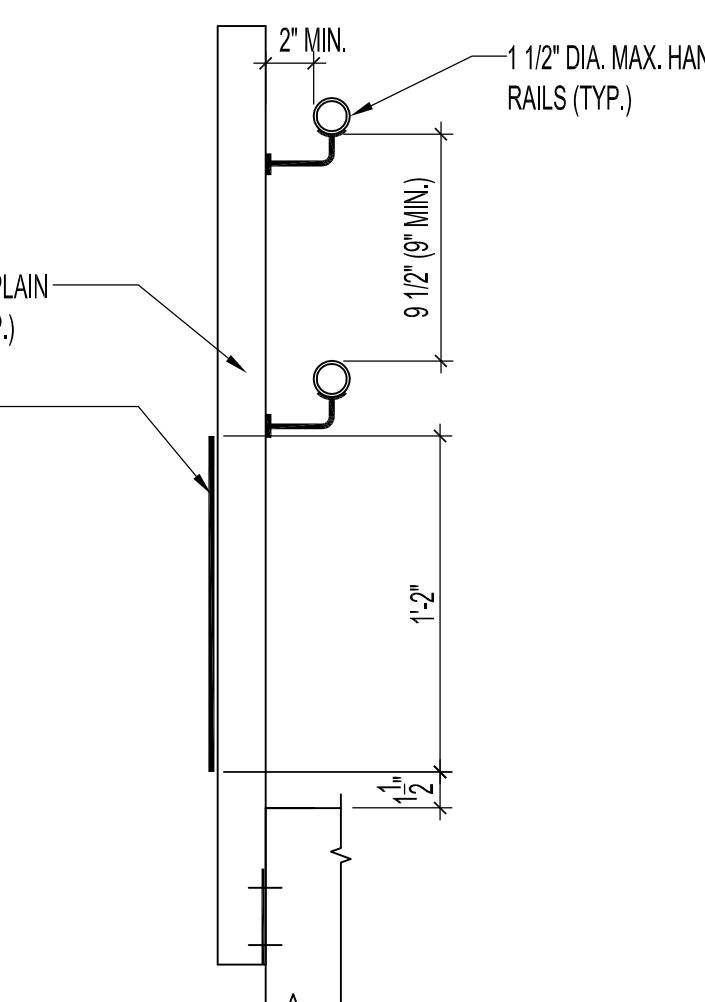
7 SECTION - CENTER HAND RAIL
SCALE: 1 1/2"=1'-0"



8 SECTION - HAND RAIL @ WALL
SCALE: 1 1/2"=1'-0"



9 SECTION - GUARD RAIL
SCALE: 1 1/2"=1'-0"



10 SECTION - STAIR RAIL @ STRINGER
SCALE: 1 1/2"=1'-0"

NOTES:

CODES FOR RAILINGS, GUARDS ARE TO FOLLOW THE GUIDELINES OF THE MANITOBA BUILDING CODE 2010 & CURRENT AMENDMENTS & THE 2010 CITY OF WINNIPEG ACCESSIBILITY DESIGN STANDARDS.

PROVIDE SHOP DRAWINGS FOR ALL RAIL & GLAZING ASSEMBLIES.

GUARD & HAND RAIL COMPONENTS BY OR APPROVED EQUAL IN ACCORDANCE WITH B6:

NORTHWEST RAILING DISTRIBUTORS INC.
1493 ERIN STREET
WINNIPEG, MB, R3E 2S9
(204)-632-1147
INFO@NORTHWESTRAILING.CA
CONTACT- BARRY SCHMIDT

GUARD RAIL COMPONENTS TO BE POWDER ALUMINIUM COATED C/W 1 5/8" SQUARE POSTS, 4" x 4" x 3/8" BASE PLATES & WELDED TOP & BOTTOM SLEEVES, 1/4" (6mm) TEMPERED GLAZING, #14 x 3" STAINLESS STEEL FASTENERS, GUARD RAIL PROFILE - SERIES #1255

GUARD RAIL & HAND RAIL COMPONENTS TO BE COLOUR GUN METAL GREY

ORIGINAL STAMPED BY: R.K. FOK LI Arch.
DATE: 2012.08.24

No.	REVISION/DESCRIPTION	BY	DATE
SEAL			

DRAWN	MWK	CHECKED	DESIGNED	APPROVED
DATE	2012.7.24	USER		

THE CITY OF WINNIPEG
PLANNING, PROPERTY AND DEVELOPMENT DEPARTMENT
MUNICIPAL ACCOMMODATIONS DIVISION
3-65 GARRY STREET, R3C 4K4

PROJECT
FORT GARRY LIBRARY
INTERIOR & EXTERIOR REFURBISHING DESIGN
1360 PEMBINA HIGHWAY

SHEET TITLE
MAIN & MEZZANINE FLOOR PLAN
NEW GUARD & STAIR RAILING

SCALE	PROJECT No:	SHEET No:
AS SHOWN	2011-096	A6

DRAWING SHEET SIZE: A1 (841mm x 594mm) PLOT 1:1