

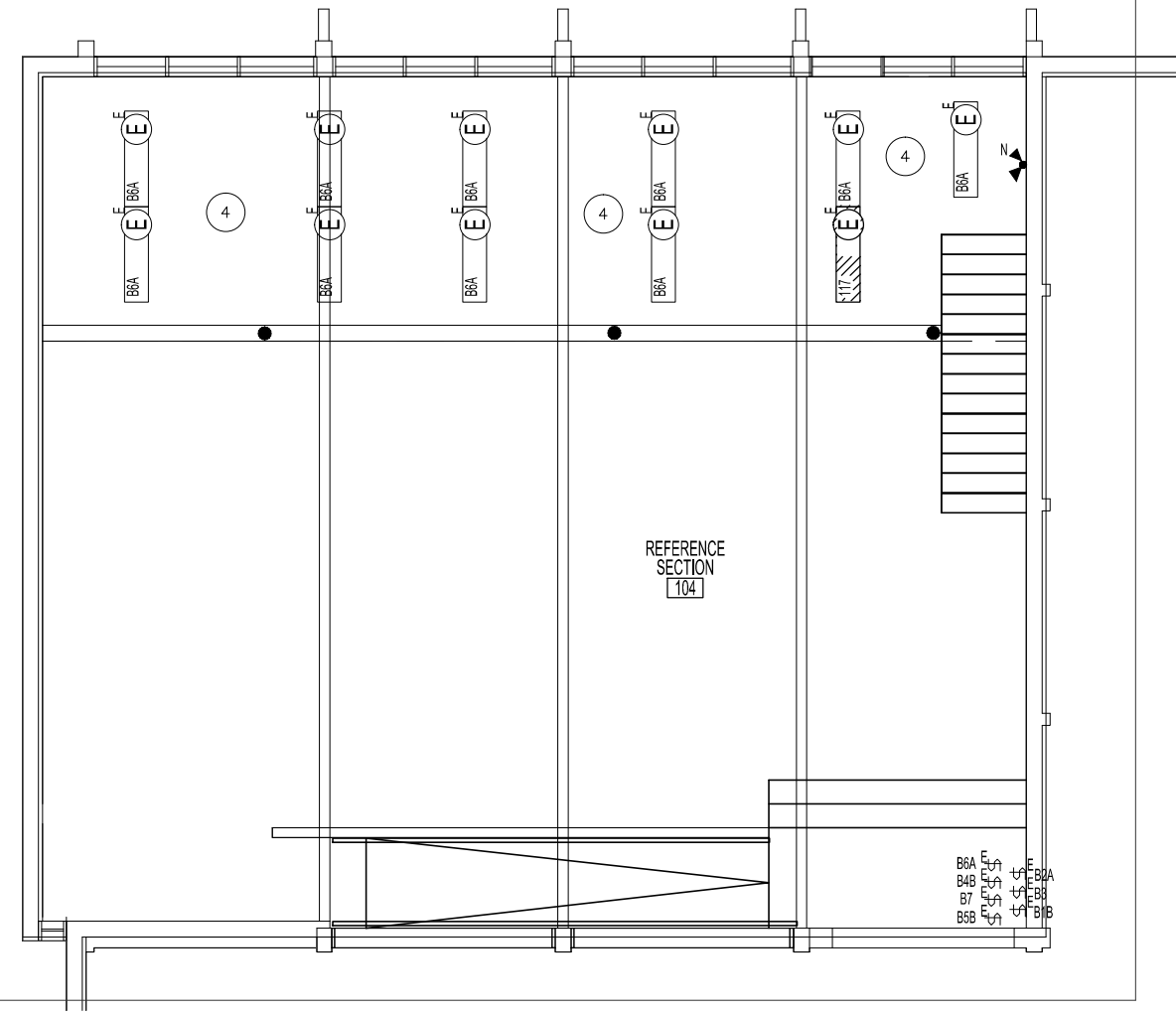
FILE NAME:

DATE: 2012.09.24

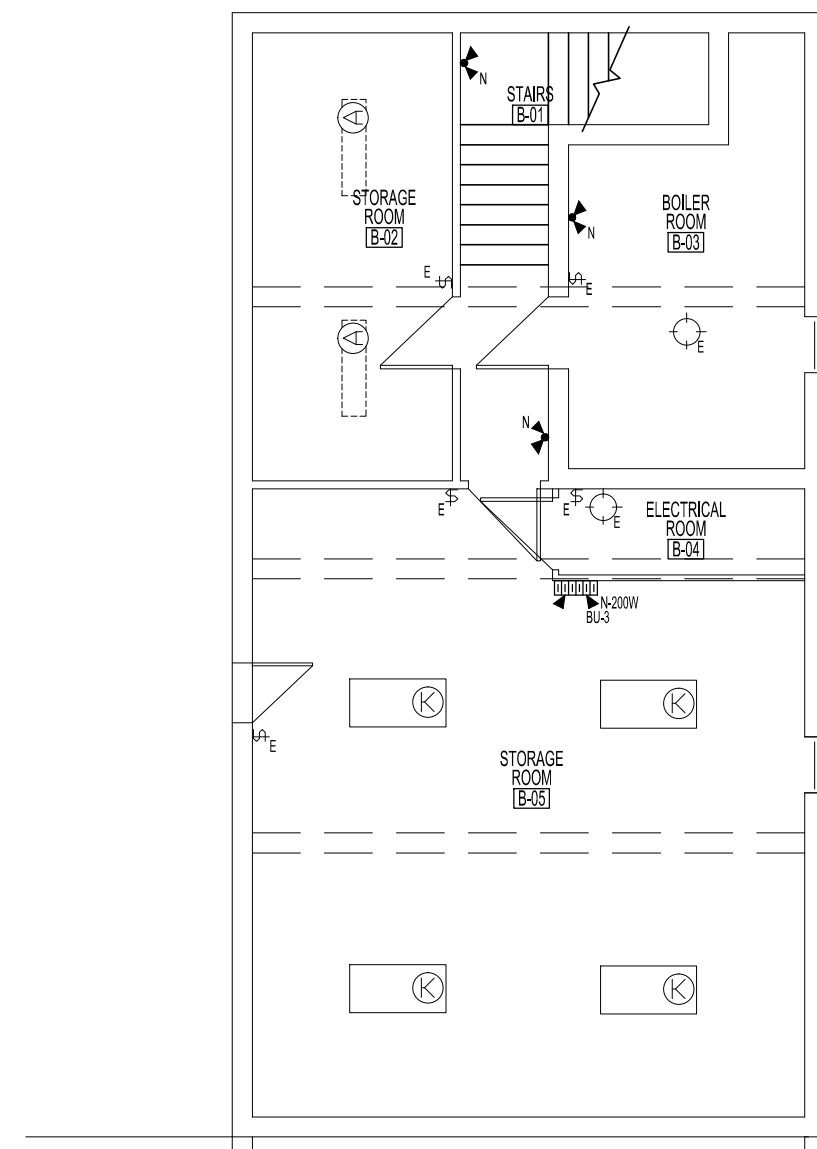
SHEET TITLE: MAIN & MEZZANINE POWER AND SYSTEMS - DEMOLITION

PROJECT No: 2011-096

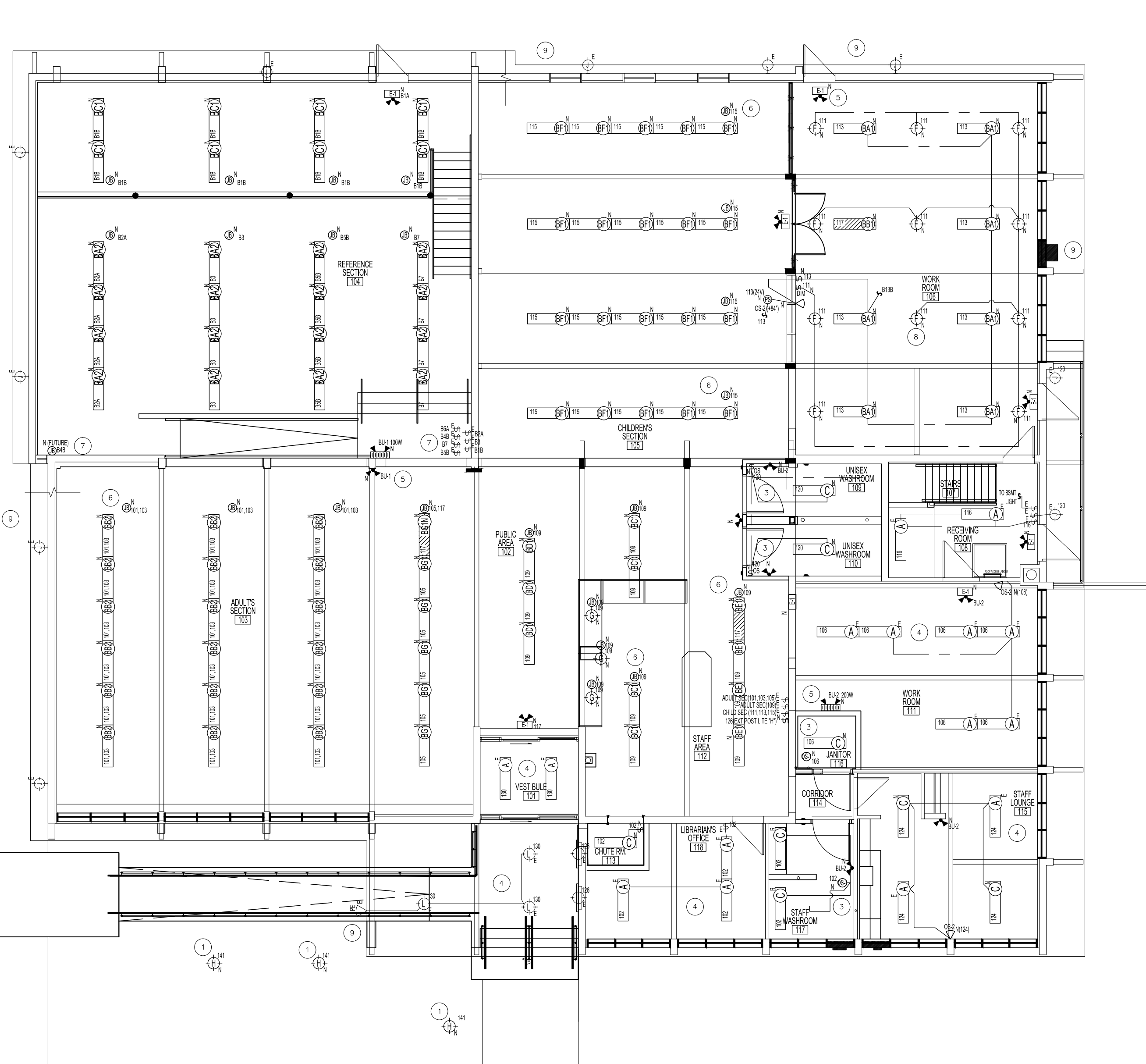
ADDRESS: 1380 PEMBINA HIGHWAY



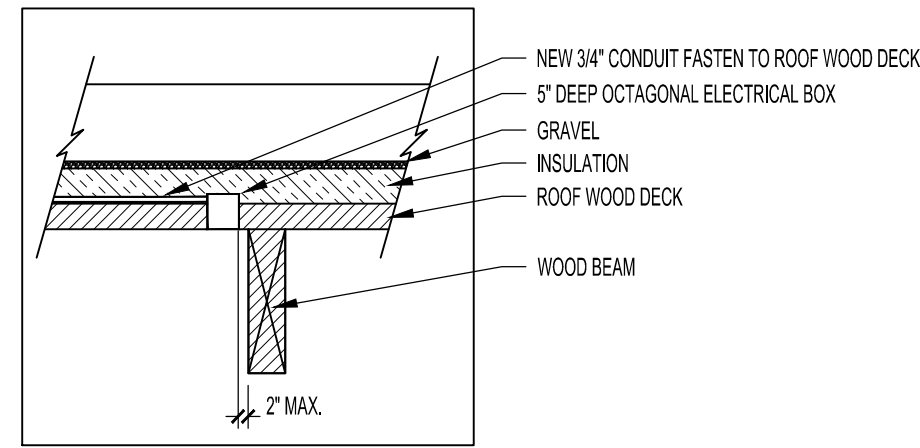
UNDERSIDE MEZZANINE FLOOR PLAN - RENOVATION - LIGHTING
SCALE: 1/8"=1'-0"



BASEMENT FLOOR PLAN - RENOVATION LIGHTING
SCALE: 1/8"=1'-0"



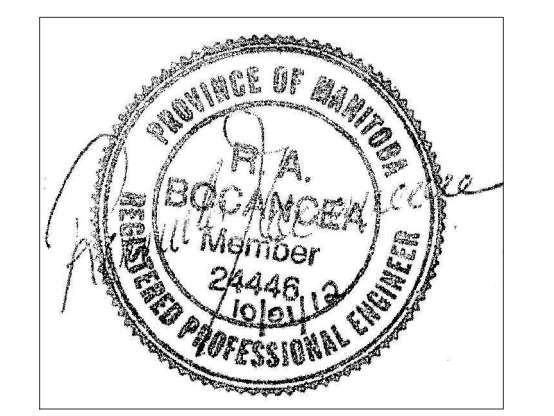
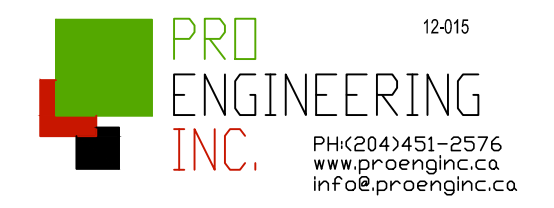
MAIN FLOOR PLAN - RENOVATION - LIGHTING
SCALE: 1/8"=1'-0"



DETAIL
TYPICAL WOOD DECK CEILING OUTLET BOX INSTALLATION
SCALE: N.T.S.

KEY NOTES:	
1	SUPPLY AND INSTALL 3 POLE MOUNTED LUMINAIRES ON 12 FOOT POLES. WIRE AND CONNECT WITH #10 AWG TECK CABLE TO A DEDICATED 15A BREAKER IN PANEL M.
2	ENSURE EMERGENCY LIGHTING ACTIVATES UPON LOSS OF AREA LIGHTING. PROVIDED RELAYS AS REQUIRED TO SENSE LOSS OF POWER.
3	PROVIDE OCCUPANCY SENSOR TO CONTROL THIS ROOM LIGHTING.
4	CLEAN EXISTING FIXTURES, CHANGE LAMPS AND BALLASTS AS REQUIRED.
5	PROVIDE NEW EXIT AND EMERGENCY LIGHTING UNITS THROUGHOUT THE BUILDING.
6	RUN CONDUIT ON TOP OF ROOF DECK AS PER DETAIL. REUSE EXISTING CONDUIT AND CABLE WHERE POSSIBLE. REUSE EXISTING JUNCTION BOX HOLES WHEREVER POSSIBLE. REVIEW LIGHTING SHOP DRAWINGS AND MOUNT JUNCTION BOX AND CONNECTION CANOPY NEAR THE AREA OF THE SUSPENSION CABLE AND END FEED.
7	PROVIDE A CEILING MOUNT JUNCTION BOX AND SINGLE CHANNEL RACEWAY (LEGRAND WIREMOLD SERIES 500) COLOUR TO MATCH U/S ROOF DECK. COORDINATE THE INSTALLATION OF THIS TO SUIT FUTURE LIVING WALL LIGHTING INSTALLATION. COORDINATE WITH ARCHITECT AND ENGINEER ON SITE. CONNECT TO SWITCH AT THIS LOCATION.
8	CONTROL TYPE F LUMINAIRES VIA DIMMER. ENSURE ALL TYPE F ARE C/W DIMMING BALLASTS
9	ALLOW FOR REMOVAL AND REPLACEMENT OF EXTERIOR LIGHTING AND CONDUIT TO COORDINATE WITH ROOF REPLACEMENT.

NOTES:



LUMINAIRE SCHEDULE						
TYPE	EXIST	NEW	MANUFACTURER	CATALOGUE No.	LAMP	DESCRIPTION
1000	(A)				2 X 32W T8	1' X 4', 4 SURFACE MOUNT, 120V, #12 ACRYLIC PRISMATIC LENS
1000	BA1	7	PEERLESS CERRA 10	10CRM4 1 54T5HO 20/80 SSB 4FT R4 120 GEB10 SCT LP835 F2/48 C210 SCEP	1X54W T5HO 3500k	4' PENDANT W/ SCULPTURED END CAP, SEMI-SPECULAR, INDIRECT /DIRECT, 120V, ELEC. BALLAST, 1-CIRCUIT, J-BOX MOUNT
1000	BB1	1	PEERLESS CERRA 10	10CRM4 1 54T5HO 20/80 SSB 4FT R4 120 GEB10 1SE EC SCT LP835 F2/48 C210 SCEP	1X54W T5HO 3500k	4' PENDANT W/ SCULPTURED END CAP, SEMI-SPECULAR, INDIRECT /DIRECT, 120V, ELEC. BALLAST, 1-CIRCUIT, J-BOX MNT, NIGHT LIGHT WIRE TO NIGHT LIGHT CIRCUIT
1000	BC1	6	PEERLESS CERRA 10	10CRM4 1 54T5HO 20/80 SSB 6FT R8 120 GEB10 SCT LP835 F2/48 C210 SCEP	(2) 1X54W T5HO 3500k	8' PENDANT W/ SCULPTURED END CAP, SEMI-SPECULAR, INDIRECT /DIRECT, 120V, ELEC. BALLAST, 1-CIRCUIT, J-BOX MOUNT
1000	BD1	1	PEERLESS CERRA 10	10CRM4 1 54T5HO 20/80 SSB 12FT R12 120 GEB10 SCT LP835 F2/48 C210 SCEP	(3) 1X54W T5HO 3500k	12' PENDANT W/ SCULPTURED END CAP, SEMI-SPECULAR, INDIRECT /DIRECT, 120V, ELEC. BALLAST, 1-CIRCUIT, J-BOX MOUNT
1000	BE1	1	PEERLESS CERRA 10	10CRM4 1 54T5HO 20/80 SSB 16FT R8 120 GEB10 1SE EC SCT LP835 F2/48 C210 SCEP	(4) 1X54W T5HO 3500k	16' PENDANT W/ SCULPTURED END CAP, SEMI-SPECULAR, INDIRECT /DIRECT, 120V, ELEC. BALLAST, 1-CIRCUIT, J-BOX MOUNT, NIGHT LIGHT WIRE TO NIGHT LIGHT CIRCUIT
1000	BF1	4	PEERLESS CERRA 10	10CRM4 1 54T5HO 20/80 SSB 20FT R8 120 GEB10 SCT LP835 F2/48 C210 SCEP	(5) 1X54W T5HO 3500k	20' PENDANT W/ SCULPTURED END CAP, SEMI-SPECULAR, INDIRECT /DIRECT, 120V, ELEC. BALLAST, 1-CIRCUIT, J-BOX MOUNT
1000	BG1	1	PEERLESS CERRA 10	10CRM4 1 54T5HO 20/80 SSB 24FT R12 120 GEB10 1SE EC SCT LP835 F2/48 C210 SCEP	(6) 1X54W T5HO 3500k	24' PENDANT W/ SCULPTURED END CAP, SEMI-SPECULAR, INDIRECT /DIRECT, 120V, ELEC. BALLAST, 1-CIRCUIT, J-BOX MOUNT, NIGHT LIGHT WIRE TO NIGHT LIGHT CIRCUIT
1000	BH1	4	PEERLESS CERRA 10	10CRM4 2 54T5HO 20/80 SSB 16FT R8 120 GEB10 SCT LP835 F2/48 C210 SCEP	(4) 2X54W T5HO 3500k	16' PENDANT W/ SCULPTURED END CAP, SEMI-SPECULAR, INDIRECT /DIRECT, 120V, ELEC. BALLAST, 1-CIRCUIT, J-BOX MOUNT
1000	BI1	3	PEERLESS CERRA 10	10CRM4 2 54T5HO 20/80 SSB 24FT R12 120 GEB10 DCT LP835 F2/48 C210 SCEP	(6) 2X54W T5HO 3500k	24' PENDANT W/ SCULPTURED END CAP, SEMI-SPECULAR, INDIRECT /DIRECT, 120V, ELEC. BALLAST, 2-CIRCUIT, J-BOX MOUNT
1000	C				2 X 32W T8, 3500K, RELAMP	1' X 4', SURFACE MOUNT, 120V, #12 ACRYLIC PRISMATIC LENS
1000	E				2 X 32W T8, 3500K, RELAMP	1' X 4', RECESS, 120V, #12 ACRYLIC PRISMATIC LENS
1000	E	1				NIGHT LIGHT (TO BE REWIRE AS NIGHT LIGHT)
1000	G	11	GOETHAL CA PAR38	CA6 6MB DWHG	20.3W LED, 3000K	6" OD X 9.58" HT. INCANDESCENT CYLINDER, CEILING MOUNT, BLACK BAFFLE, MATTE WHITE
1000	G	3	EUREKA SPIN 4236	4236 F.TS.C.22 120V AC 60 WH FRO. C/W STD.60"	22W T5 CFL=1800 LMS	SUSPENDED CIRCLINE COMPACT FLUORESCENT LAMP W/ 19.7" OD. FROSTED DIFFUSER FINISH, 120V
1000	G	3	PHILIPS LUMEC	PCDS480-60CW-2H-120-BE2TXIDSR3J-12-BKTX	60 CW CERAMIC MH (COSMOPOLIS)	EXTERIOR LUMINAIRE WITH 12 FOOT STEEL POLE, 120V, ASYMMETRICAL LIGHT DISTR. FORWARD AND BOTH SIDES. COLOUR: TEXTURED BLACK
1000	EXIST				70W HPS	OUTDOOR WALL MOUNTED NON-CUTOFF W/PHOTOCELL, 120V
1000	K	65 TO BE DEMO			3 X 32W T8, 70W HPS	2' X 4', SURFACE, 120V, A12 PRISMATIC ACRYLIC OUTDOOR CEILING MOUNTED PRISMATIC, 120V
1000	REPLACE	8	AIMLITE	RPST U M WHT UNIDC		STEEL PICTOGRAM EXIT SIGN WITH THREE PICTOGRAM LEGENDS FOR DIRECTION SELECTION. UNIVERSAL FACES, MOUNTING & DC BACKUP VOLTAGE FROM 6 T O 24 VDC, WHITE EXISTING TO BE REPLACED WITH NEW AS SHOWN.
1000	REPLACE	3	AIMLITE	EBST 12		COMPACT DOUBLE HEAD REMOTE, 12 VDC, 20 W MR16, WHITE
1000	REPLACE	8	AIMLITE	RUMB 2 12 20Q MR16 WHT		COMPACT DOUBLE HEAD REMOTE, 12 VDC, 20 W MR16, WHITE
1000	REPLACE	7	AIMLITE	CSPR 1M2M2QWHT		COMBINATION EXIT LIGHT, 12 VDC, 20W HEADS MR16, WHITE

ALL NEW LIGHTING FIXTURES AND BALLASTS TO BE POWERSMART APPROVED & SUPPLIED BY R.D. SALES (WINNIEG). LIGHTING FIXTURE QUANTITIES SHOWN ABOVE ARE FOR REFERENCE ONLY. CONTRACTOR IS RESPONSIBLE FOR QUANTITY TAKE-OFF FROM DRAWING.

LUMINAIRE MOUNTING HEIGHTS
TYPE "B" SHALL BE SUSPENDED FLUSH TO BOTTOM OF THE BEAMS.
TYPE "A", "C", "E", "F", ARE SURFACE MOUNTED.
TYPE "G" SHALL BE SUSPENDED 10 FT AFF.
TYPE "BB2" SHALL BE SUSPENDED 9 FT AFF.

1	ISSUED FOR TENDER	KO	10/01/12
---	-------------------	----	----------

No.	REVISION/DESCRIPTION	BY	DATE

DRAWN	DTAKO	CHECKED	KO	DESIGNED	DTAKO	APPROVED	RB
DATE	2012.07.24	USER APPROVAL					

THE CITY OF WINNIPEG
PLANNING, PROPERTY AND DEVELOPMENT DEPARTMENT
MUNICIPAL ACCOMMODATIONS DIVISION
3-65 GARRY STREET, R3C 4K4

PROJECT
FORT GARRY LIBRARY
INTERIOR & EXTERIOR REFURBISHING DESIGN
1380 PEMBINA HIGHWAY

SHEET TITLE
MAIN, MEZZANINE & BSMT
LIGHTING RENOVATION PLAN
ELECTRICAL

SCALE	PROJECT No:	SHEET No:	E4
AS SHOWN	2011-096		

DRAWING SHEET SIZE: A1 (841mm x 594mm) PLOT 1:1