

**RENOVATION NOTES:**

- 1 PATCH CONCRETE FLOOR @ COLUMN REMOVAL LOCATIONS (2) & RESTORE FINISH. REPAIR & APPLY NEW GYP. BD. TO END OF PARTIAL HEIGHT WALL WHERE COLUMN WAS REMOVED. PATCH & PREPARE FOR PAINT.
- 2 NEW STAIR & GUARD RAILINGS. SEE DRAWING A6 FOR PLANS, ELEVATIONS, SECTIONS & DETAILS.
- 3 NEW DRYWALL BULKHEAD WHERE MEZZANINE WAS REMOVED. PATCH & FRAME WALL AS REQUIRED. INSULATE & PATCH NORTHWEST & NORTH WALLS FLUSH W/ EXISTING. SEE SECTION.
- 4 PATCH WALL OPENING AROUND NEW MECH. ABOVE (APPROX. 2'-0" x 2'-3") WHERE MECH. IS REPLACED. SEE BUILDING ELEVATIONS FOR SECTION.
- 5 SUPPLY & INSTALL NEW GLAZING UNITS IN EXISTING OPENINGS. SUPPLY & INSTALL NEW PAINT GRADE FIR INTERIOR WINDOW TRIMS FOR ALL NEW WINDOW OPENINGS. SEE BUILDING ELEVATIONS & WINDOW TYPES & DETAILS.
- 6 INSTALL WALL TYPE 'B' IN OPENING, PROVIDING PROPER FRAMING FOR NEW TRANSFER GRILLES AT FLOOR & CEILING. PATCH & PREPARE FOR PAINT. SEE LARGE PLAN FOR WASHROOMS FOR ELEVATION DETAILS & MECHANICAL DWGS. FOR GRILLE TYPES.
- 7 FRAME STUD POST & DRYWALL (APPROX. 4' x 4') TO US OF CEILING FOR END WALL SUPPORT. PATCH & PREPARE FOR PAINT.
- 8 REUSE EXISTING TOILET DRAIN/LINE LOCATIONS. SINK LOCATION IN UNISEX WASHROOM 109. RELOCATE SINK IN WASHROOM 110 AS SHOWN. SEE LARGE PLAN FOR DETAILS. EXISTING FLOOR TO BE REMOVED. FILL ALL EXISTING ABANDONED FLOOR HOLES WITH GROUT. SEE FLOOR FINISH PLAN FOR PREPARATION OF NEW FLOOR. FILL ALL EXISTING WALL JOINTS & HOLES OF MASONRY BLOCK FLUSH W/ WALL & PREPARE FOR NEW WALL TILE.
- 9 SUPPLY & INSTALL NEW GLAZING UNIT IN EXISTING BASEMENT OPENING. SUPPLY & INSTALL NEW GALVANIZED MESH SECURITY SCREEN ON EXTERIOR TO MATCH EXISTING ON SITE. ANCHOR SECURELY TO FRAME WITH CONCEALED TAMPER PROOF SCREWS. SEE BUILDING ELEVATIONS & WINDOW TYPES & DETAILS.
- 10 SUPPLY & INSTALL NEW INTERIOR & EXTERIOR MOTION SLIDING DOORS, SIDELIGHTS & TRANSOMS IN EXISTING OPENINGS. SEE BUILDING ELEVATIONS & DOOR TYPES.
- 11 SCRAPE SAND & REMOVE EXISTING ANY PEELING VARNISH FROM OAK WOOD RADIATOR COVER TOP, FACE & LEGS (APPROX. 40'-0"). TREAT WATER DAMAGED WOOD TO PREVENT STAIN LEAKAGE THROUGH NEW PAINT. PAINT ENTIRE EXPOSED EXTERIOR SURFACE AS SPECIFIED. RE-INSTALL RADIATOR GRILLE VENTS @ TOP.
- 12 SUPPLY & INSTALL NEW WINDOW TREATMENTS IN ADULTS SECTION 103 ONLY. SEE DRAWING A7 FOR TYPE, SIZE & SUPPLIER.
- 13 SEE STRUCTURAL DRAWINGS FOR NEW RAMP, MAIN LANDING & STAIRS, BTM LANDING & APPROACHES, COLUMNS, SEATING SLAB, GUARD & HAND RAILS, RECESSED DETECTABLE WARNING SURFACES.
- 14 REMOVE EXISTING BTM. TRIMS (ABOVE AT MEZZ. LEVEL IN WINDOW OPENINGS) FLUSH WITH EXISTING FRAME. SUPPLY & INSTALL 1/2" x +1'-10" WIDE PAINT GRADE MDF FRAMING TO INTERIOR OF WINDOW FRAMES. SUPPLY & INSTALL NEW FLAT 1/2" x 3/4" TO 1" WIDE MDF TRIMS TO BOTH SIDES OF WINDOWS TO COVER EXPOSED NOTCHES. PREPARE FOR NEW PAINT & ACCENT PANEL INSTALLATION AS SHOWN ON DWG. A9.
- 15 REMOVE EXISTING INTERIOR & EXTERIOR CAULKING ON WINDOW & INSTALL NEW CAULKING AS REQUIRED TO MATCH EXTERIOR & INTERIOR PAINT FINISHES.

**WALL TYPES**

NOTE: SEE BUILDING ELEVATIONS DRAWING FOR OTHER MISC. WALL SECTIONS

**NEW WALL CONSTRUCTION**

**NEW 1 HR. FIRE RATED WALL CONSTRUCTION**

**TYPE (A)** NEW 1/2" GYPSUM BOARD B/S  
NEW 3 5/8" STEEL STUDS @ 16" O.C. (JOGGED AS REQUIRED FOR INTERIOR PUBLIC WASHROOMS UP TO 9" THICKNESS INCLUDING FINISH TILE ON B/S)  
SOUND ATTENUATION BATT  
PARTITIONS TO RUN TO NEW CEILING HEIGHT & EXISTING CEILING HEIGHT OF +/- 9'-8"  
NOTE: PROVIDE WOOD BLOCKING FOR BATHROOM LAVATORY & ACCESSORIES AS PER MANUFACTURER'S INSTALLATION INSTRUCTIONS  
NOTE: CLOSED CEILING CONSTRUCTION IN WASHROOMS 109 & 110 TO ALSO BE TYPE 'A' - SEE STRUCTURAL DWG S5 FOR SECTION FOR CLOSED CEILING.

**TYPE (A1)** NEW 2 LAYERS 1/2" GYPSUM BOARD B/S  
NEW 3 5/8" STEEL STUDS @ 16" O.C.  
SOUND ATTENUATION BATT  
PARTITIONS TO RUN TO NEW CEILING HEIGHT & EXISTING CEILING HEIGHT OF +/- 9'-8"

**TYPE (A2)** WASHRM. 109 ONLY - 1/2" GYPSUM BD. ON STEEL FURRING CHANNELS ON STEEL COLUMN

**TYPE (B)** NEW 1/2" GYPSUM BOARD B/S  
NEW 3 5/8" STEEL STUDS @ 16" O.C.  
PARTITIONS TO HEIGHTS SPECIFIED ON RENOVATION DWG  
NOTE: PROVIDE WOOD BLOCKING FOR BATHROOM LAVATORY & ACCESSORIES AS PER MANUFACTURER'S INSTALLATION INSTRUCTIONS

**TYPE (C)** NEW 1/2" GYPSUM BOARD B/S  
NEW 6" STEEL STUDS @ 16" O.C.  
PARTITIONS TO HEIGHTS SPECIFIED ON RENOVATION DWG  
NOTE: PROVIDE WOOD BLOCKING FOR BATHROOM LAVATORY & ACCESSORIES AS PER MANUFACTURER'S INSTALLATION INSTRUCTIONS

**TYPE (D)** 5/8 TYPE 'X' GYPSUM BD. B/S FOR A 1 HR. FIRE RATING  
NEW 3 5/8" STEEL STUDS @ 16" O.C.  
PARTITIONS TO RUN TO US OF EXISTING WOOD DECK CEILING  
FIRESTOP PERIMETER OF ALL WALLS @ FLOOR, CEILING & CORNERS

**TYPE (D1)** 2 (TWO) LAYERS 5/8 TYPE 'X' GYPSUM BD. INSIDE FOR A 1 HR. FIRE RATING  
EXISTING FACE BRICK WALL  
LAYERS TO RUN TO US OF EXISTING WOOD DECK CEILING  
FIRESTOP PERIMETER OF ALL WALLS @ FLOOR, CEILING & CORNERS

**TYPE (D2)** 5/8 TYPE 'X' GYPSUM BD. B/S  
EXISTING WALL PARTITION  
PARTITIONS TO RUN TO US OF EXISTING WOOD DECK CEILING  
FIRESTOP PERIMETER OF ALL WALLS @ FLOOR, CEILING & CORNERS

**TYPE (E)** EXISTING INTERIOR WALL  
NEW 1/2" GYPSUM BOARD  
NEW 2 x 3 WOOD STUDS @ 16" O.C.  
WALL TO BE FRAMED FLUSH WITH EXISTING WALL MOUNTED RECEPTACLES  
NOTE: PROVIDE WOOD BLOCKING SUPPORTS AS REQ'D.

**TYPE (F)** EXISTING INTERIOR WALL  
NEW 1/2" GYPSUM BOARD ALL SIDES  
NEW 2 x 3 WOOD STUDS OR FRAMING AS REQ'D.  
WALL TO BE FRAMED AROUND NEW HVAC CONDUITS FROM FLOOR TO ROOF. SIZE MAY VARY IN WIDTH & DEPTH

NOTES:

ORIGINAL STAMPED BY: R.K. FOK LI Arch.  
DATE: 2012.10.02

- 1 - DELETE TRANSFER GRILLE, WALL FINISH & RENOVATION NOTE 'B' ON RENOVATION PLAN.
- 1 - DELETE DOOR GRILLE IN JANITOR ROOM 116.
- 1 - REVISE DOOR SCHEDULE, HARDWARE GROUPS & HARDWARE AS NOTED. DELETE HARDWARE GROUP 6.

No.	REVISION/DESCRIPTION	BY	DATE

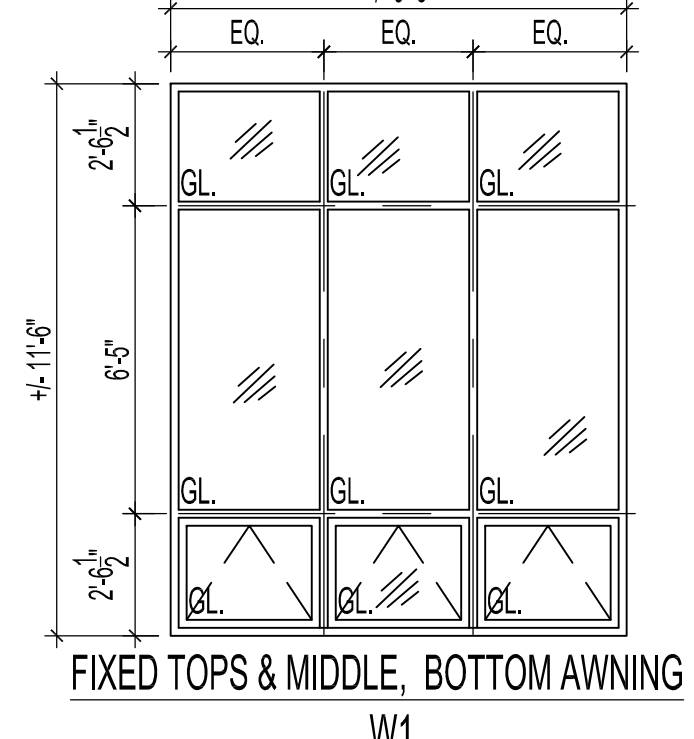
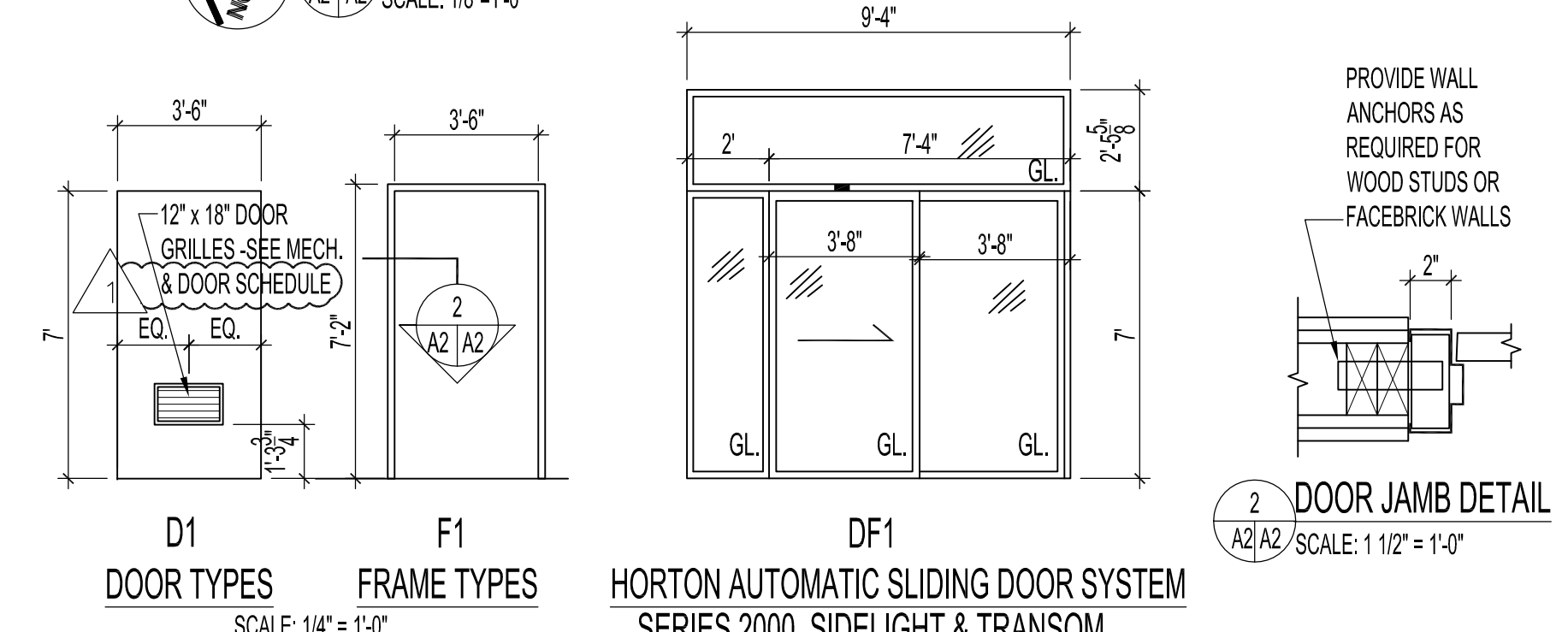
DRAWN	CHECKED	DESIGNED	APPROVED

THE CITY OF WINNIPEG  
PLANNING, PROPERTY AND  
DEVELOPMENT DEPARTMENT  
MUNICIPAL ACCOMMODATIONS DIVISION  
3-65 GARRY STREET, R3C 4K4

PROJECT  
FORT GARRY LIBRARY  
INTERIOR & EXTERIOR REFURBISHING  
DESIGN  
1360 PEMBINA HIGHWAY

SHEET TITLE  
MAIN & MEZZANINE FLOOR PLAN  
RENOVATION

SCALE AS SHOWN PROJECT No: 2011-096 SHEET No: A2R1  
DRAWING SHEET SIZE: A1 (841mm x 594mm) PLOT 1:1



**WINDOWS W1 TO W4**  
ALL WINDOW UNITS ARE FROM ALL WEATHER WINDOWS, EXTRUDED ALUMINIUM CLAD PVC, BLACK, SERIES 9950, TRIPLE GLAZED, ARGON FILLED, SUN SPOT COATING. (PRE-FINISHED METAL PANELS TO MATCH NEW PARAPET GREY COLOUR)  
PROVIDE NEW INTERIOR WINDOW TRIMS FOR ALL NEW WINDOW UNITS - SEE RENOVATION NOTE 5.

DOOR SCHEDULE											
DOOR NO.	DOOR TYPE	WIDTH	HEIGHT	THICK.	MATL.	FRAME			RATING	HARDWARE GROUP	NOTES
						FINISH	TYPE	MATL.			
D101A	DF1	(2) 3'-8"	7'-0"	1 3/4"	AL.	A.F.	DF1	AL.	A.F.	1	CW FIXED DOOR, SIDELIGHT & TRANSOM
D101B	DF1	(2) 3'-8"	7'-0"	1 3/4"	AL.	A.F.	DF1	AL.	A.F.	1	CW FIXED DOOR, SIDELIGHT & TRANSOM
D106		(2) 3'-3"	9'-8"	1 3/4"		PF.			PF.	2	DOOR & FRAME BY OTHERS - SEE PLAN
D108	EXISTING									3	
D109	D1	3'-6"	7'-0"	1 3/4"	H.M.	PT.	F1	P.S.	PT.	4	DOOR GRILLE - SEE MECHANICAL
D110	D1	3'-6"	7'-0"	1 3/4"	H.M.	PT.	F1	P.S.	PT.	4	DOOR GRILLE - SEE MECHANICAL
D116	D1	3'-6"	7'-0"	1 3/4"	H.M.	PT.	F1	P.S.	PT.	3/4 HR.	DOOR GRILLE - SEE MECHANICAL
D117	D1	3'-6"	7'-0"	1 3/4"	H.M.	PT.	F1	P.S.	PT.	4	DOOR GRILLE - SEE MECHANICAL

**HARDWARE GROUPS**

**GROUP #1**  
HORTON AUTOMATIC SERIES 2000 LINEAR DRIVE OPERATOR AUTOMATIC SLIDING DOOR 313-R1 DARK BRONZE ALUMINIUM FRAME ARCH. CLASS II ANODIZED COATING SINGLE SLIDE DOOR (84" x 88" FRAME SIZE 44" NET SLIDE OPENING) INDUSTRY STANDARD BALL DETENT EMERGENCY BREAKAWAY STANDARD 2 1/4" HORIZONTAL MUNTINS ALL PANELS. STANDARD 4" BOTTOM RAILS STANDARD MS LOCKING W/ THUMB TURN ON THE INTERIOR SIDE CYLINDER KEY ON EXTERIOR SIDE ACCOMMODATES BEST KEYWAY WIZARD MOTION/PRESENCE DETECTOR ACTUATING SAFETY SYSTEM AUTO LOCK FAIL SAFE KEY SWITCH OFF (ONE WAY/TWO WAY/HOLD OPEN (INSTALLED ON INTERIOR SIDE) KEY SWITCH (EXTERIOR SIDE FOR ENTRY IN ONE WAY MODE ACCOMMODATES BEST KEYWAY) CLOSE MONITOR SWITCH FLUSH PANIC EXIT DEVICE BREAKAWAY SWITCH DUAL THRESHOLD PHOTO SAFETY BEAMS DOUBLE GLAZING

**LEVER HANDLES BY WALL SYSTEMS DOOR SUPPLIER**

**GROUP #2**  
- PASSAGE SET LEVER HANDLES 626 FINISH  
- DOOR STOPS RICHELIEU 471  
- 175 SATIN CHROME ONE FOR EACH DOOR

**GROUP #3**  
- UNICAN FLUSH BUTTON LOCK LP 4000 SERIES  
- UNICAN MECH. PUSH BUTTON LOCK LEVER/L HANDLE L1000 SERIES

**GROUP #4**  
- 2 PR. MCKINNEY TA 714 STEEL HINGES 4 1/2" x 4"  
- SCHLAGE ND-RH-PRIMACY "PUSH TO LOCK" PUSH BUTTON, CM-30 OWL  
- CORRIDOR LOCK ND73PD 626  
- LOW ENERGY POWER DOOR OPERATOR, NORTON ASSA-ABLOY MODEL 6910, HES 5000 SERIES ELECTRIC STRIKE FIELD SET TO FAIL-SAFE, 630 SATIN STAINLESS STEEL FINISH, CAMDEN 36" PUSH PLATE SWITCH WITH "PUSH TO OPEN" & WHEELCHAIR SYMBOL, CLEAR ANODIZED FINISH, CAMDEN MODEL CM-7336/4; CAMDEN CX-W/1

**GROUP #4 (CONTIN.)**  
KIT INCLUDES CX-22 DUAL FUNCTION RELAY, CM-40/08 "PUSH TO LOCK" PUSH ILLUMINATION SIGN & CX-MDC SURFACE MOUNT DOOR CONTACTS  
- KICKPLATES STANDARD METAL MFG. B/S K12A 12" x 40" 32D  
- FLOOR STOP RICHELIEU 471-175 626 FINISH (CONCRETE FLOORS)

**GROUP #5**  
- 2 PR. MCKINNEY TA 714 STEEL HINGES 4 1/2" x 4"  
- SCHLAGE STOBAGE LOCK LOCK 344W - 626  
- LCN CLOSER 1467 SERIES  
- SMOKE SEAL K.N. CROWDER INC. W21 BLACK  
- DOOR SWEEP K.N. CROWDER INC. W135 42"  
- KICKPLATES STANDARD METAL MFG. B/S K12A 12" x 40" 32D  
- FLOOR STOP RICHELIEU 471-175 626 FINISH (CONCRETE FLOORS)

**GROUP #6**  
- 2 PR. MCKINNEY TA 714 STEEL HINGES 4 1/2" x 4"  
- SCHLAGE ND-RH-PRIMACY LOCK 344W - 626  
- POWER DOOR OPERATOR LOW ENERGY NORTON ASSA-ABLOY MODEL 6910. SEE ELEC. DWG. FOR AUTOMATIC DOOR ACTUATOR SWITCH & NOTES.  
- KICKPLATES STANDARD METAL MFG. B/S K12A 12" x 40" 32D  
- FLOOR STOP RICHELIEU 471-175 626 FINISH (CONCRETE FLOORS)