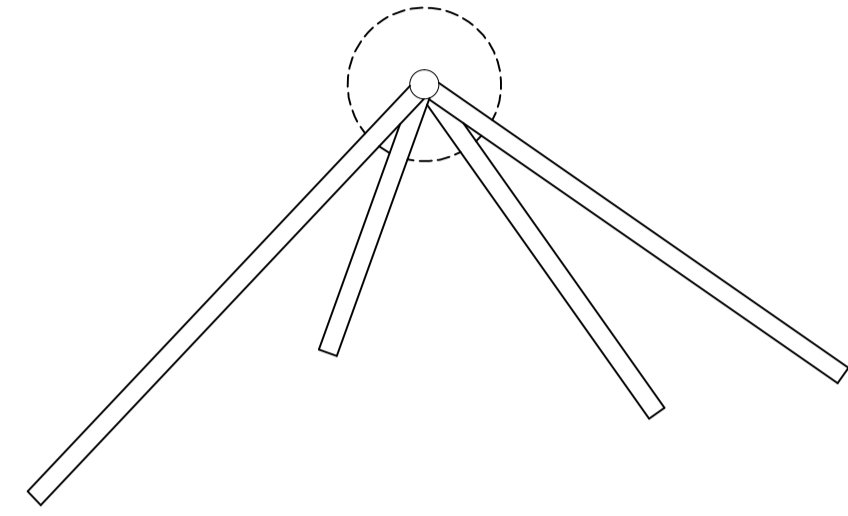
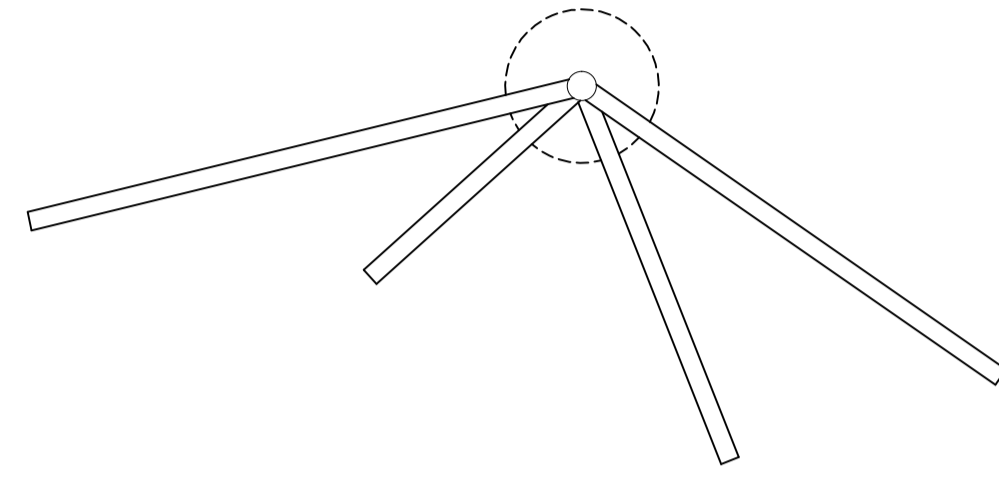


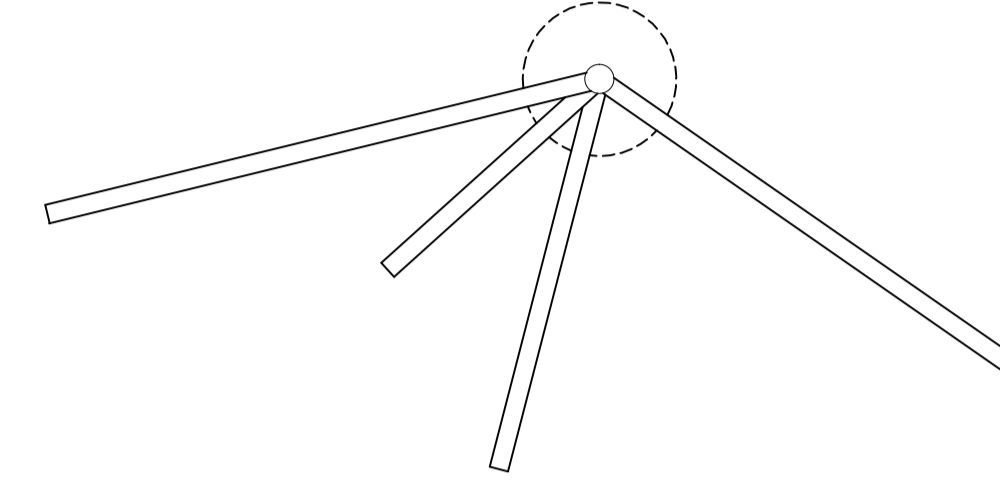
1 **ST-02A PLAN VIEW**  
Scale: 1:20 @ A1



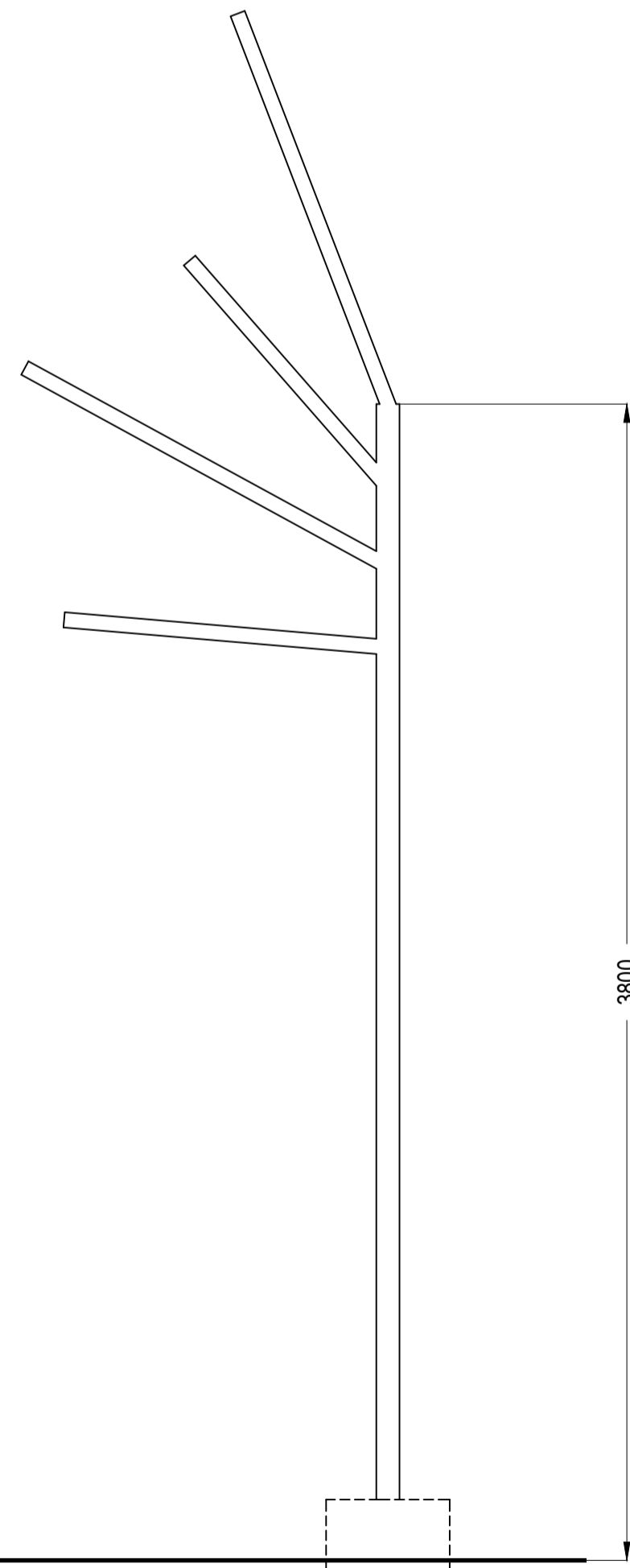
3 **ST-02B PLAN VIEW**  
Scale: 1:20 @ A1



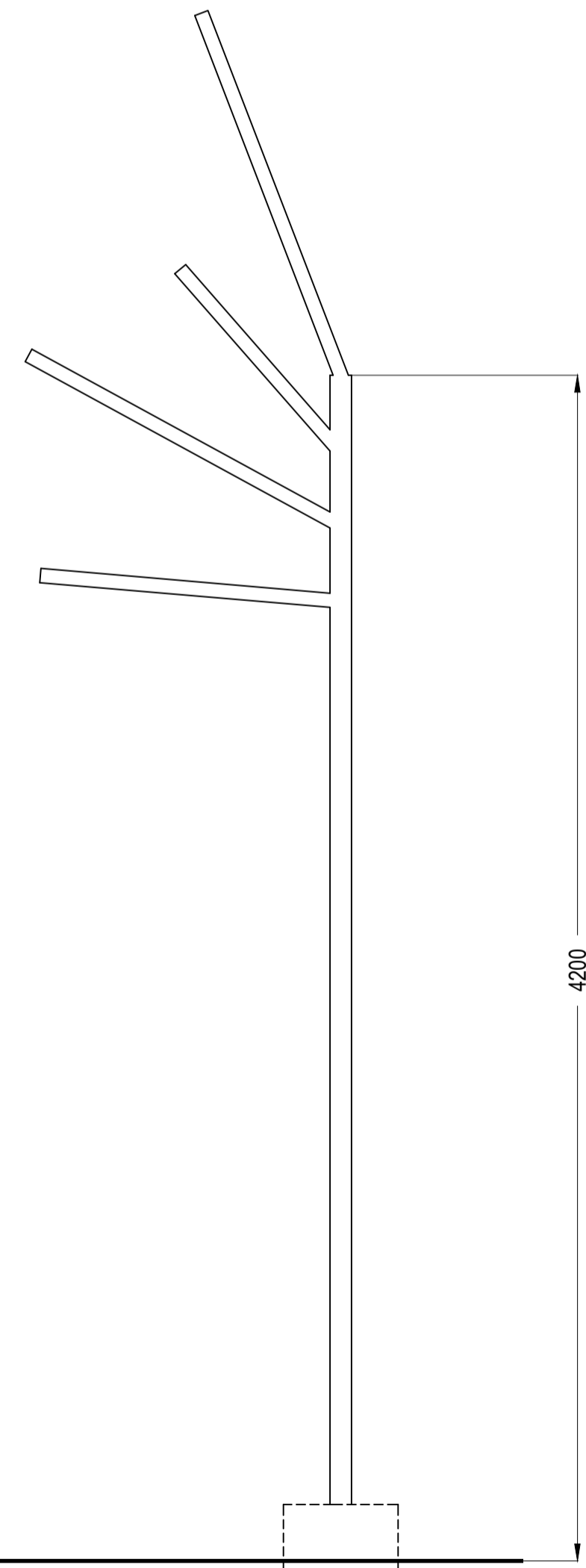
5 **ST-02C PLAN VIEW**  
Scale: 1:20 @ A1



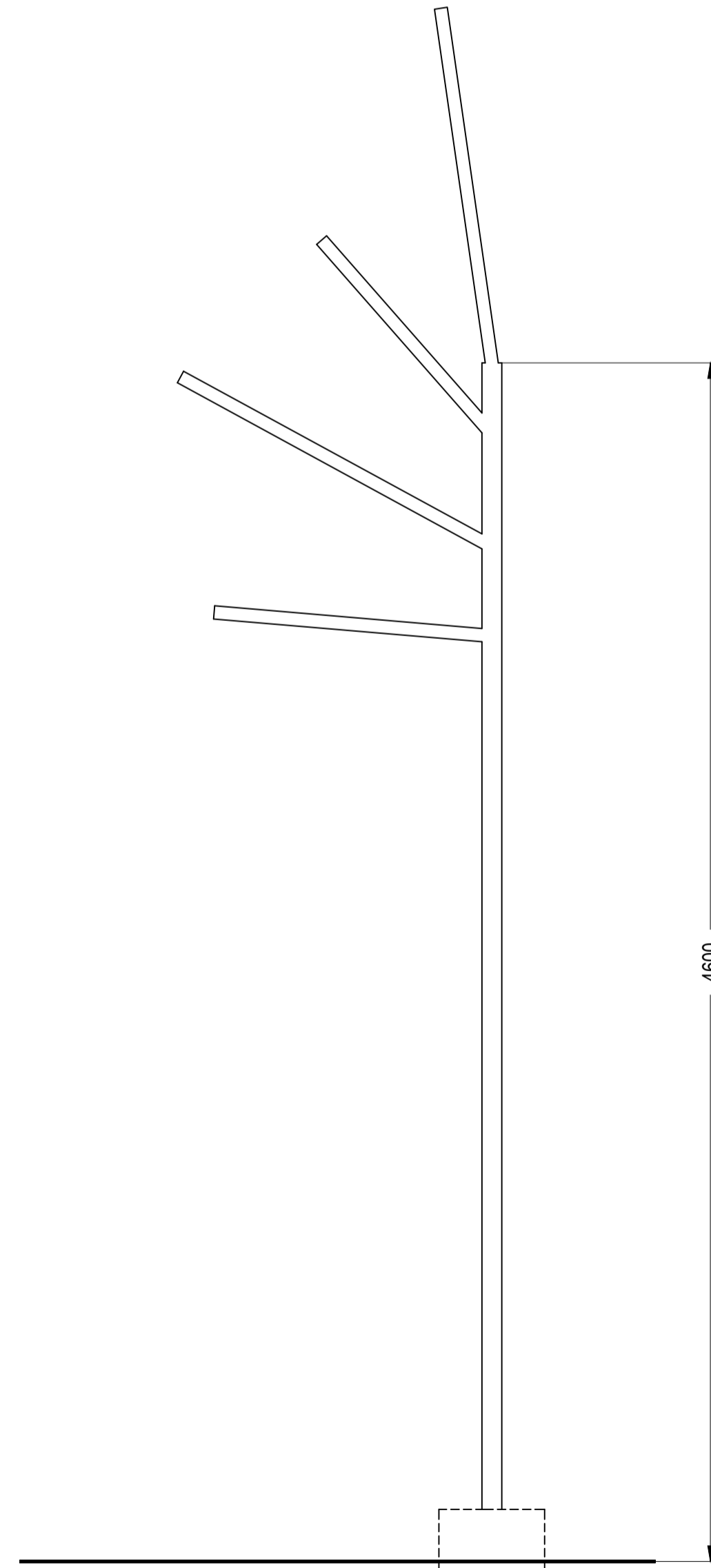
7 **ST-02D PLAN VIEW**  
Scale: 1:20 @ A1



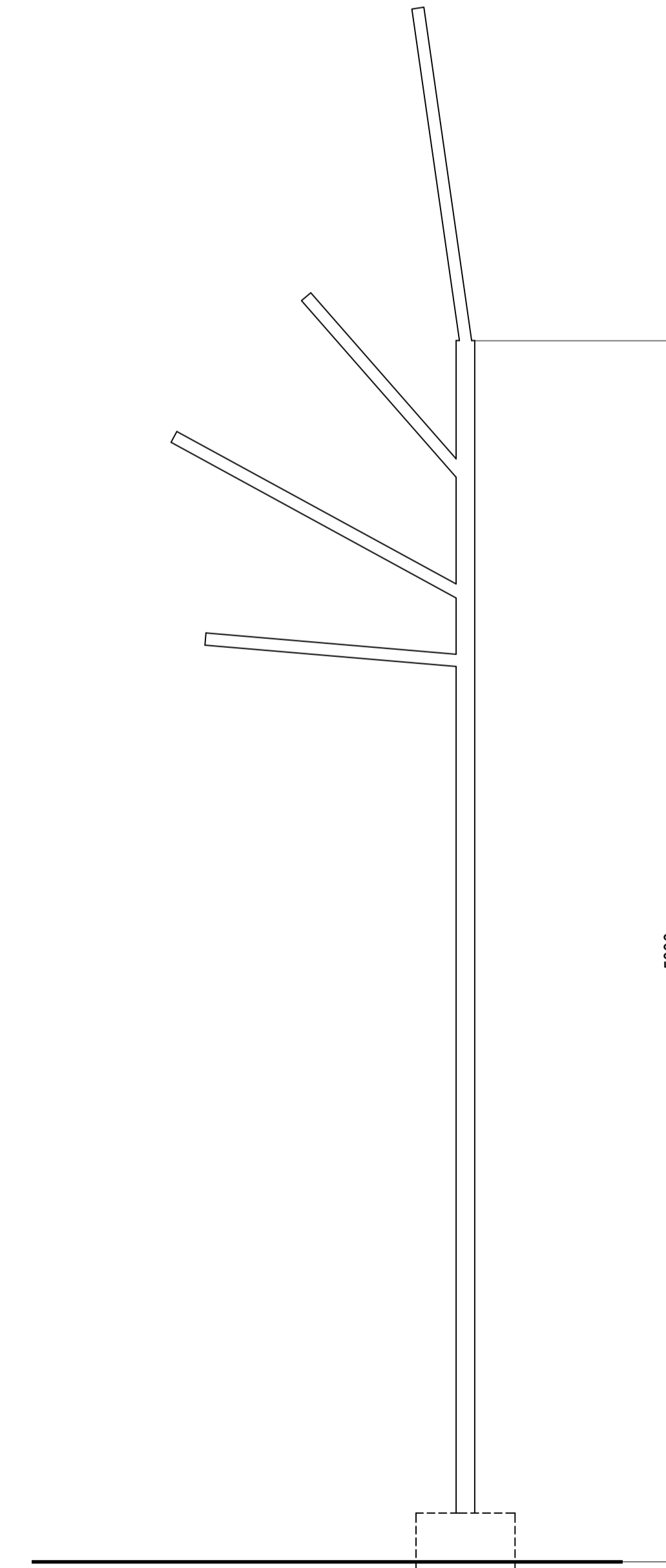
2 **ST-02A SIDE VIEW**  
Scale: 1:20 @ A1



4 **ST-02B SIDE VIEW**  
Scale: 1:20 @ A1



6 **ST-02C SIDE VIEW**  
Scale: 1:20 @ A1



8 **ST-02D SIDE VIEW**  
Scale: 1:20 @ A1

**MOMENT  
FACTORY**  
6250 HUTCHESON, SUITE 200  
MONTREAL, QC H3M 1S7  
TEL: 514 882 8833 F: 514 882 8891  
WWW.MOMENTFACTORY.COM

REVISIONS HISTORY	
NO	DESCRIPTION

PROJECT  
**WINNIPEG**  
LUMINOUS IDENTITY

TITLE  
LUMINOUS IDENTITY  
ASSEMBLY  
PRISM SUPPORT STRUCTURE  
A (20) 01  
MULTIPLE VIEWS

CONCEPT BY  
Moment Factory  
DRAWN BY  
Ajmir Kandola  
SCALE  
1:20 @ A1  
DATE  
26.07.2012  
APPROVED BY  
Gabriel Pontbriand  
FILE NAME  
WINNIEP\_GENERAL\_ARRANGEMENT\_10726MC.dwg  
SHEET REVISION  
0

This drawing is confidential and must not be reproduced or used without the consent of Moment Factory

SHEET NUMBER  
**A (20) 01**