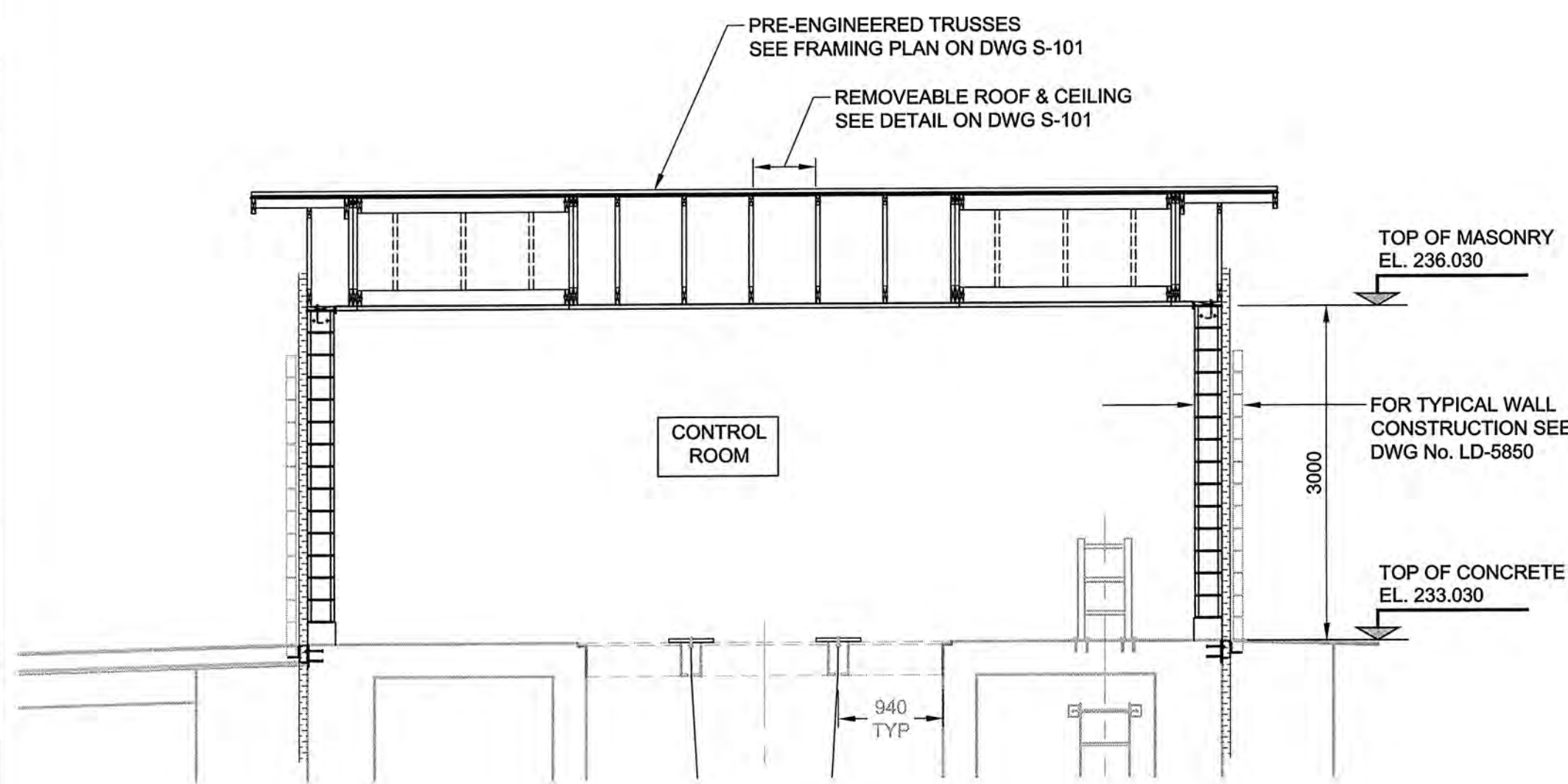


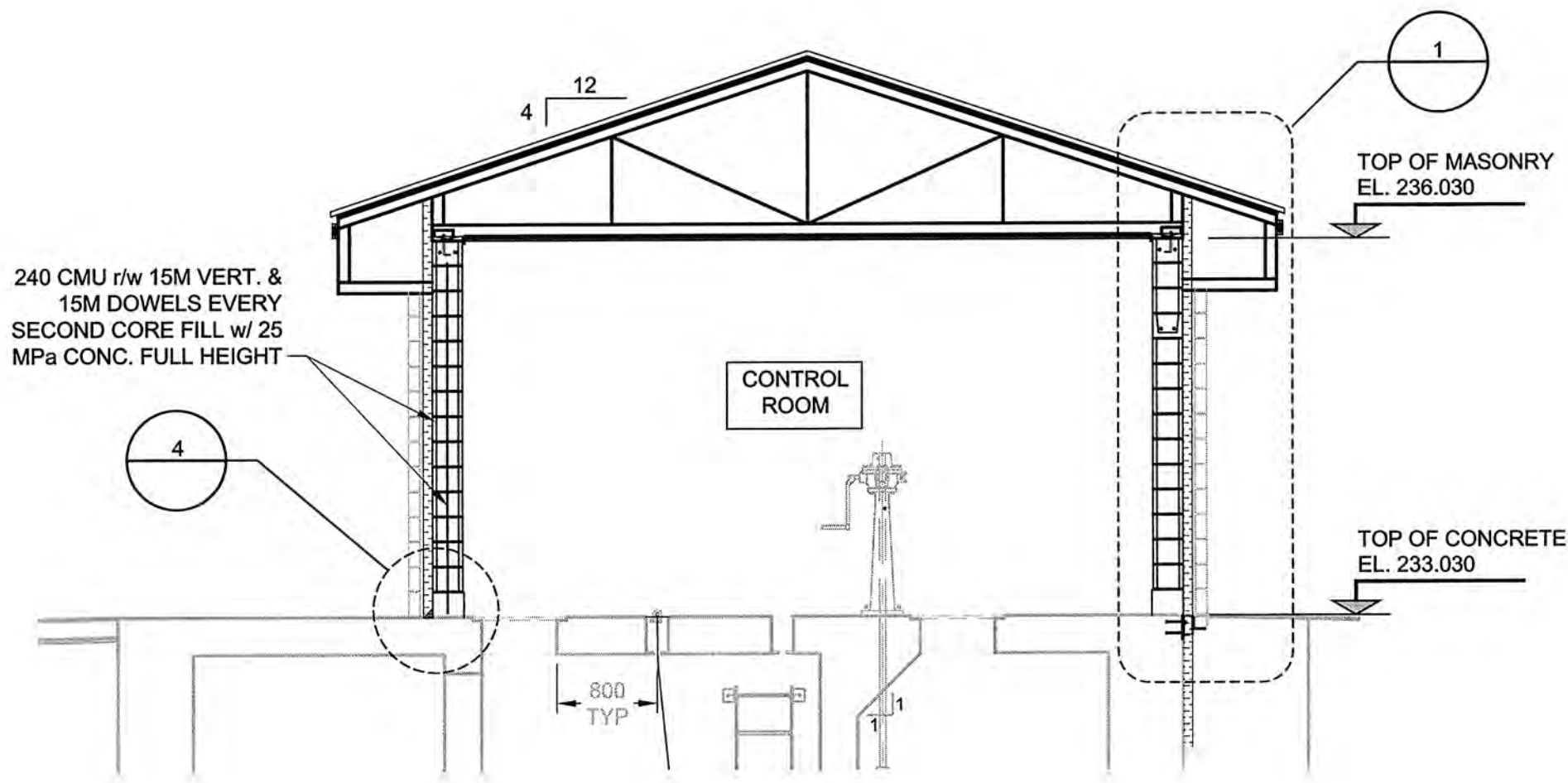
D SIZE 22" x 34" (559mm x 864mm)

PLOT: 12/07/27 2:41:25 PM

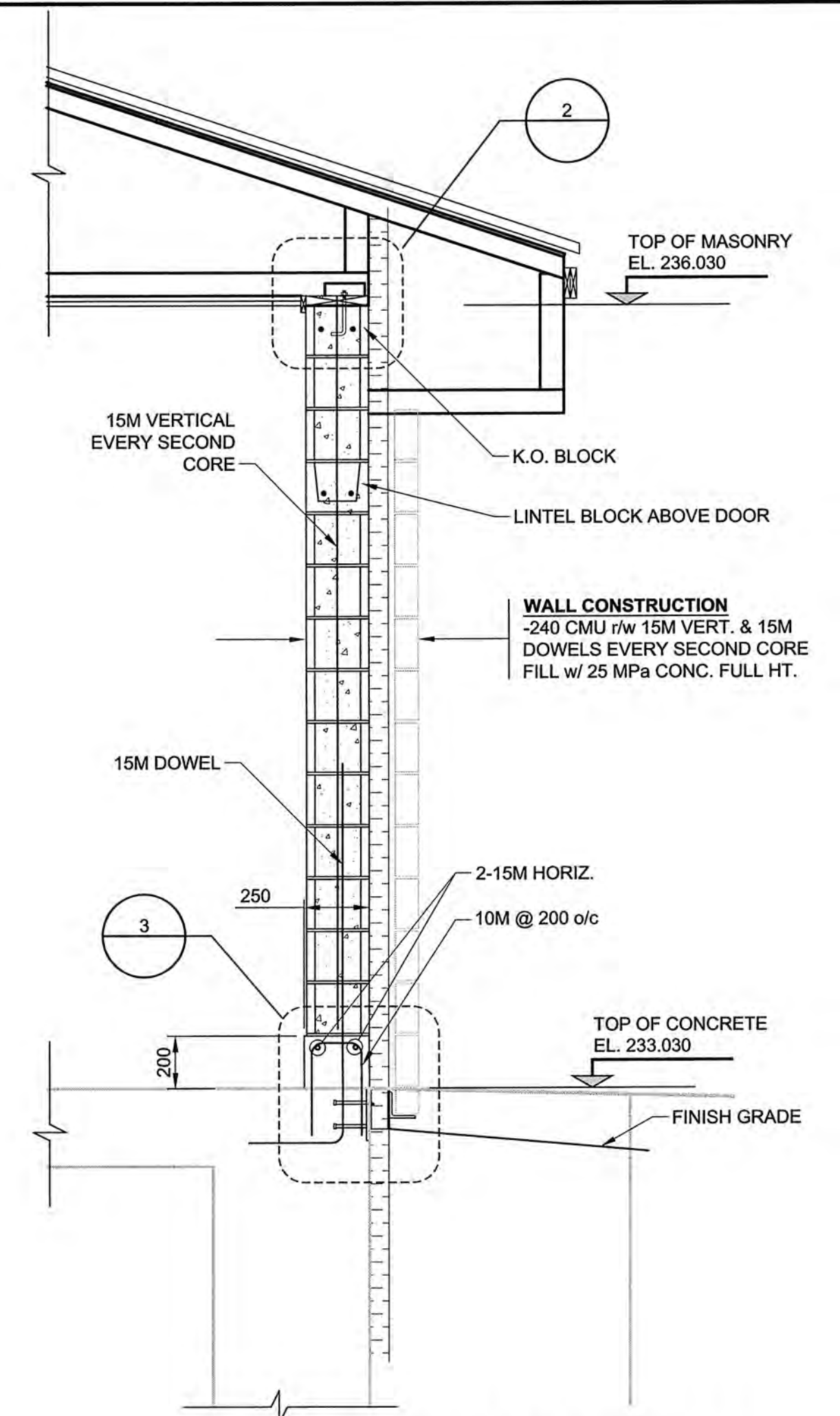
AECOM REVIEW DRAFT CHK AL AECOM FILE NAME: 60221826-02-S-301-R0X.dwg Saved By: cooperkl



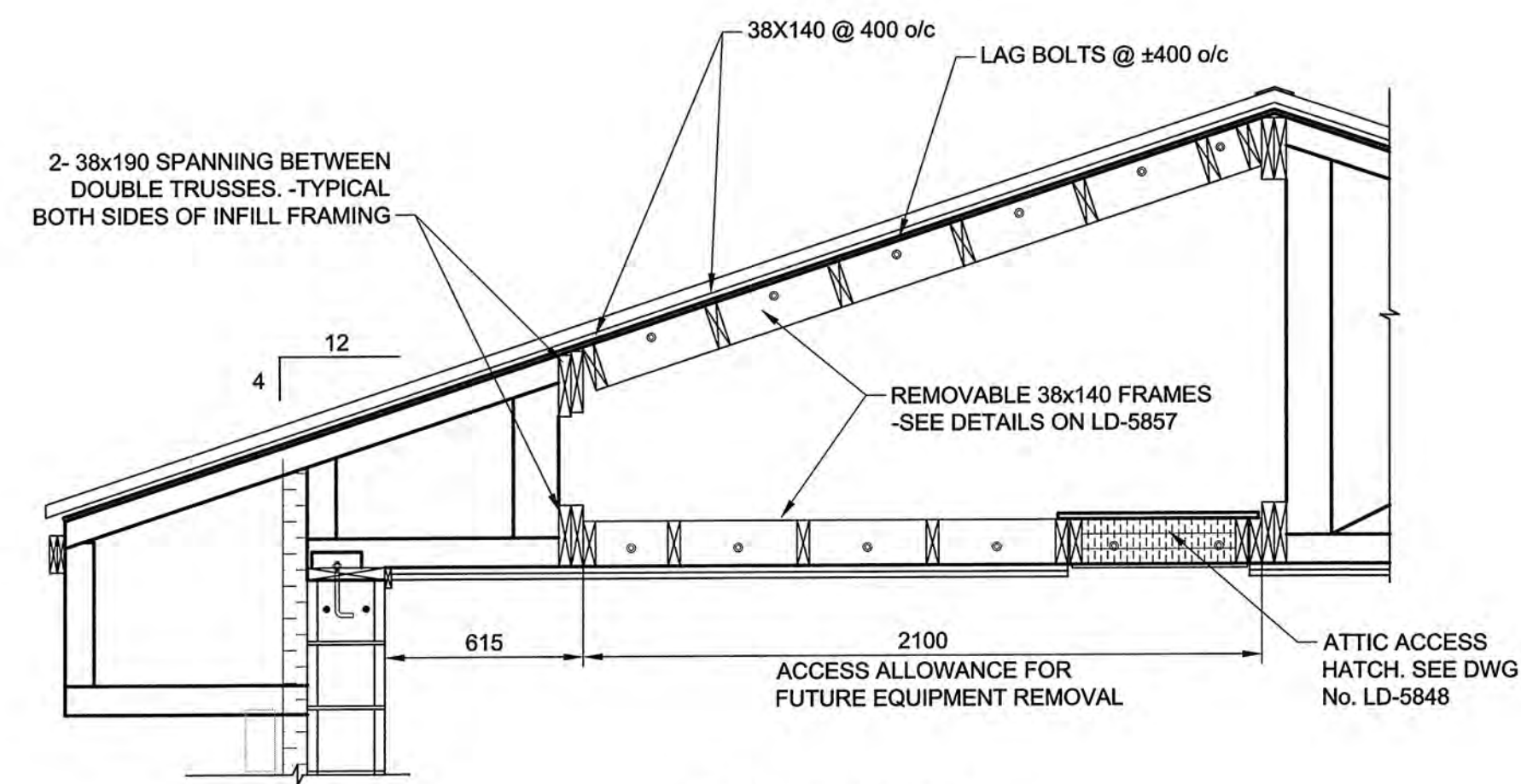
A SECTION
LD-5855 Scale 1:50



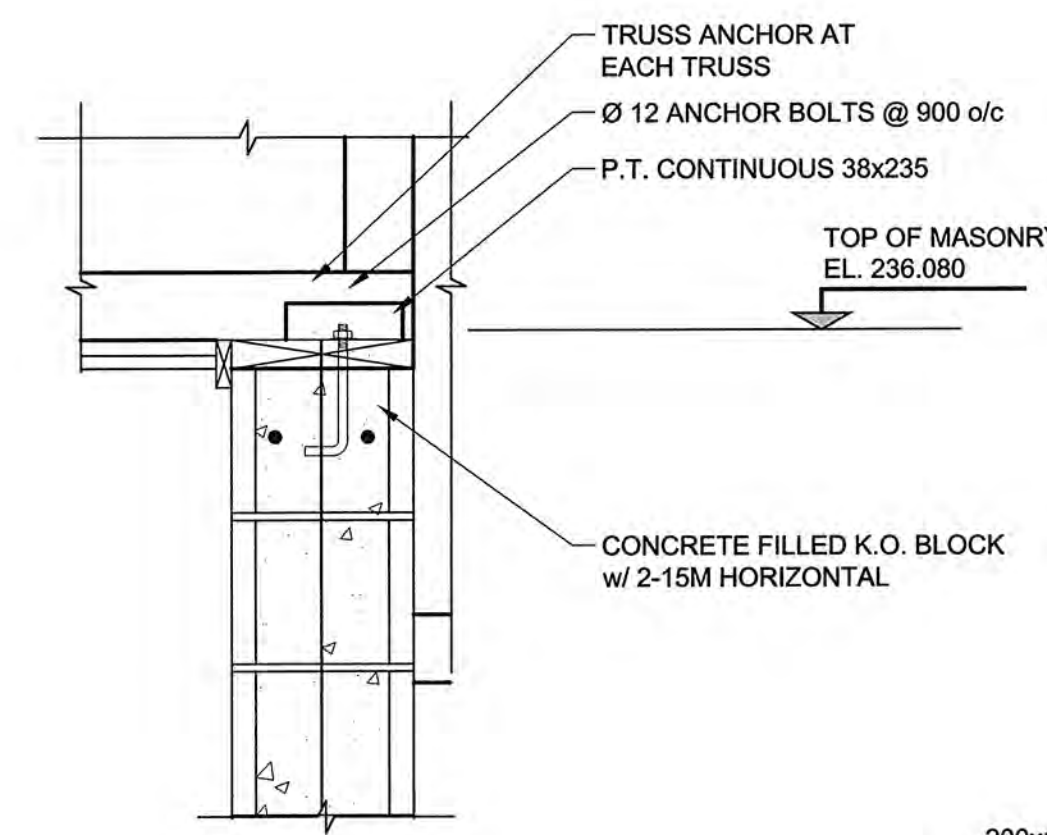
B SECTION
LD-5855 Scale 1:50



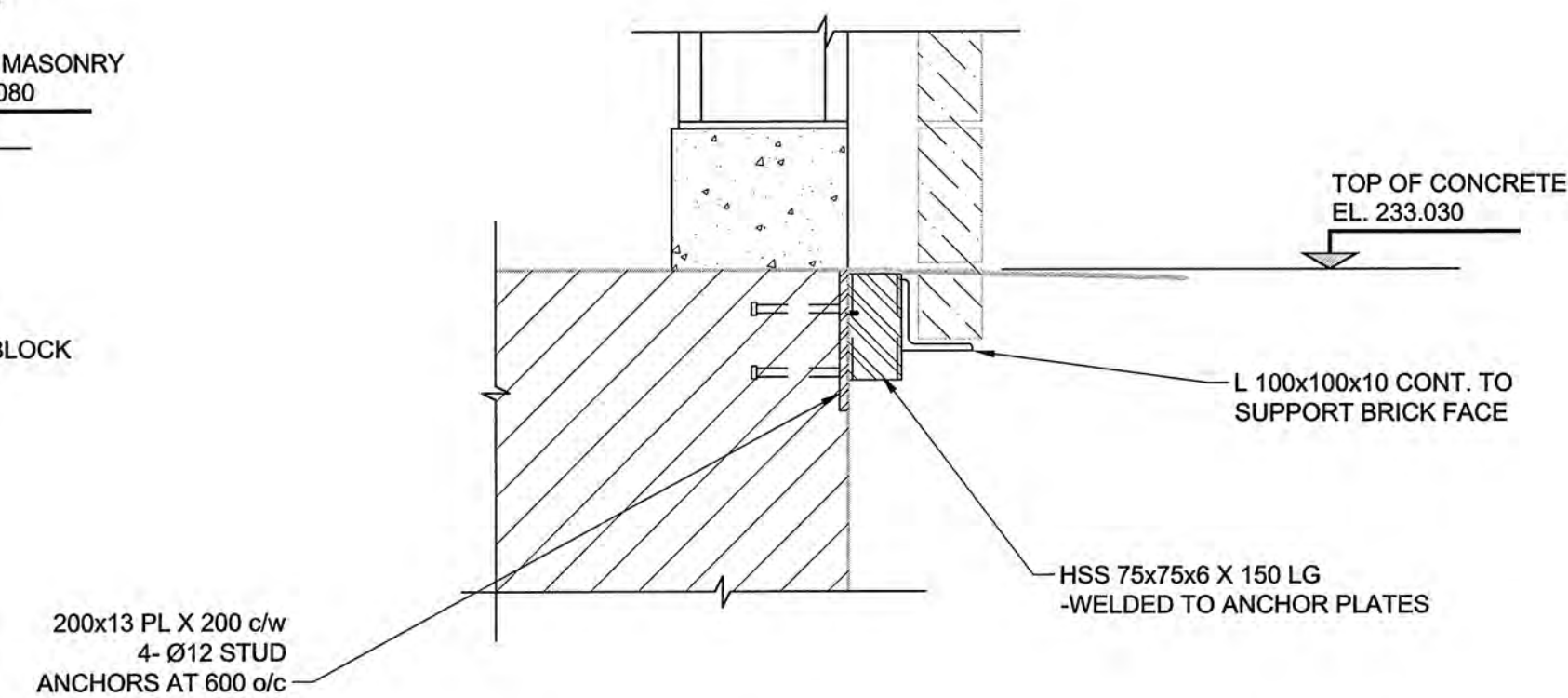
1 TYPICAL WALL DETAIL
Scale 1:20



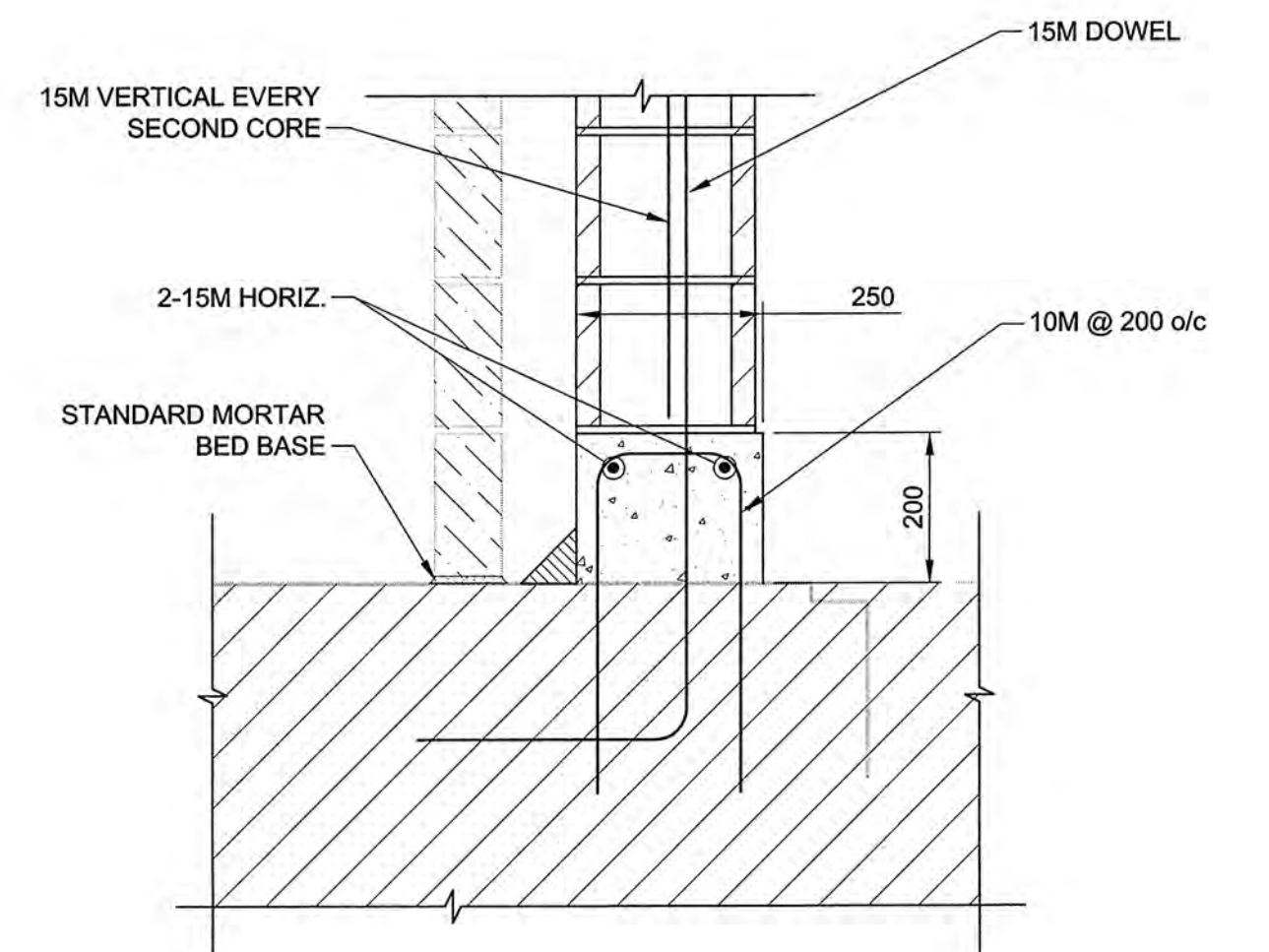
C SECTION
LD-5855 Scale 1:20



2 TYPICAL BOND BEAM DETAIL
Scale 1:10



3 TYPICAL BRICK SUPPORT DETAIL
Scale 1:10



4 TYPICAL BASE DETAIL ON SLAB
Scale 1:10

BID OPPORTUNITY NO. 587-2012



METRIC
WHOLE NUMBERS INDICATE MILLIMETRES
DECIMALIZED NUMBERS INDICATE METRES

DESIGNED BY	GGP	CHECKED BY	KK
DRAWN BY	DEP	APPROVED BY	<i>Bygnadalela</i>
HOR. SCALE	AS SHOWN	RELEASED FOR CONSTRUCTION	
VERT. SCALE	N/A		
DATE	12/07/30	DATE	
NO.	ISSUED FOR CONSTRUCTION	12/07/27	WJH/KLC
NO.	REVISIONS	YYMMDD	BY

AECOM

PROFESSIONAL'S SEAL
PROVINCE OF MANITOBA
REGISTERED PROFESSIONAL ENGINEER
11/16
BISWANGER
2012/07/27

CONSULTANT DRAWING NO.
60221826-02-S-301-R0X.dwg

THE CITY OF WINNIPEG
WATER & WASTE DEPARTMENT

INSTALLATION OF CONCRETE CULVERT AT PEMBINA HIGHWAY & BEAUJOLAIS COULEE

STRUCTURAL
FLOOD CONTROL STRUCTURE
SUPERSTRUCTURE, SECTIONS & DETAILS

SHEET 17 OF 19
CITY DRAWING NUMBER
LD-5856
REV 0