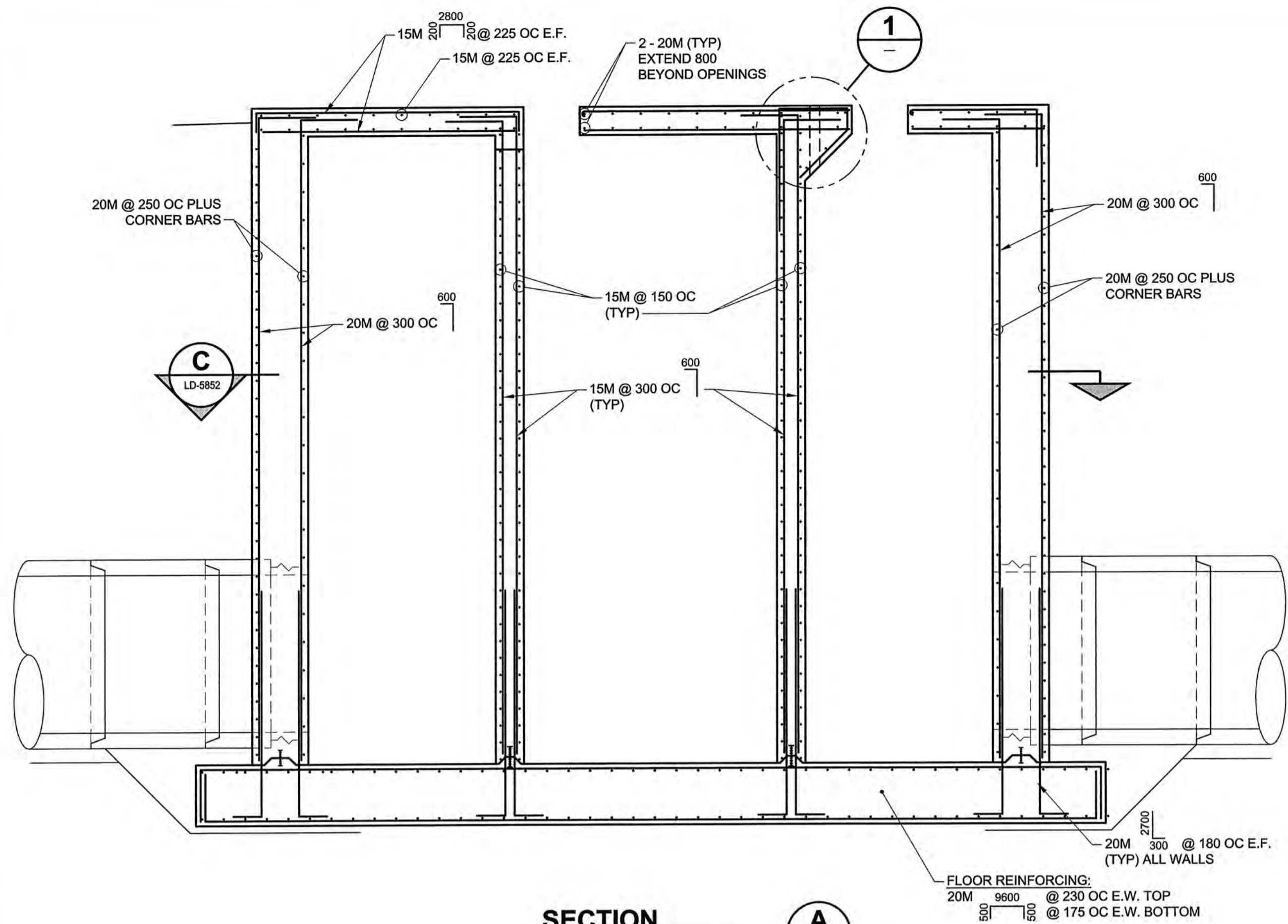


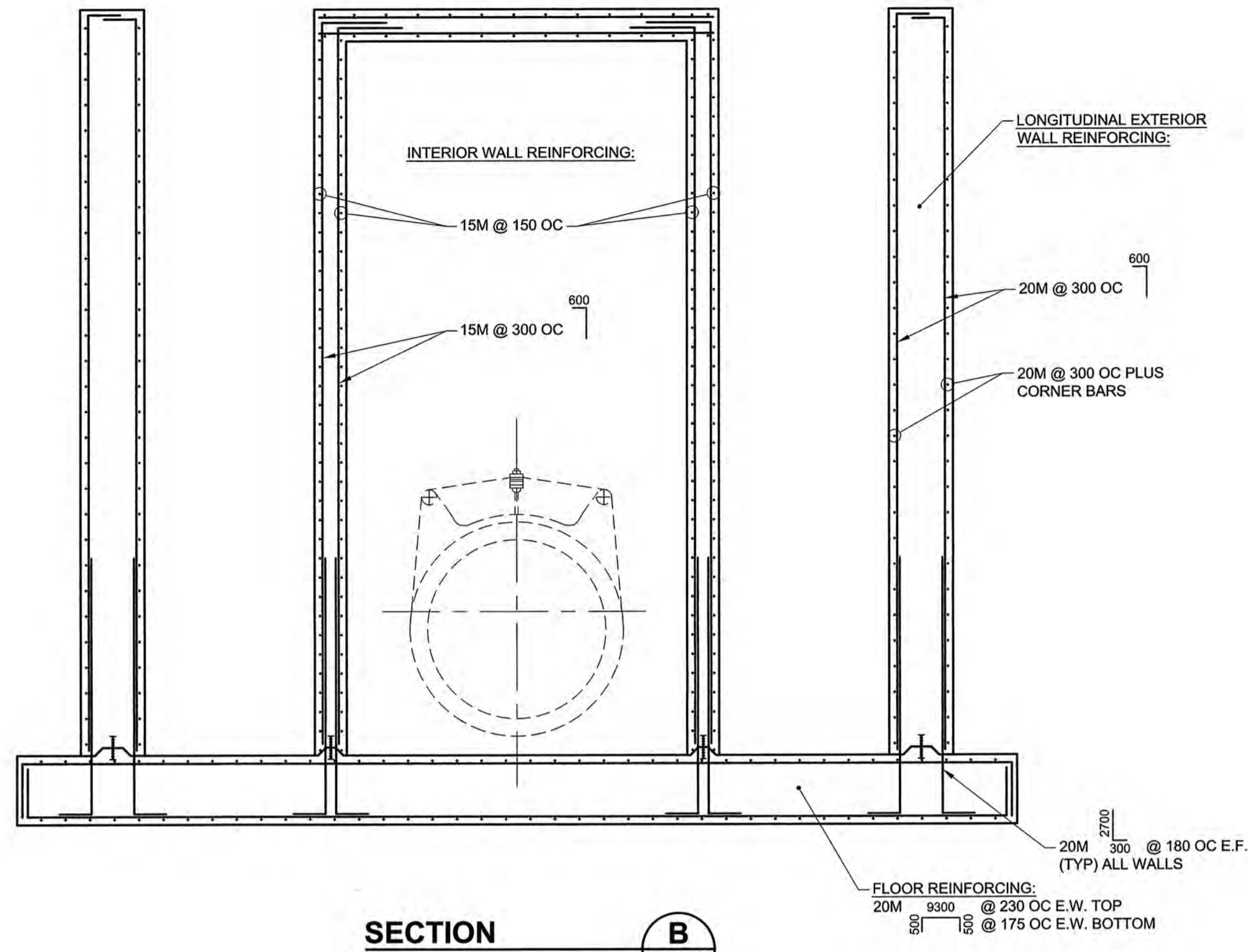
D SIZE 22" x 34" (559mm x 864mm)

PLOT: 12/07/27 10:24:05 AM

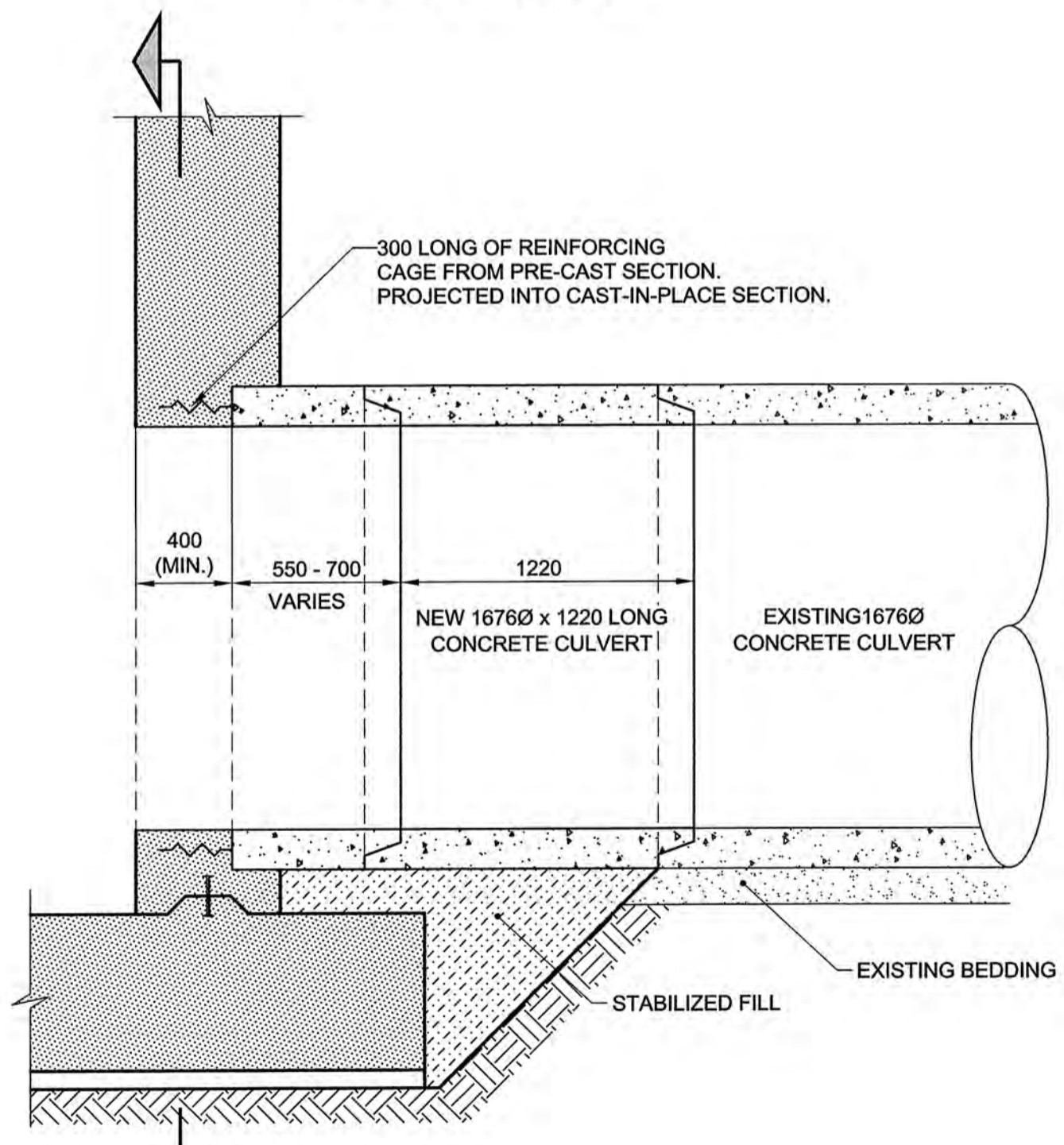
AECOM REVIEW DRFT CHK AECOM FILE NAME: 60221826-02-C-108-R0X.dwg Saved By: ccoppehkl



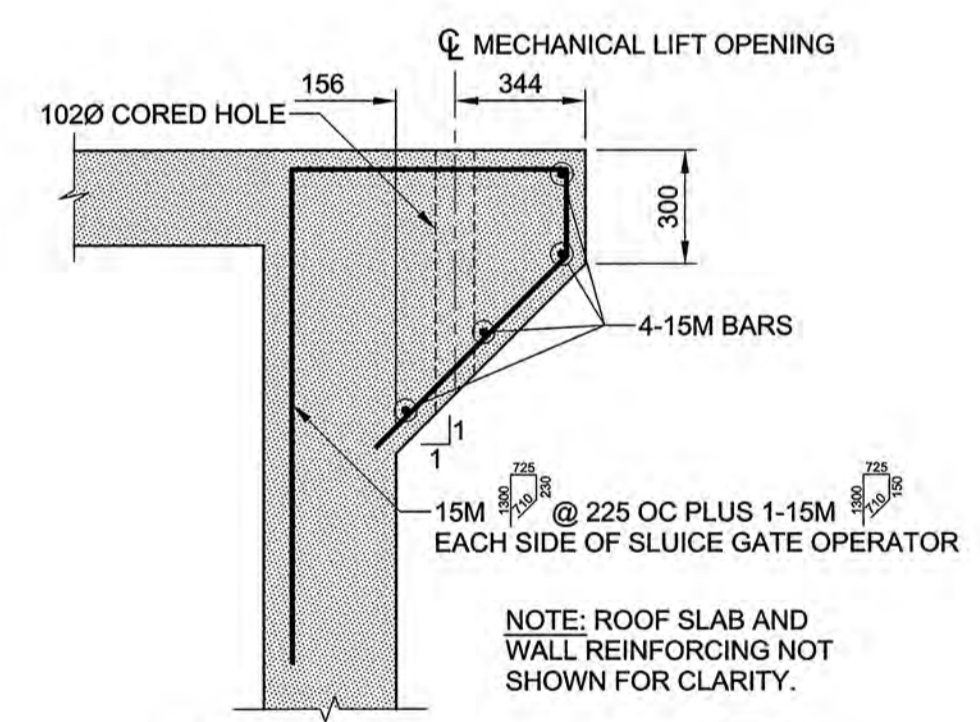
SECTION A
LD-5852
STRUCTURE REINFORCING
SCALE 1:40



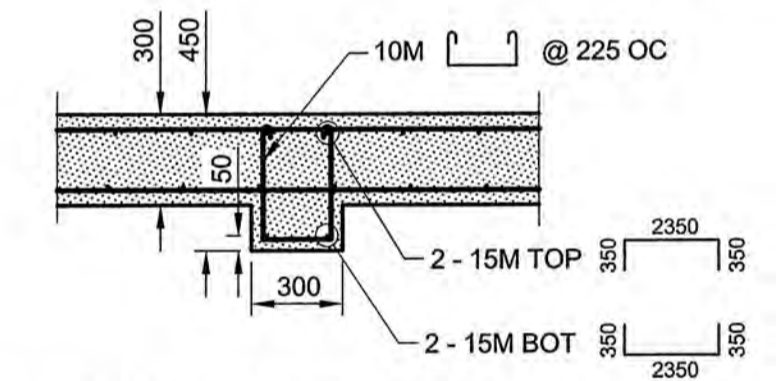
SECTION B
LD-5852
STRUCTURE REINFORCING
SCALE 1:40



TYPICAL PIPE CONNECTION
LD-5852
SCALE 1:25
AT 1676 PIPE OPENINGS (2 LOCATIONS)



DETAIL 1
SCALE 1:20



SUPPORT BEAM DETAIL
SCALE 1:25

APEGM
Certificate of Authorization
AECOM Canada Ltd.
No. 4671 Date: July 21, 2012

METRIC
WHOLE NUMBERS INDICATE MILLIMETRES
DECIMALIZED NUMBERS INDICATE METRES

BID OPPORTUNITY NO. 587-2012

AECOM

PROFESSIONAL'S SEAL
PROVINCE OF MANITOBA
REGISTERED PROFESSIONAL ENGINEER
BISWANGER
2012/07/27

THE CITY OF WINNIPEG
Winnipeg
WATER & WASTE DEPARTMENT

CONSTRUCTION OF FLOOD CONTROL STRUCTURE AT PEMBINA HIGHWAY & BEAUJOLAIS COULEE

STRUCTURAL
FLOOD CONTROL STRUCTURE
REINFORCING SECTIONS & DETAILS 2

SHEET 14 OF 19
CITY DRAWING NUMBER
LD-5853
REV 0

LOCATION APPROVED UNDERGROUND STRUCTURES

SUPR. U/G STRUCTURES COMMITTEE	DATE

NOTE: LOCATION OF UNDERGROUND STRUCTURES AS SHOWN ARE BASED ON THE BEST INFORMATION AVAILABLE. BUT NO GUARANTEE IS GIVEN THAT ALL EXISTING UTILITIES ARE SHOWN OR THAT THE GIVEN LOCATIONS ARE EXACT. CONFIRMATION OF EXISTENCE AND EXACT LOCATION OF ALL SERVICES MUST BE OBTAINED FROM THE INDIVIDUAL UTILITIES BEFORE PROCEEDING WITH CONSTRUCTION.

NO.	ISSUED FOR CONSTRUCTION	DATE	BY
0	ISSUED FOR CONSTRUCTION	12/07/27	WJd/KLC
	REVISIONS	YYMMDD	BY

DESIGNED BY	JAT	CHECKED BY	JF
DRAWN BY	WJd	APPROVED BY	<i>[Signature]</i>
HOR. SCALE	1:100	RELEASED FOR CONSTRUCTION	
VERT. SCALE	N/A	DATE	12/07/30

CONSULTANT DRAWING NO.
60221826-02-C-108-R0X.dwg