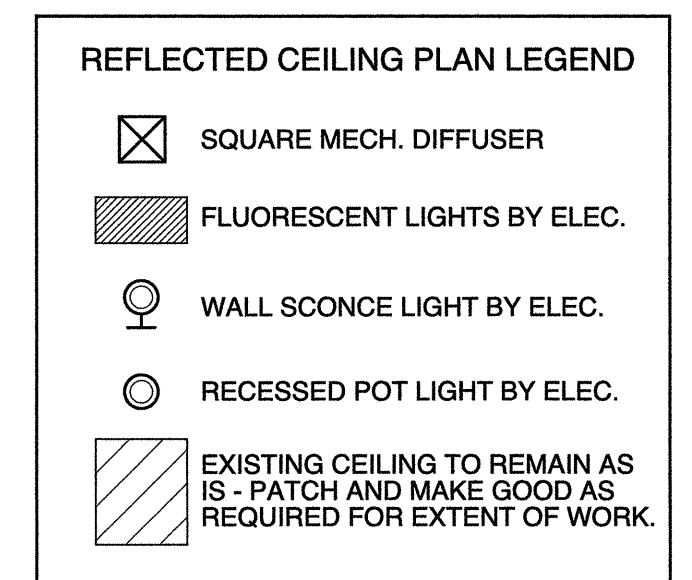
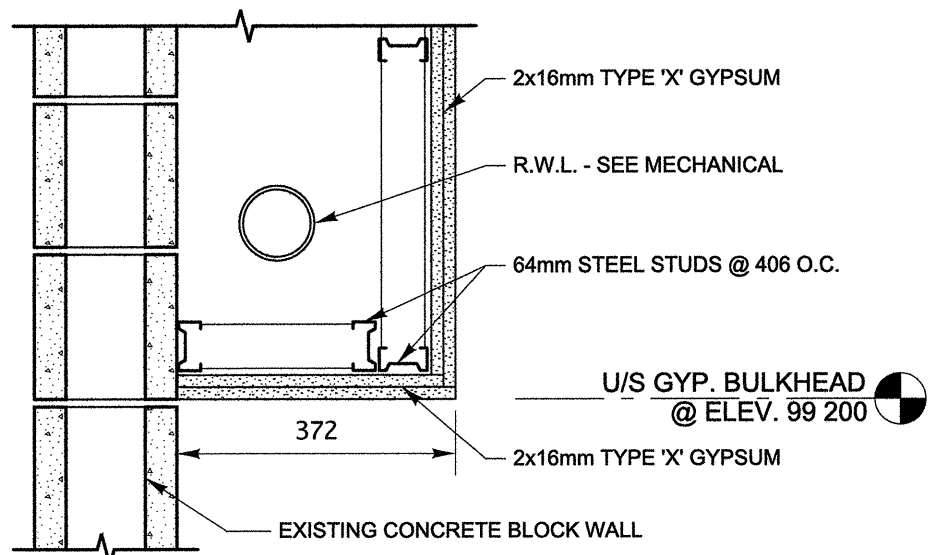


GENERAL NOTES:

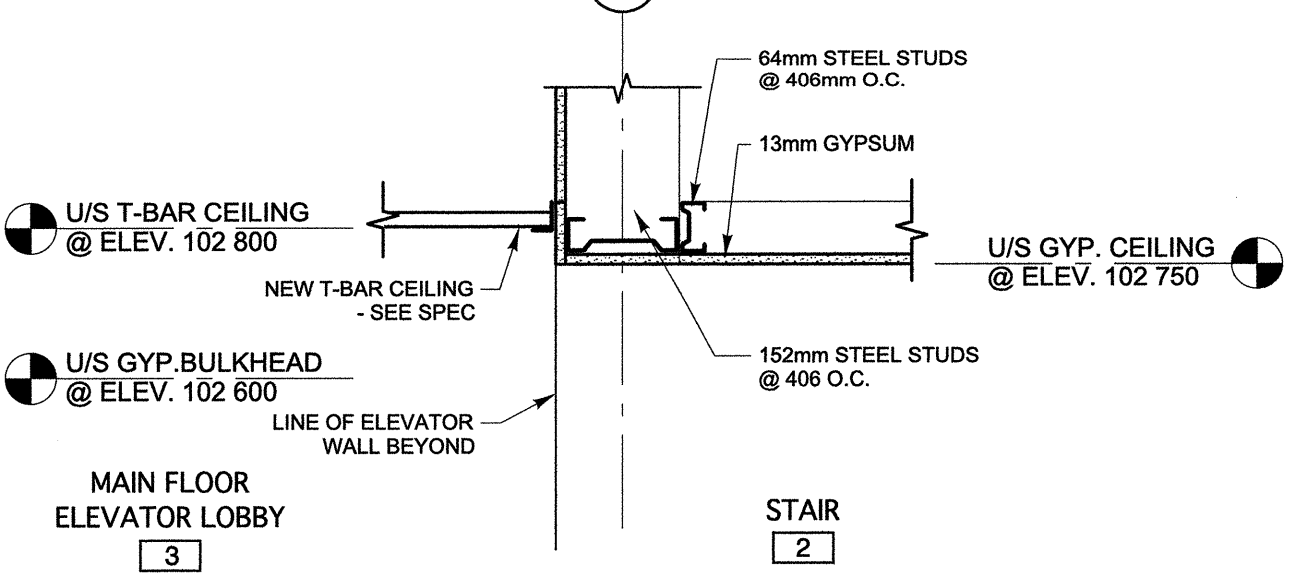
- REPAIR AND MAKE GOOD OF ALL NEW TO EXISTING LOCATIONS AS REQUIRED.
- ALL CEILING HEIGHTS ARE MEASURED FROM 100 00 LEVEL.
- PAINT ALL EXPOSED MECHANICAL TO MATCH EXPOSED CEILINGS AS SPECIFIED IN FINISH SCHEDULE.



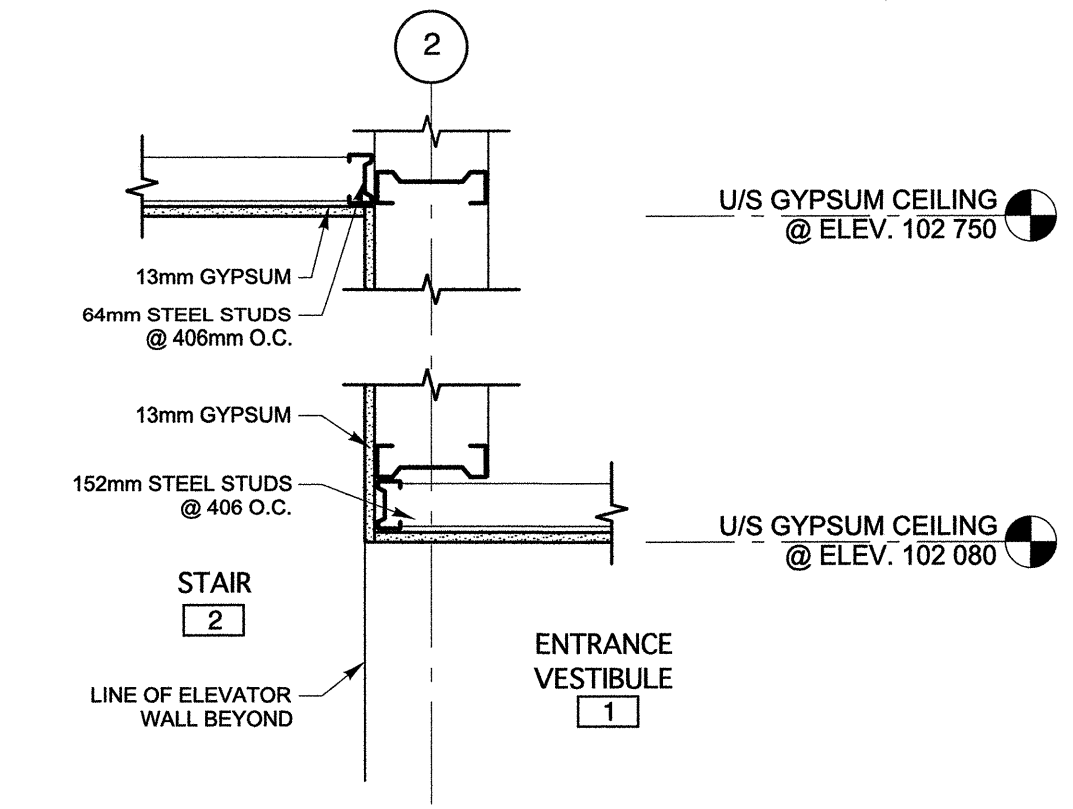
1 BASEMENT REFLECTED CEILING PLAN
A-3.4 SCALE: 1:50



3 RATED BULKHEAD DETAIL
A-3.4 SCALE: 1:10



4 BULKHEAD DETAIL - MAIN LOBBY
A-3.4 SCALE: 1:10



5 BULKHEAD DETAIL - ENTRANCE VEST.
A-3.4 SCALE: 1:10

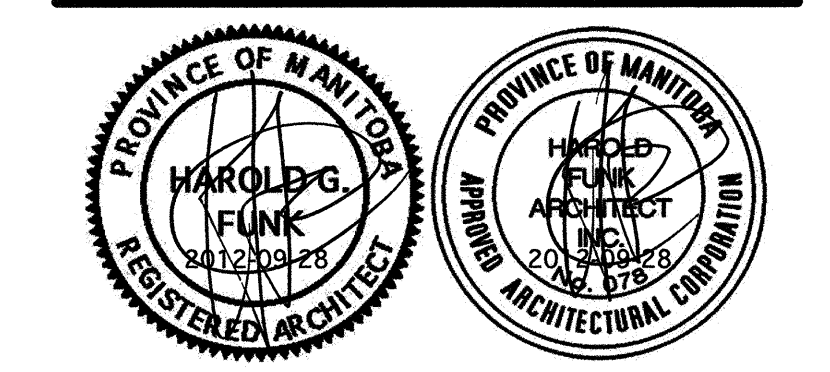
2 MAIN FLOOR REFLECTED CEILING PLAN
A-3.4 SCALE: 1:50

revision ISSUED FOR TENDER SEPT. 28, 2012

This drawing must not be scaled.
The general Contractor must verify all dimensions, datums and levels prior to commencement of work. All errors and omissions must be reported immediately to the Architect.

Variations and modifications to work shown on this drawing shall not be carried out without written permission from the Architect.

This drawing is the exclusive property of the Architect and cannot be reproduced without written permission of the Architect. Reproduction must bear the name of the Architect. Copyright © 2012.



harold funk architect inc.

Harold Funk Architect Inc.
Architecture and Urban Design
401-55 Donald Street, Winnipeg, Manitoba R3C 1L8
T (204) 943-5087 info@funkarchitect.com
F (204) 949-9231 funkarchitect.com

project
ELEVATOR ADDITION AND ACCESSIBILITY UPGRADES OF CENTURY ARENA
Winnipeg, Manitoba Bid Opportunity No. 579-2012

sheet title
BASEMENT AND MAIN FLOOR REFLECTED CEILING PLANS

project number: 12-003 drawing number:
scale: AS SHOWN **A-3.4**
drawn by: J.R.
approved by: H.F.
date: SEPT. 28, 2012