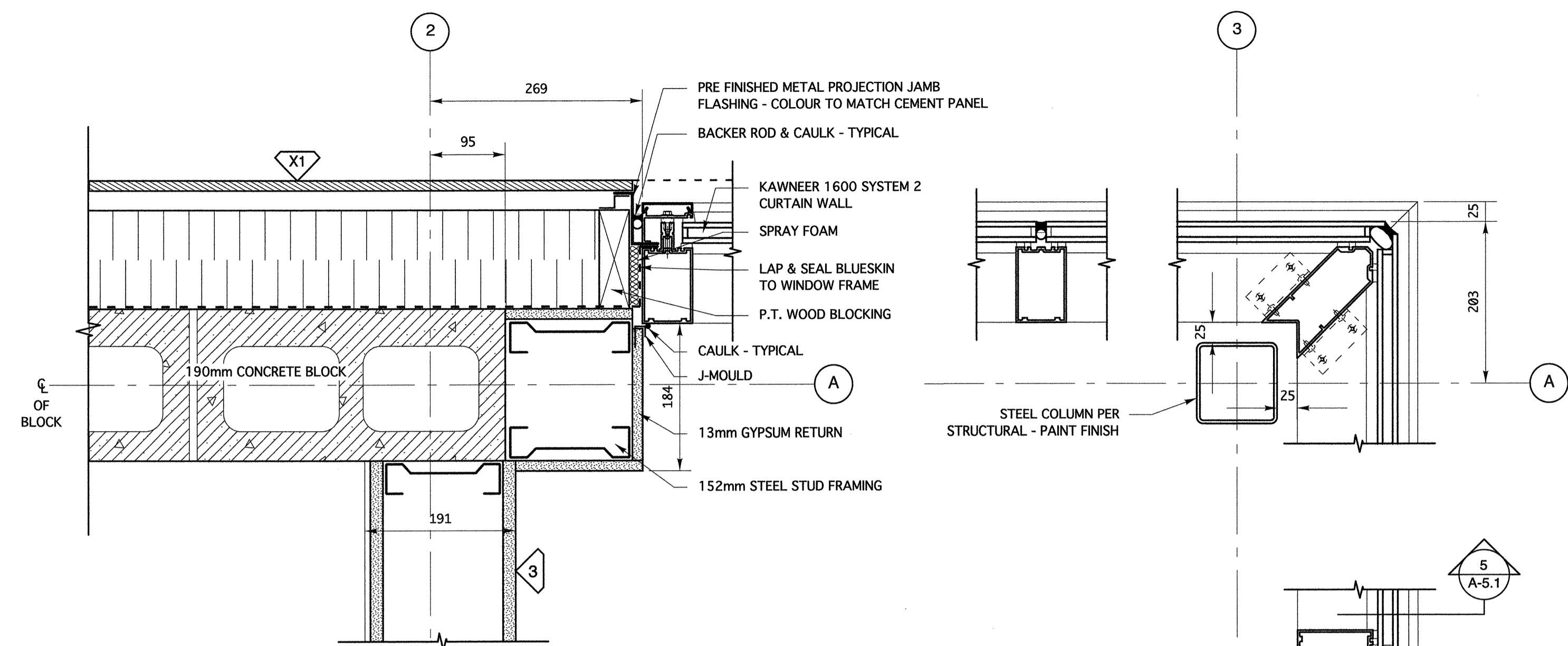
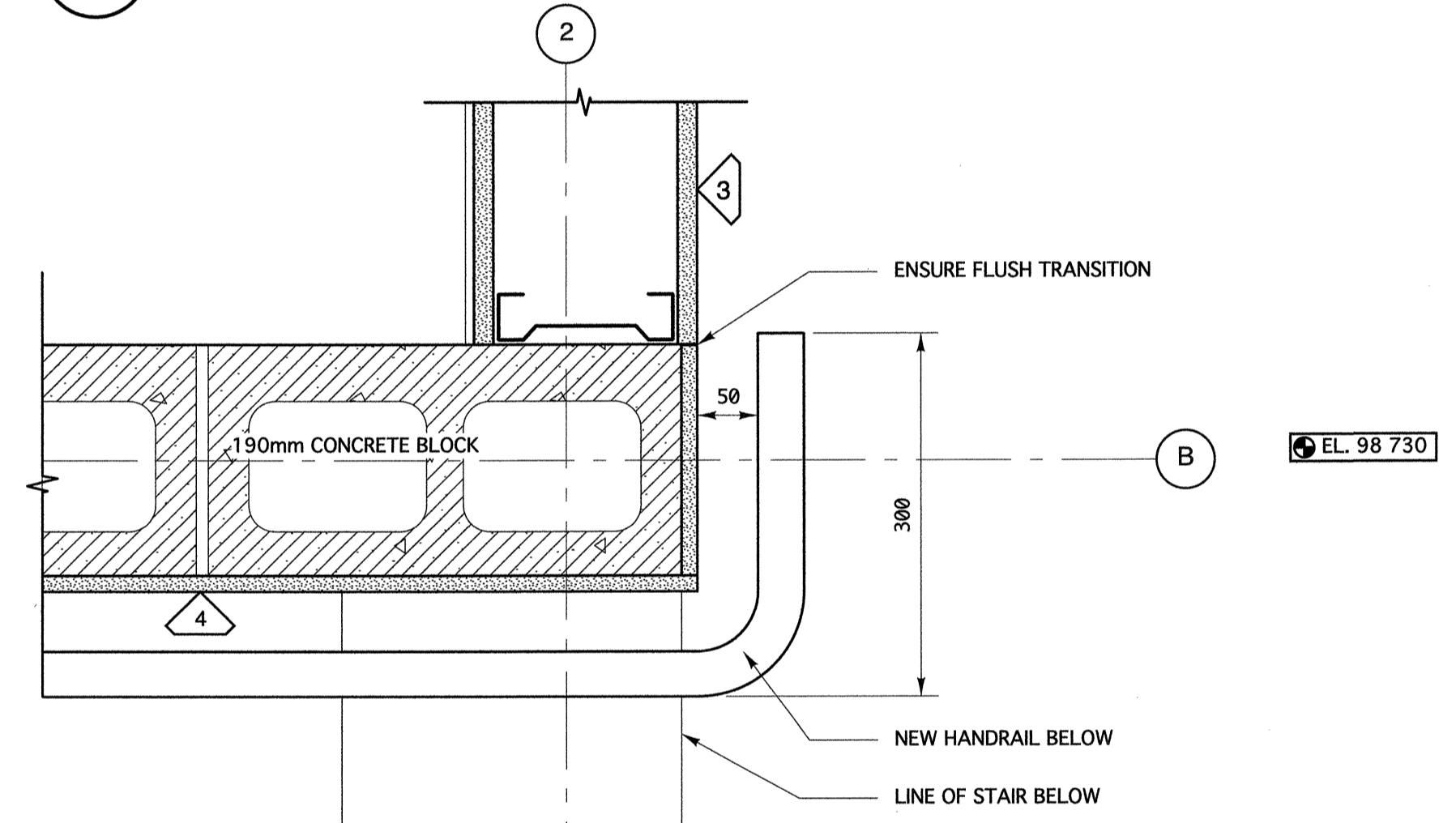


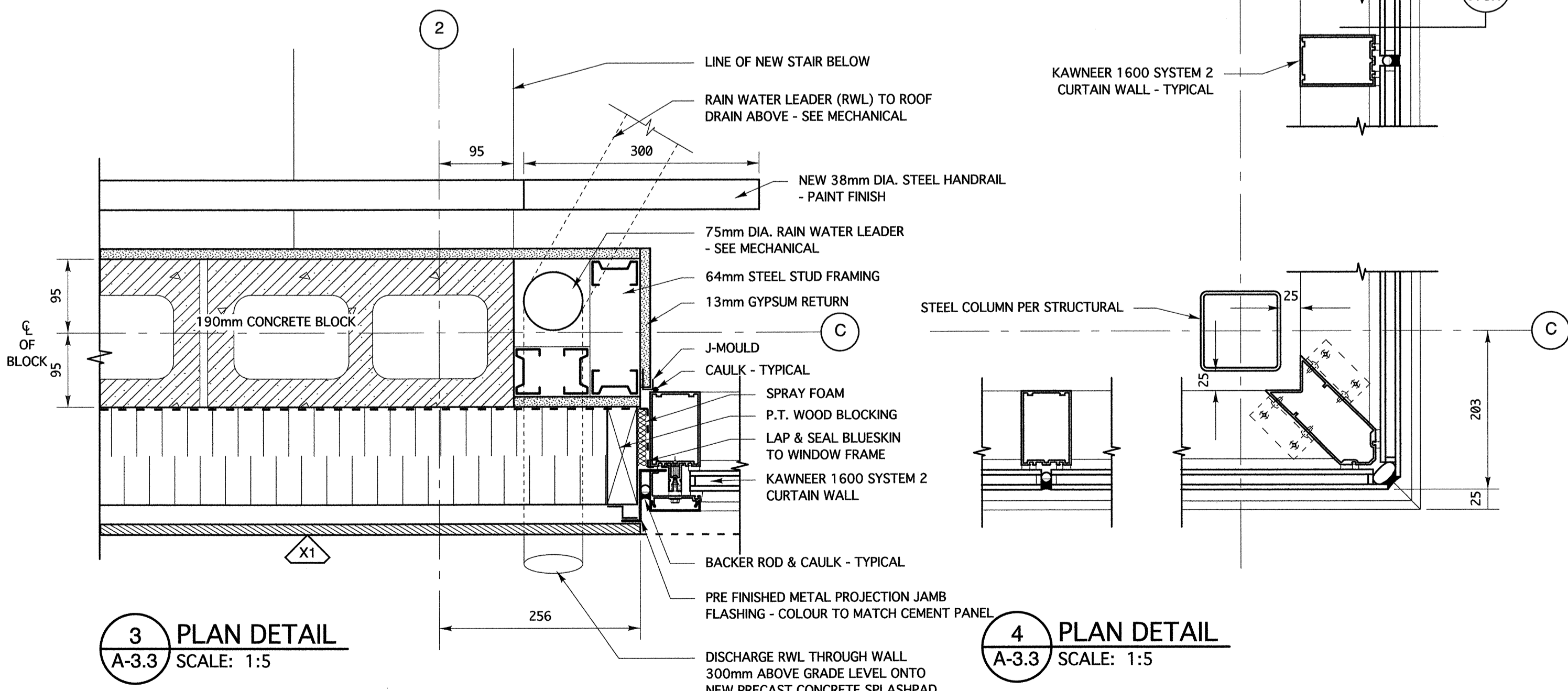
6 CONNECTION TO EXIST. PLAN DET.
A-3.3 SCALE: 1:10



1 PLAN DETAIL
A-3.3 SCALE: 1:5

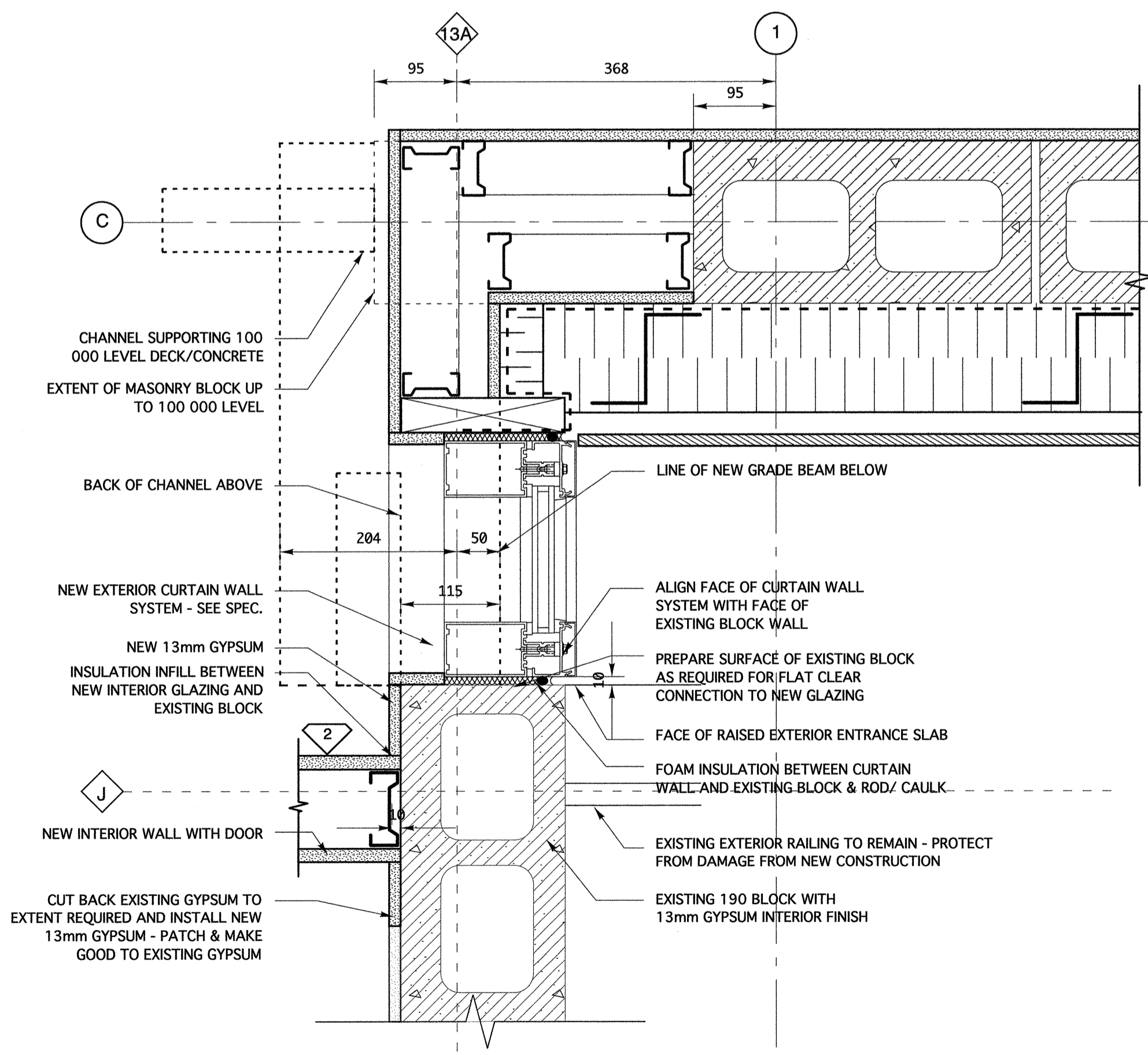


2 PLAN DETAIL
A-3.3 SCALE: 1:5

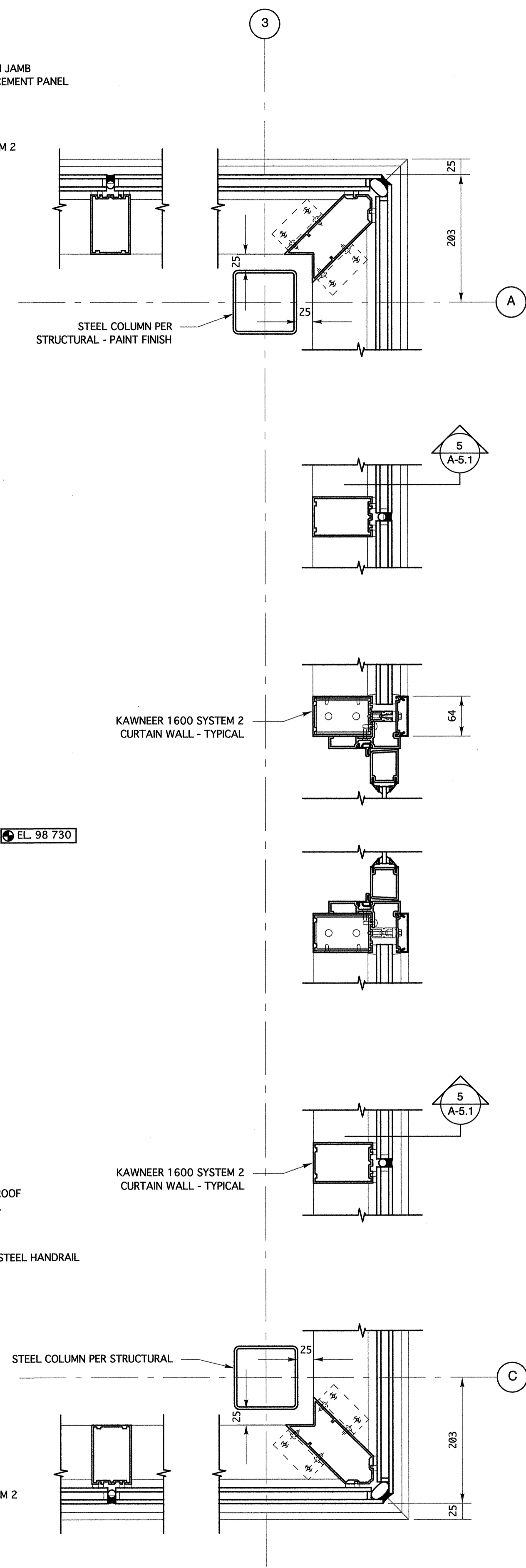


3 PLAN DETAIL
A-3.3 SCALE: 1:5

4 PLAN DETAIL
A-3.3 SCALE: 1:5

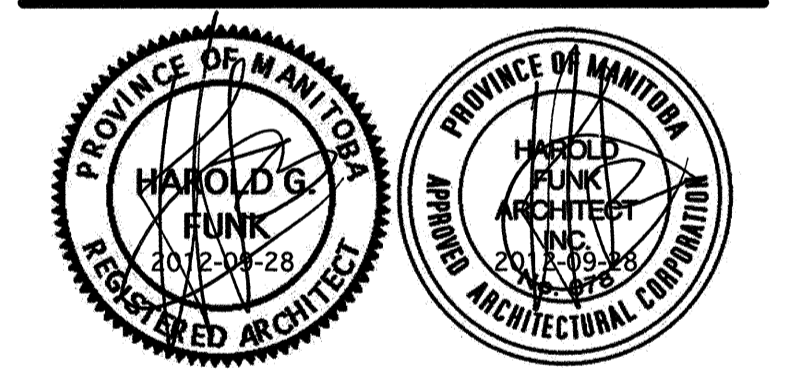


5 CONNECTION TO EXIST. PLAN DET.
A-3.3 SCALE: 1:5



ISSUED FOR TENDER SEPT. 28, 2012

revision
This drawing must not be scaled.
The general Contractor must verify all dimensions, datums and levels prior to commencement of work. All errors and omissions must be reported immediately to the Architect.
Variations and modifications to work shown on this drawing shall not be carried out without written permission from the Architect.
This drawing is the exclusive property of the Architect and cannot be reproduced without written permission of the Architect. Reproduction must bear the name of the Architect. Copyright © 2012.



harold funk architect inc.
Harold Funk Architect Inc.
Architecture and Urban Design
401-55 Donald Street, Winnipeg, Manitoba R3C 1L8
T (204) 943-5087 info@funkarchitect.com
F (204) 949-9231 funkarchitect.com

project
ELEVATOR ADDITION AND ACCESSIBILITY UPGRADES OF CENTURY ARENA
Winnipeg, Manitoba Bid Opportunity No. 579-2012

sheet title
PLAN DETAILS

project number: 12-003 drawing number:
scale: 1:100 or AS SHOWN **A-3.3**
drawn by: C.G.
approved by: H.F.
date: SEPT. 28, 2012