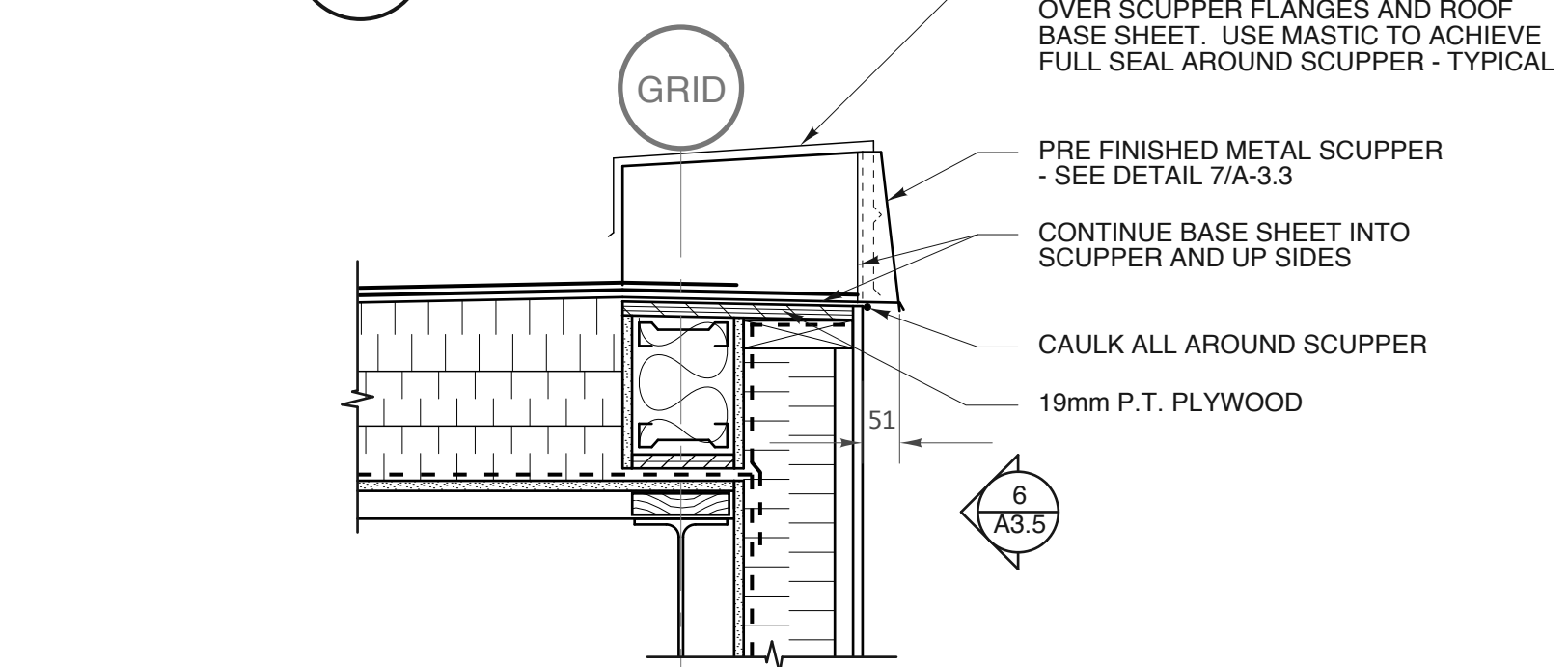
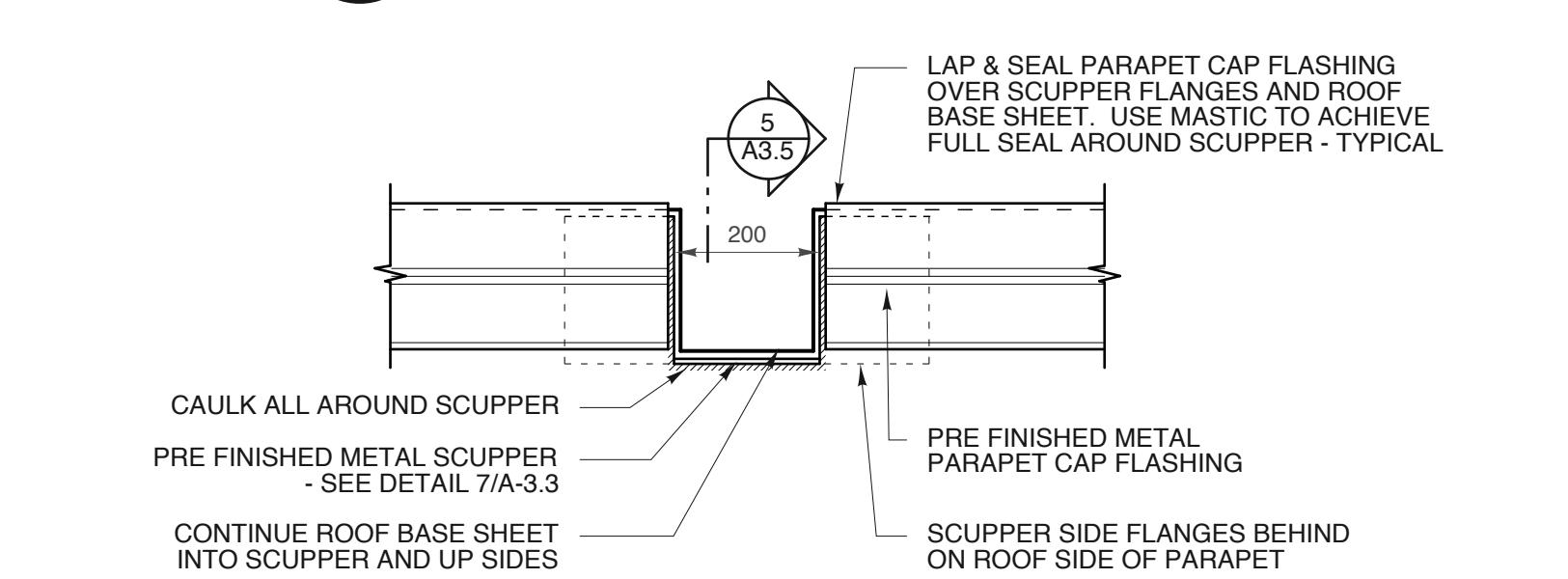


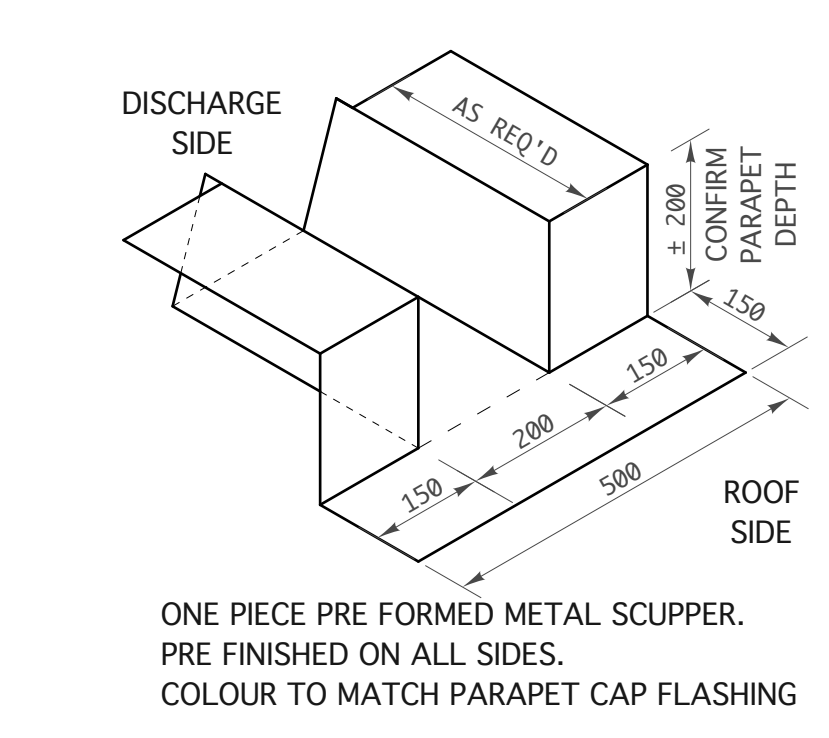
**1 ROOF PLAN**  
A-3.5 SCALE 1:100



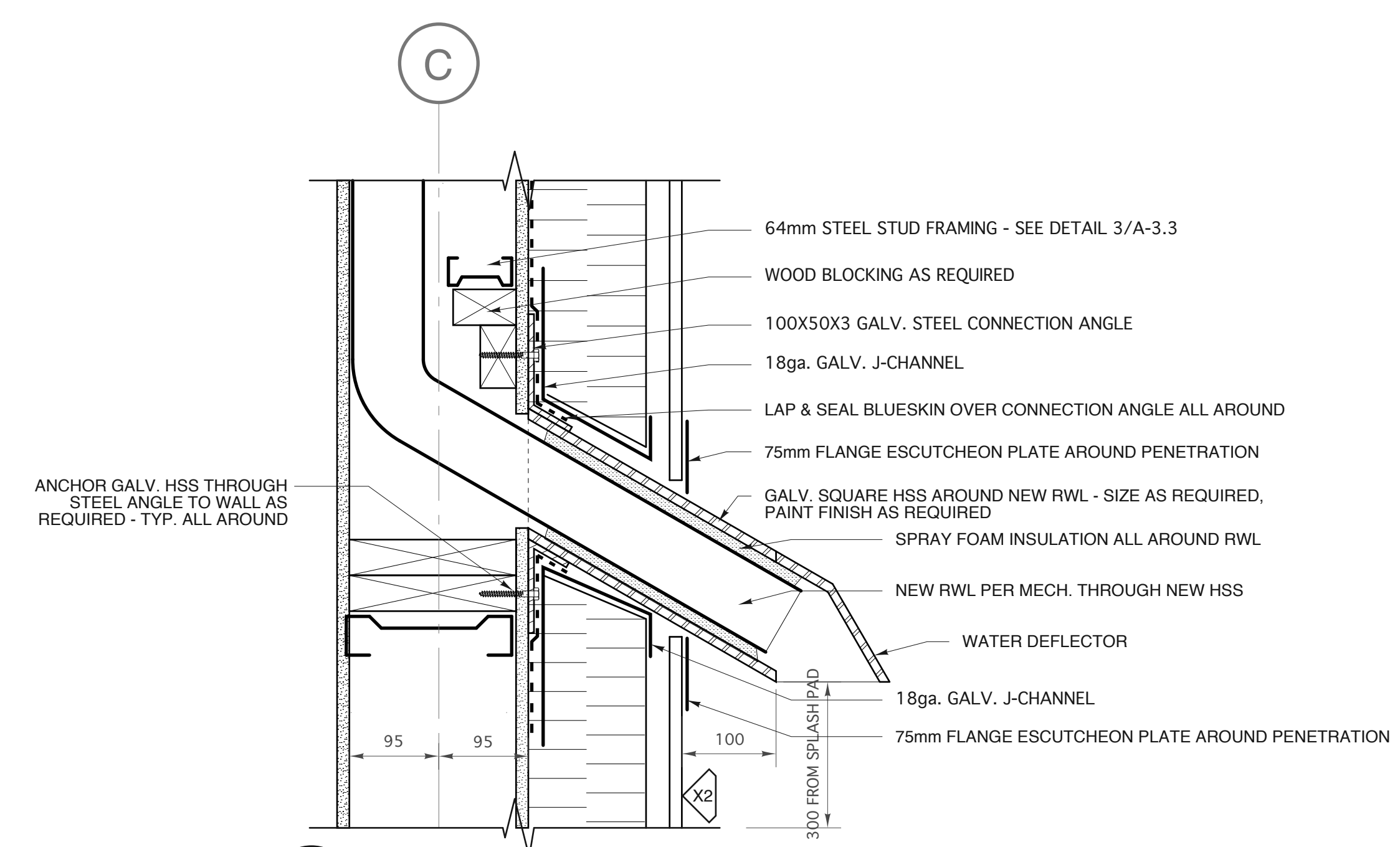
**5 OVERFLOW SCUPPER SECTION DETAIL**  
A-3.5 SCALE 1:10



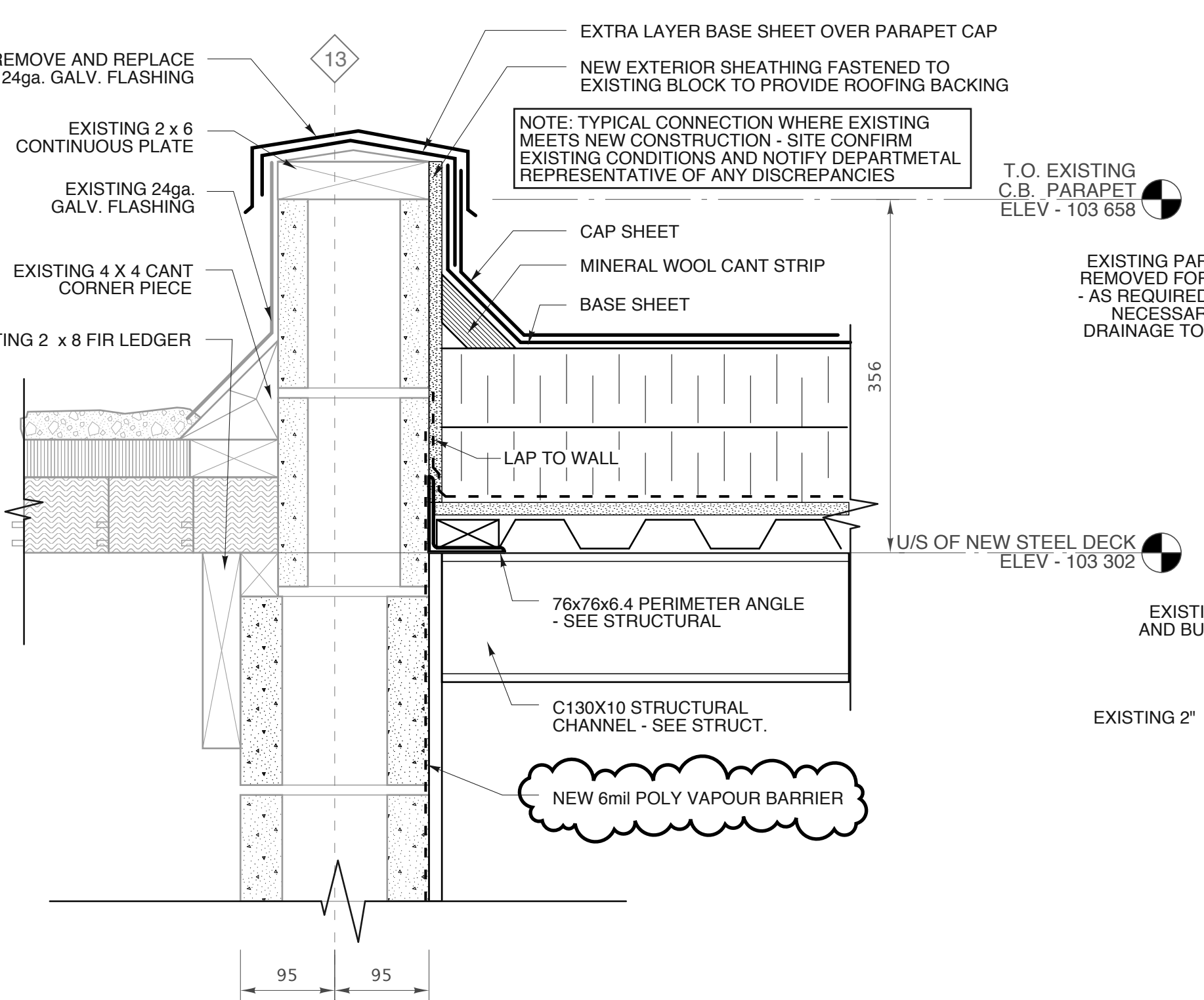
**6 OVERFLOW SCUPPER ELEVATION**  
A-3.5 SCALE 1:10



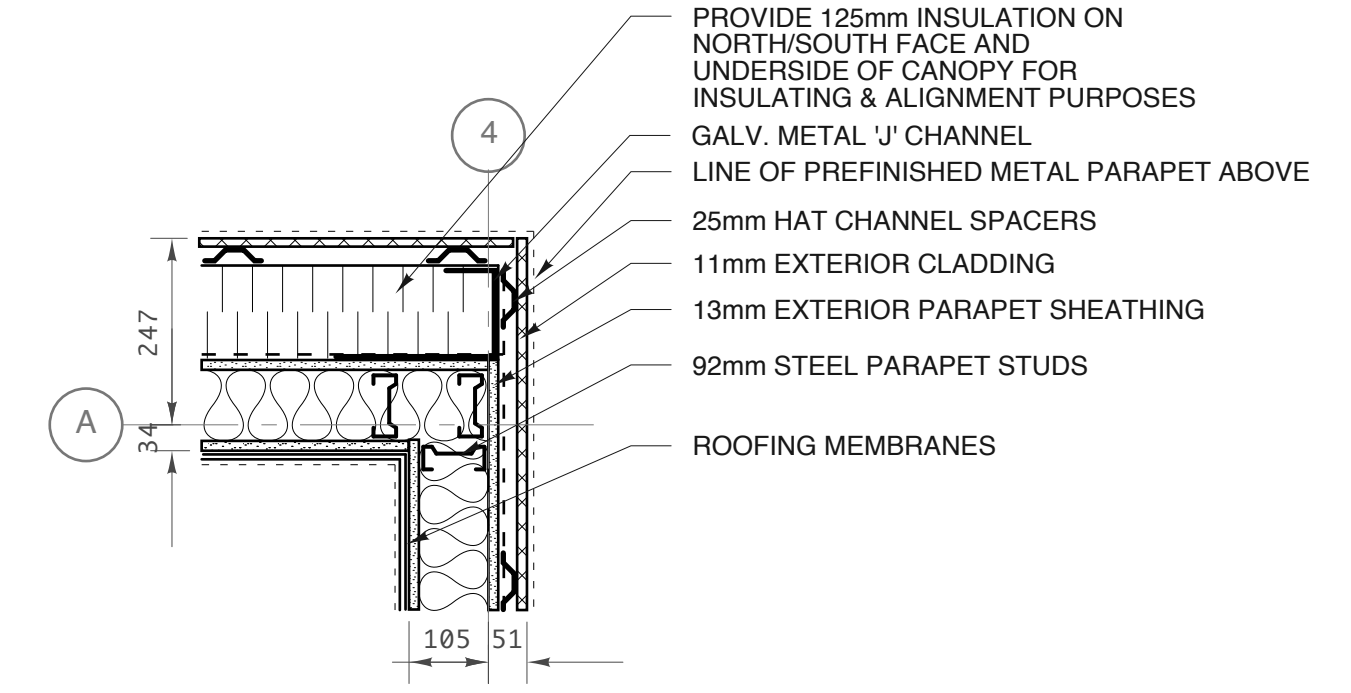
**7 PRE FIN. MTL. SCUPPER DETAIL**  
A-3.5 SCALE 1:10



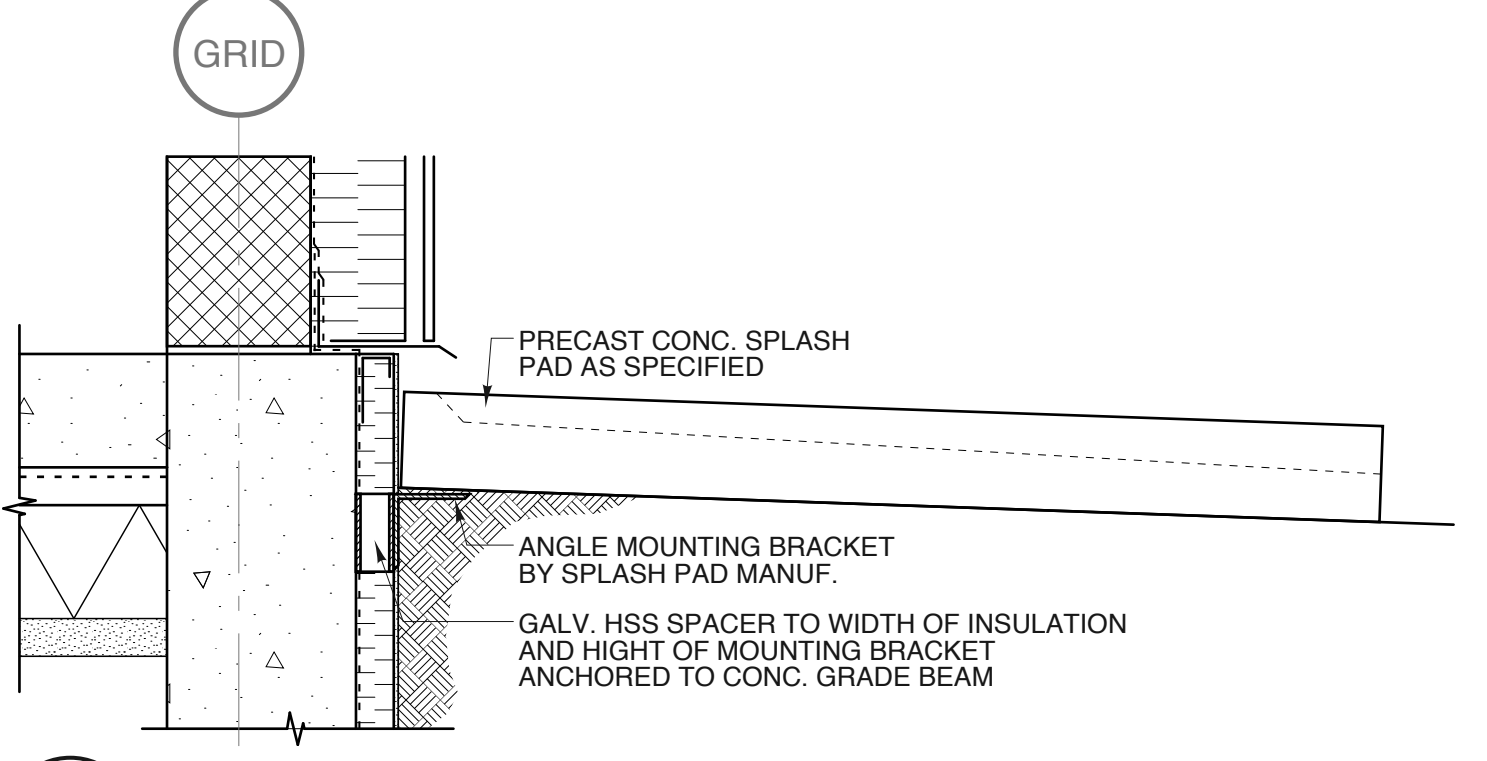
**2 R.W.L. @ WALL PENETRATION**  
A-3.5 SCALE 1:5



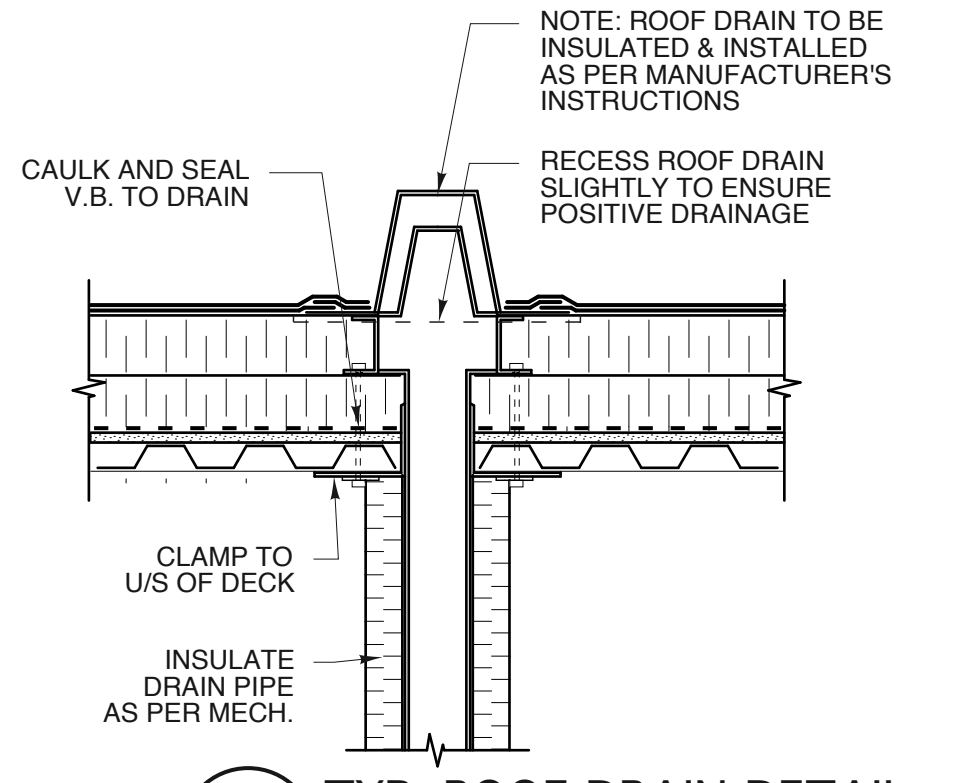
**9 NEW TO EXISTING PARAPET CONNECTION**  
A-3.5 SCALE 1:5



**8 CANOPY/WALL PLAN DET.**  
A-3.5 SCALE 1:10

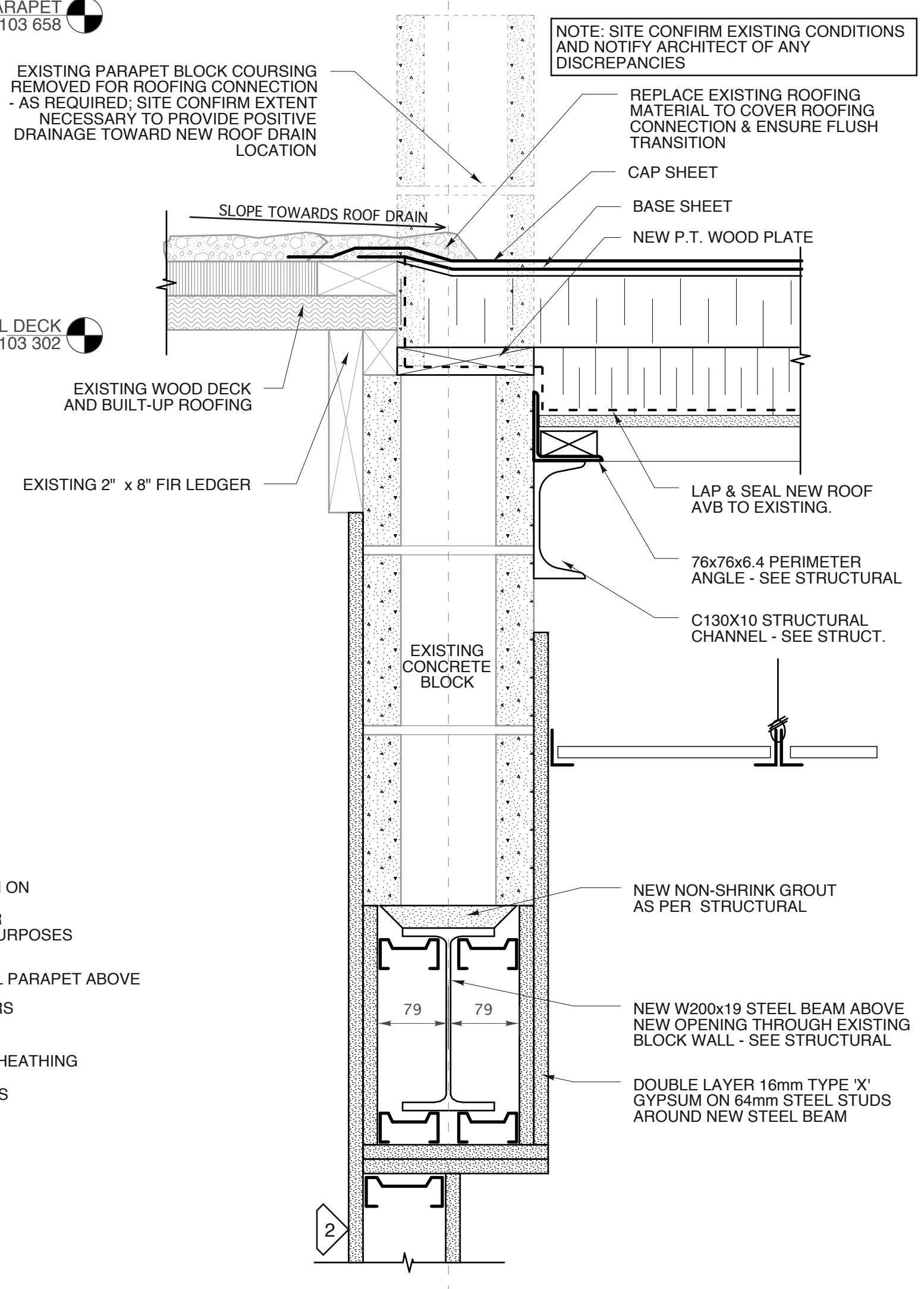


**3 SPLASH PAD MOUNTING DETAIL**  
A-3.5 SCALE 1:10



**4 TYP. ROOF DRAIN DETAIL**  
A-3.5 SCALE 1:10

TYPICAL NOTE:  
MAKE EVERY ATTEMPT TO TERMINATE NEW AVB TO EXISTING - WHERE NO EXISTING AVB IS PRESENT, NOTIFY DEPARTMENTAL REPRESENTATIVE FOR FURTHER REVIEW AND INSTRUCTION.



**10 NEW TO EXISTING PARAPET CONNECTION**  
A-3.5 SCALE 1:5

1 ISSUED FOR ADDENDUM 1 NOV. 27, 2012  
0 ISSUED FOR BID SEPT. 28, 2012  
revision

This drawing must not be scaled.  
The general Contractor must verify all dimensions, datums and levels prior to commencement of work. All errors and omissions must be reported immediately to the Architect.  
Variations and modifications to work shown on this drawing shall not be carried out without written permission from the Architect.  
This drawing is the exclusive property of the Architect and cannot be reproduced without written permission of the Architect. Reproduction must bear the name of the Architect. Copyright © 2012.

ORIGINAL DRAWINGS SEALED  
SEPTEMBER 28, 2012

**harold funk architect inc.**  
Harold Funk Architect Inc.  
Architecture and Urban Design  
401-55 Donald Street, Winnipeg, Manitoba R3C 1L8  
T (204) 943-5087 info@funkarchitect.com  
F (204) 943-9231 funkarchitect.com

project  
**ELEVATOR ADDITION AND ACCESSIBILITY UPGRADES OF CENTURY ARENA**  
Winnipeg, Manitoba Bid Opportunity No. 579-2012  
sheet title  
**ROOF PLAN AND DETAILS**

project number: 12-003 drawing number:  
scale: AS SHOWN A-3.5  
drawn by: C.G.  
approved by: H.F.  
date: SEPT. 28, 2012