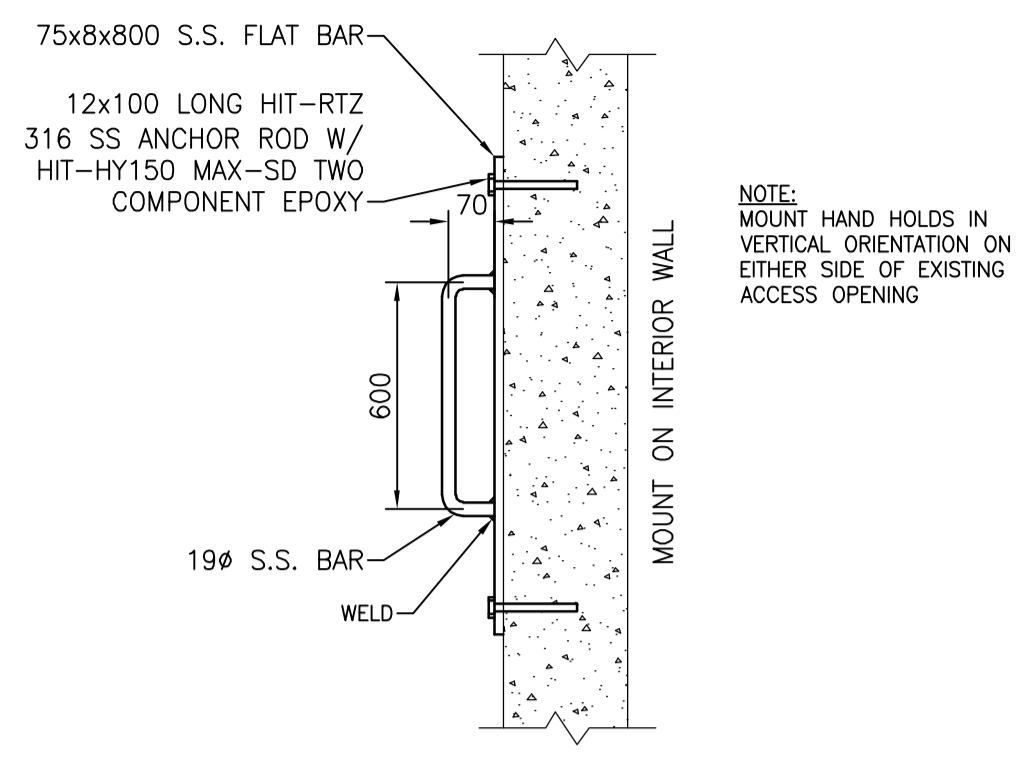
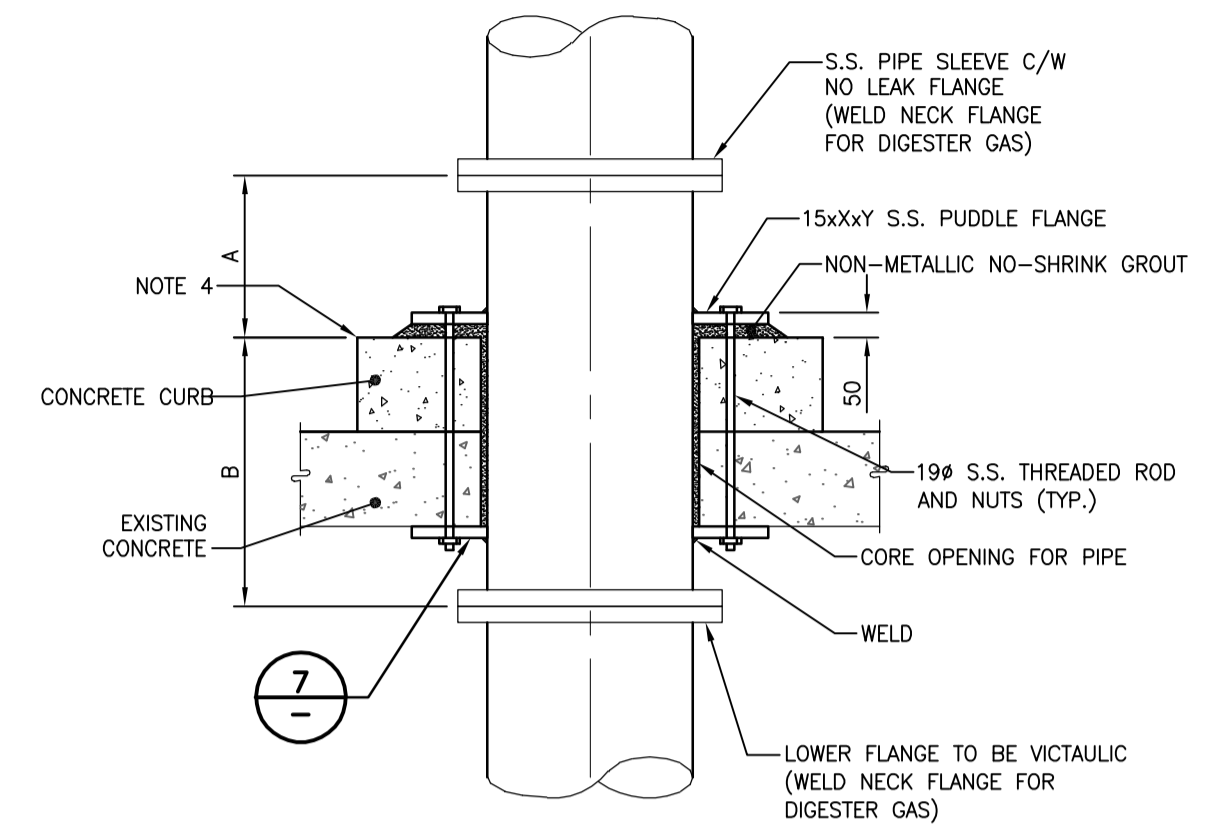


1 DETAIL
1:20
(3 REQ'D)
NOTE: TO BE TYPE 316 STAINLESS STEEL

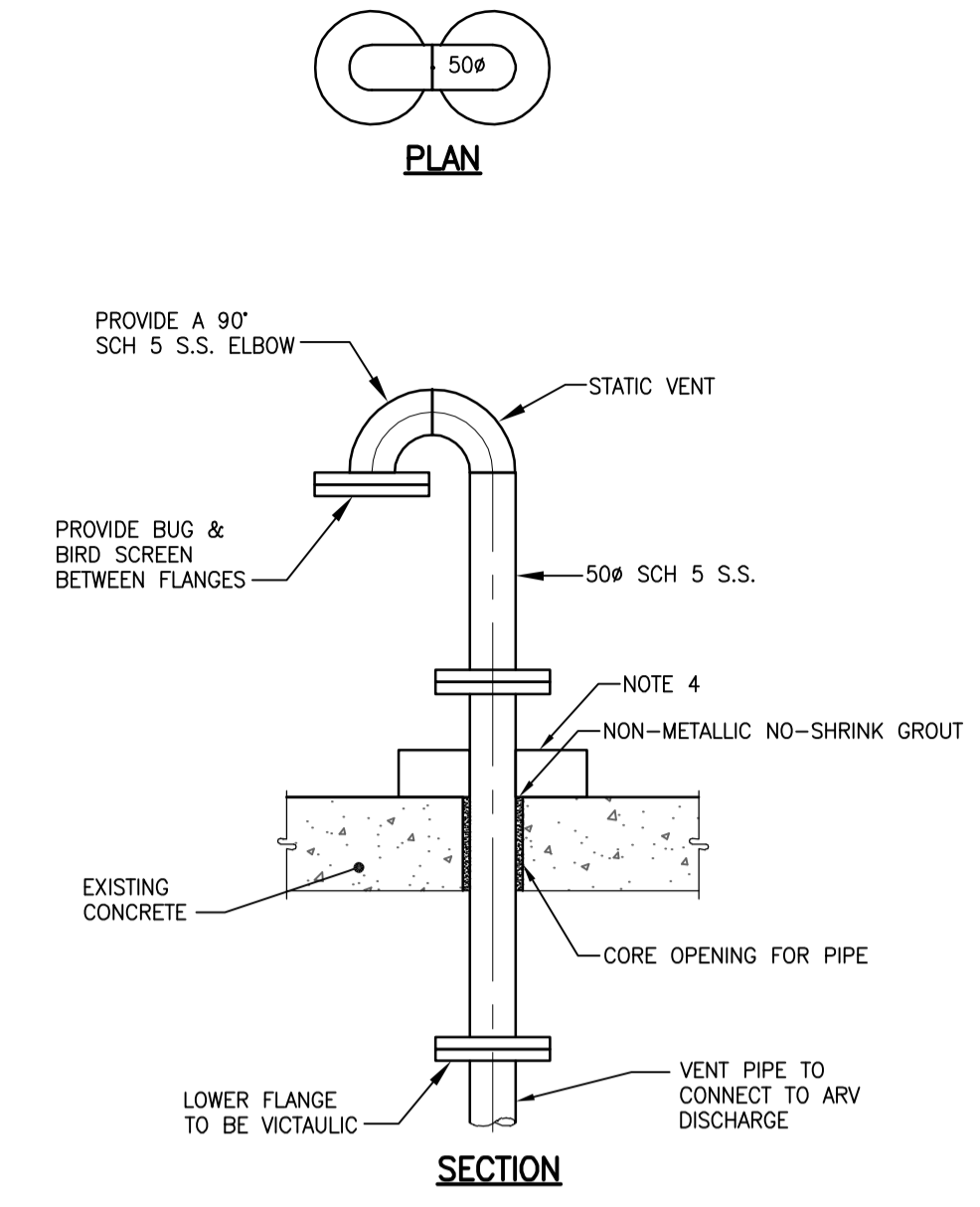


2 DETAIL
N.T.S.
2 REQ'D PER ACCESS, (6 TOTAL)

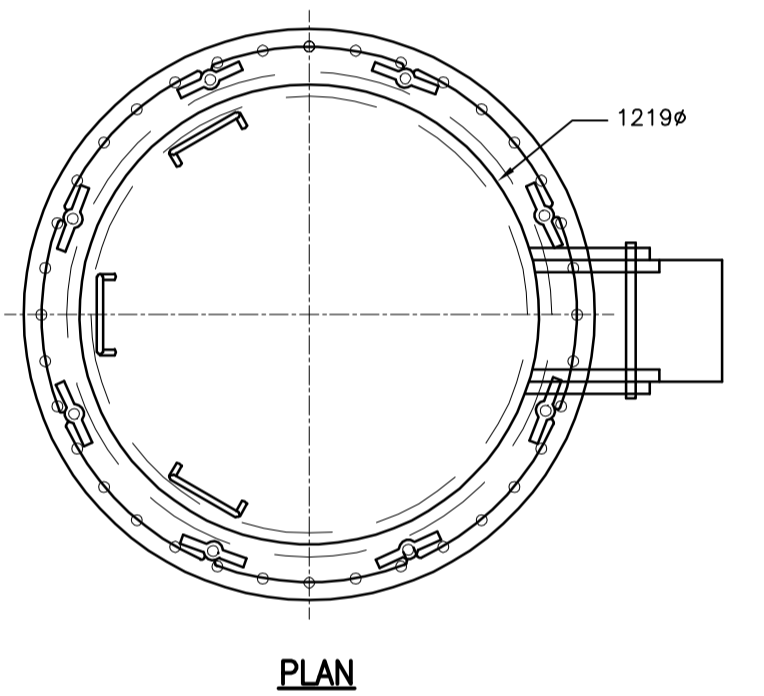
PIPE DESCRIPTION	SIZE	QUANTITY	LENGTH A	LENGTH B	LENGTH X	LENGTH Y
PUMP SUCTION	600#	1	215	500	800	800
PUMP DISCHARGE	500#	1	215	300	700	700
DIGESTER DRAIN	200#	1	215	300	400	400
DIGESTER GAS PIPE	300#	1	300	-	500	500



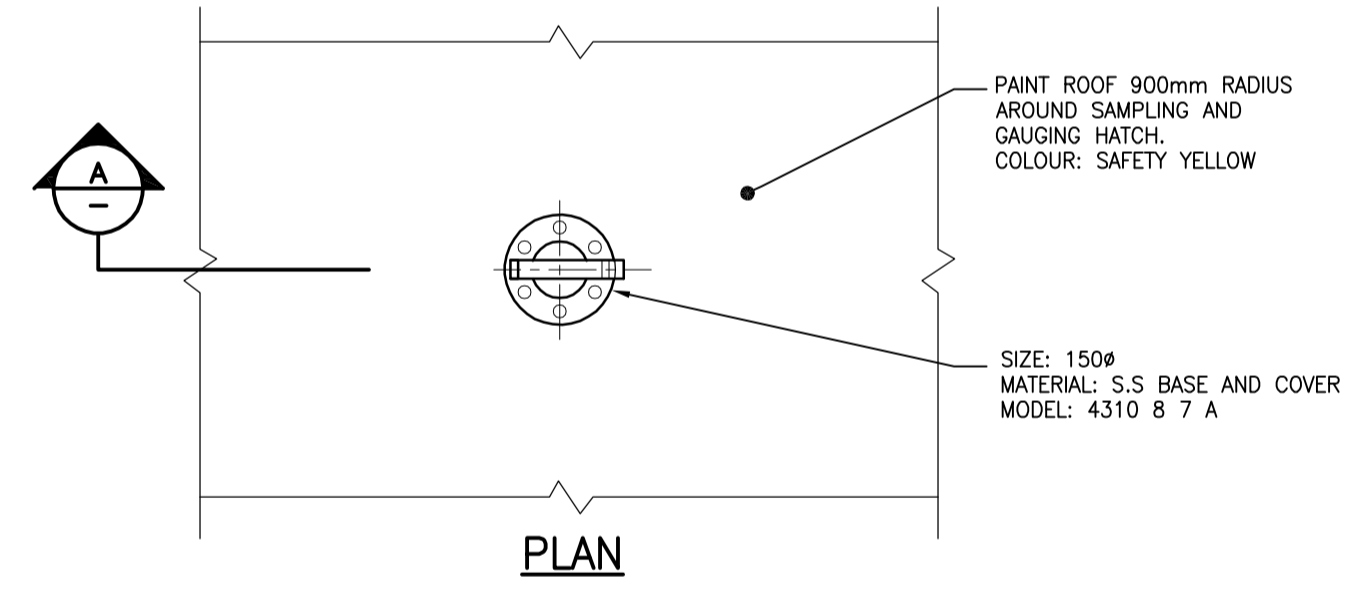
3 DETAIL
N.T.S.
(3 REQ'D)



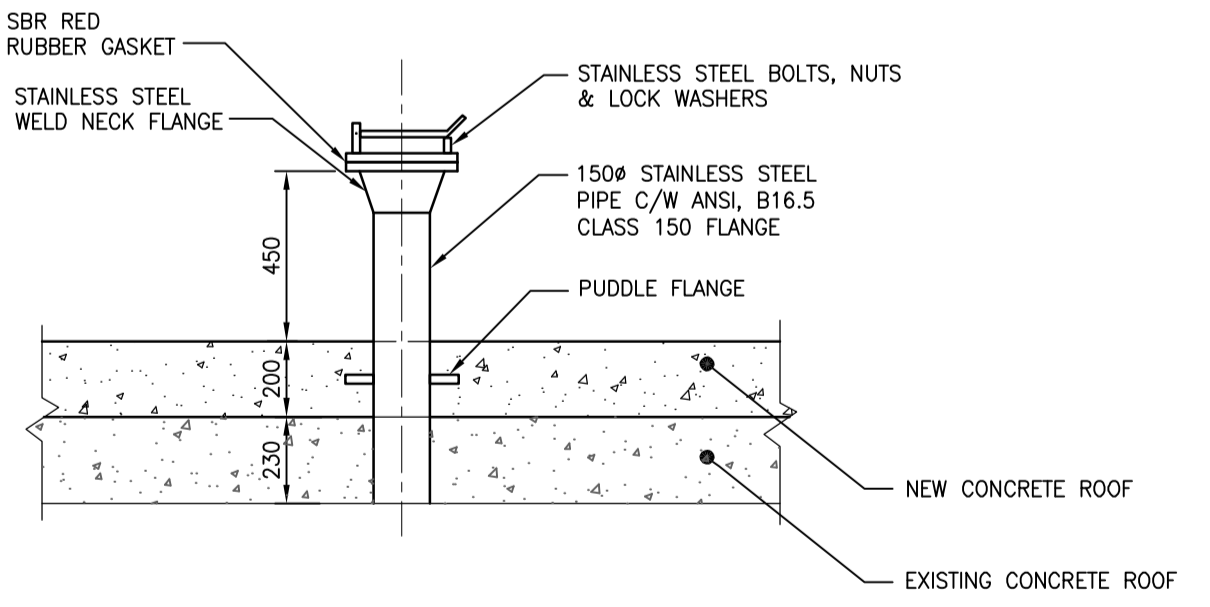
5 DETAIL
N.T.S.
(2 REQ'D)



4 PUDDLE FLANGE DETAIL
1:20



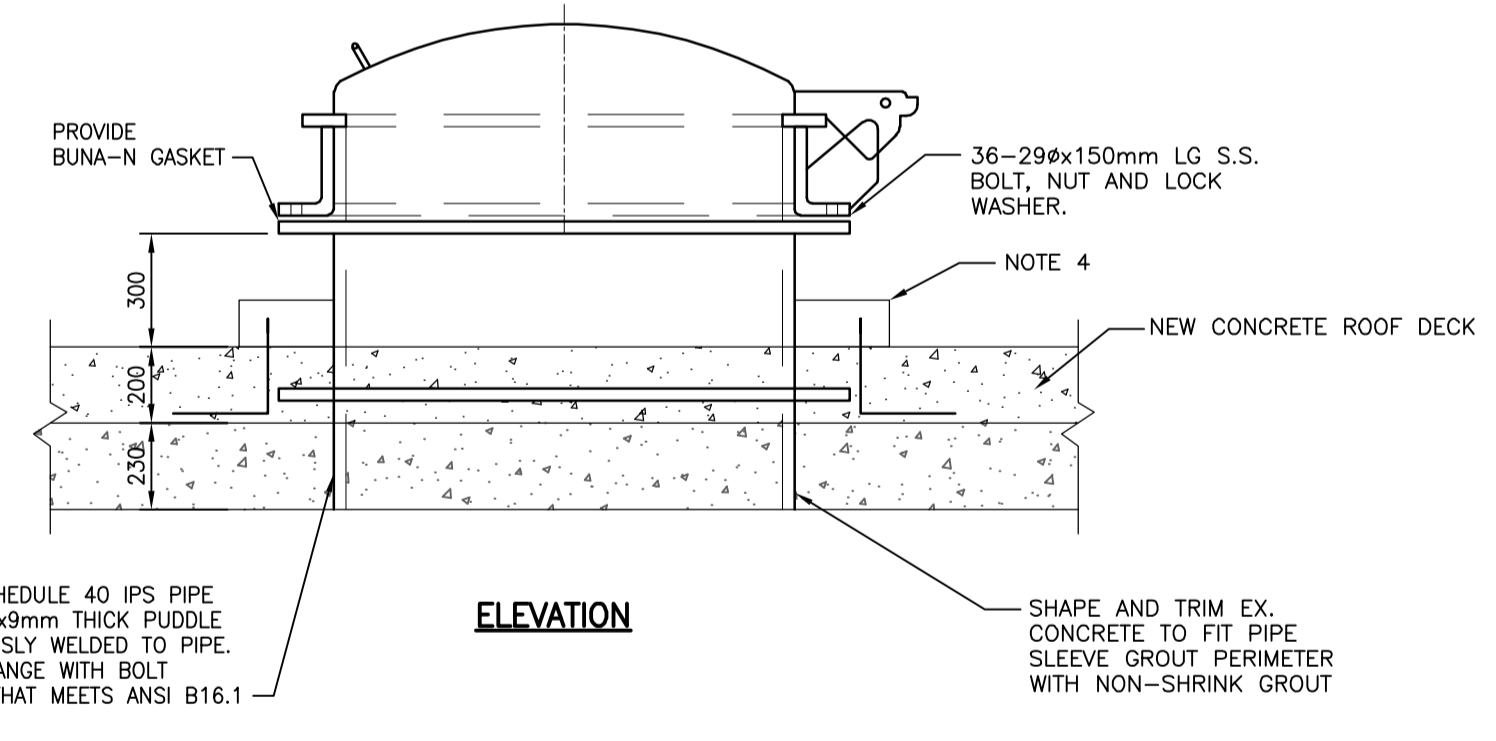
PLAN



SECTION A

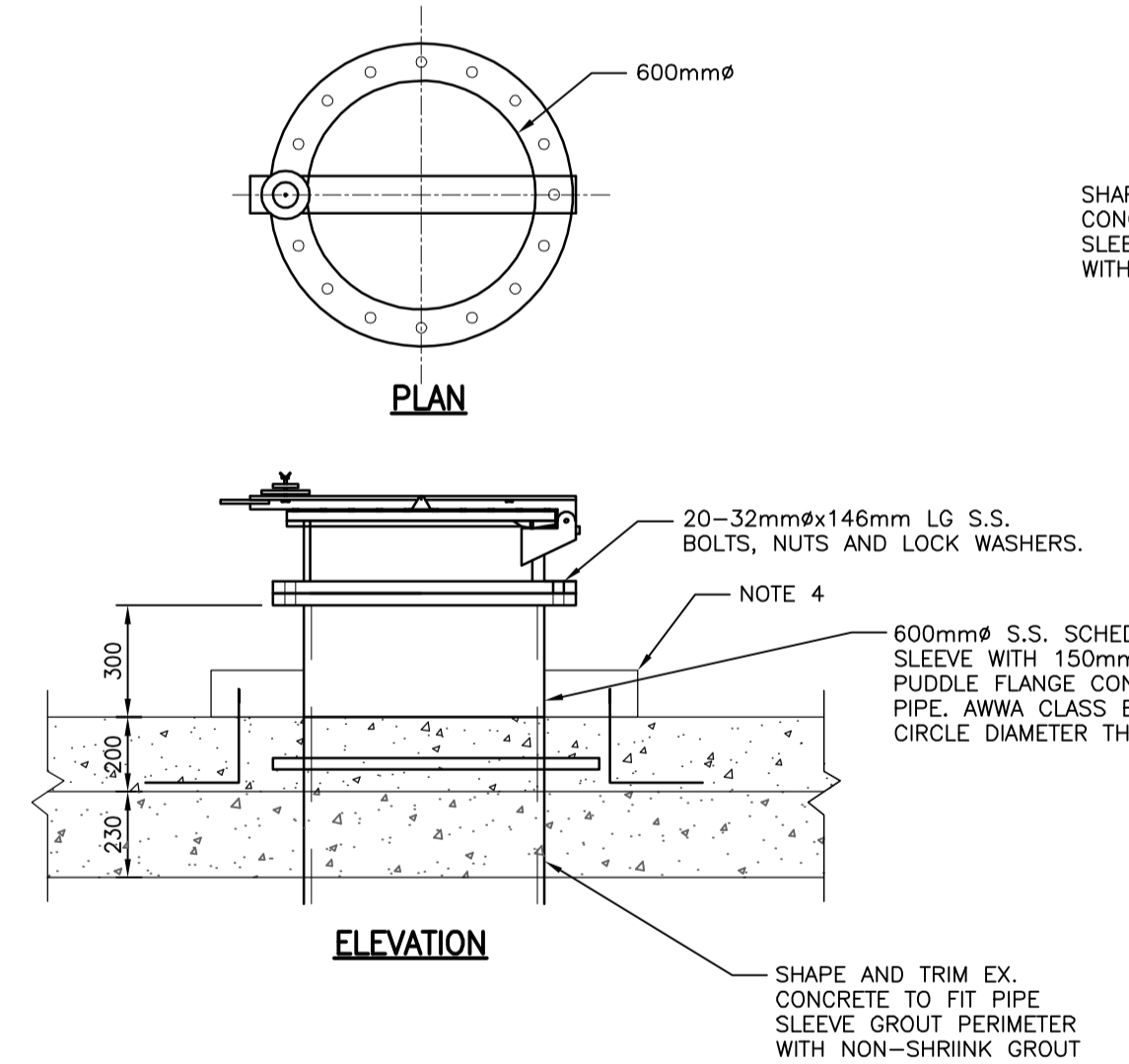
DIGESTER SAMPLING AND GAUGING HATCH COVER

6 DETAIL
1:20



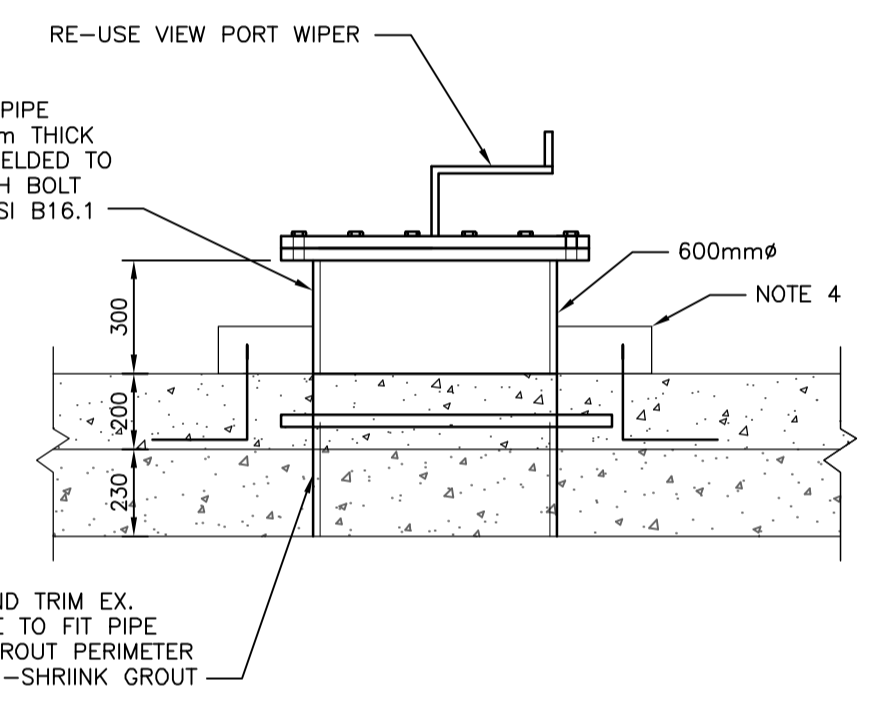
ELEVATION

7 ROOF MANHOLE COVER W/SELF-LOCKING PEDAL DETAIL
1:20



ELEVATION

8 EMERGENCY RELIEF MANHOLE COVER DETAIL
1:20



9 ROOF VIEW PORT DETAIL
1:20

- NOTES**
- ANCHOR BOLTS: STAINLESS STEEL HILT AS NOTED.
 - SUBMIT SHOP DRAWINGS FOR REVIEW PRIOR TO FABRICATION. ALL MISCELLANEOUS METAL IS STAINLESS STEEL UNLESS NOTED OTHERWISE.
 - ALL LADDERS TO BE INSTALLED AFTER ALL CONCRETING AND TANK COATINGS ARE COMPLETE.
 - REFER TO STRUCTURAL DRAWING 1-0101D-S1004-001 FOR CURB DETAILS.



B.M. ELEV.					
DESIGNED BY	A.B.	CHECKED BY	S.A.B.		
DRAWN BY	R.J.H.	APPROVED BY	S.K.B.		
3. ISSUED FOR TENDER	12.11.01	S.K.B.			
2. ISSUED FOR 95% REVIEW	12.09.12	S.K.B.			
1. ISSUED FOR 60% REVIEW	12.07.27	S.K.B.			
NO. REVISIONS	DATE	BY	DATE	12.07.03	

ENGINEER'S SEAL
ORIGINAL SEALED BY
A.H. BEGHIN
P. ENG.
12/10/31
BID OPPORTUNITY NO. 573-2012

THE CITY OF WINNIPEG
WATER AND WASTE DEPARTMENT
Winnipeg
NORTH END WATER POLLUTION CONTROL CENTRE
REHABILITATION OF DIGESTER No. II AND
SLUDGE HOLDING TANK No. 5 AND 7
MISCELLANEOUS MECHANICAL AND METAL DETAILS
CITY DRAWING NUMBER 1-OIOID-MOOIO-001
SHEET 16 OF 29

METRIC
WHOLE NUMBERS INDICATE MILLIMETRES
DECIMALIZED NUMBERS INDICATE METRES

V:\112\pctm\11213020_NEWPCC_Digester_drawing\402_design\sheet_04_process\1-0101D-MOOIO-001.dwg