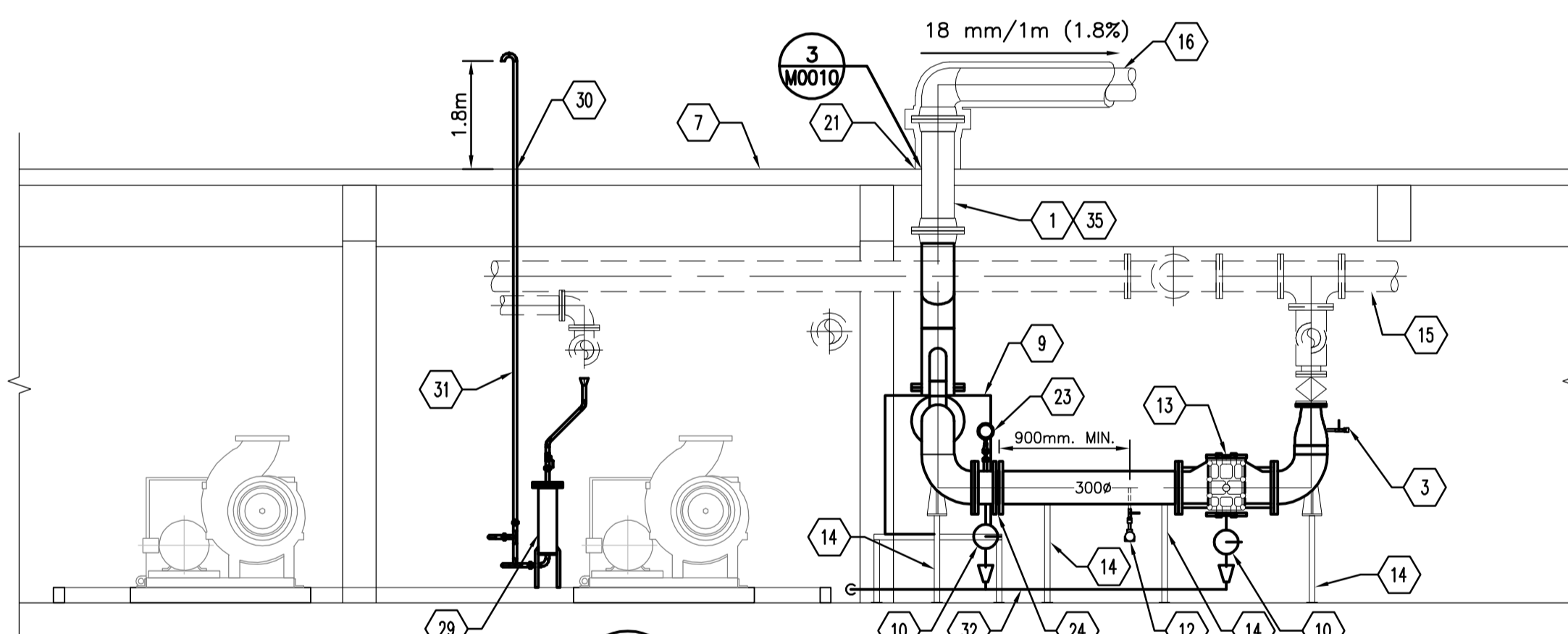
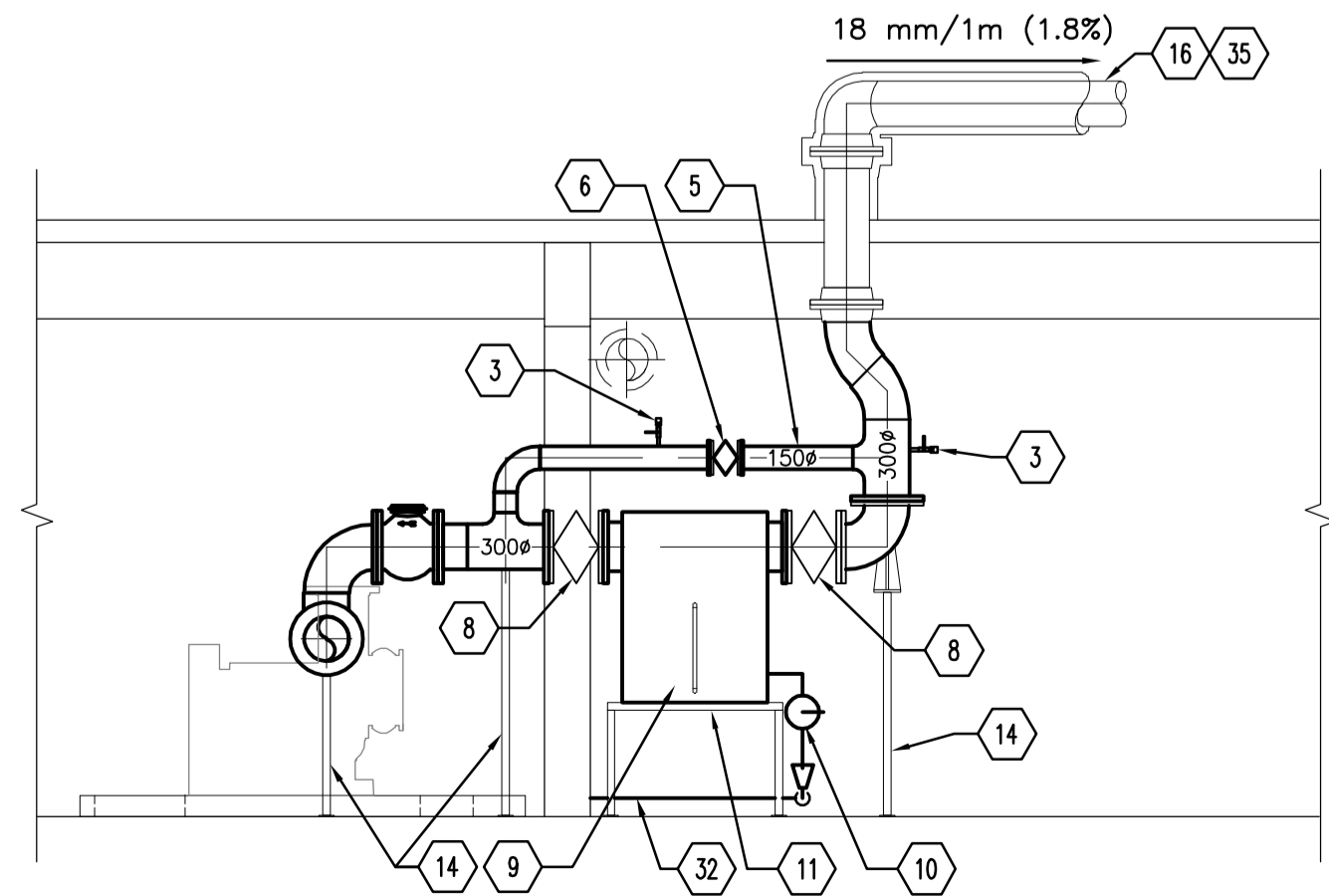


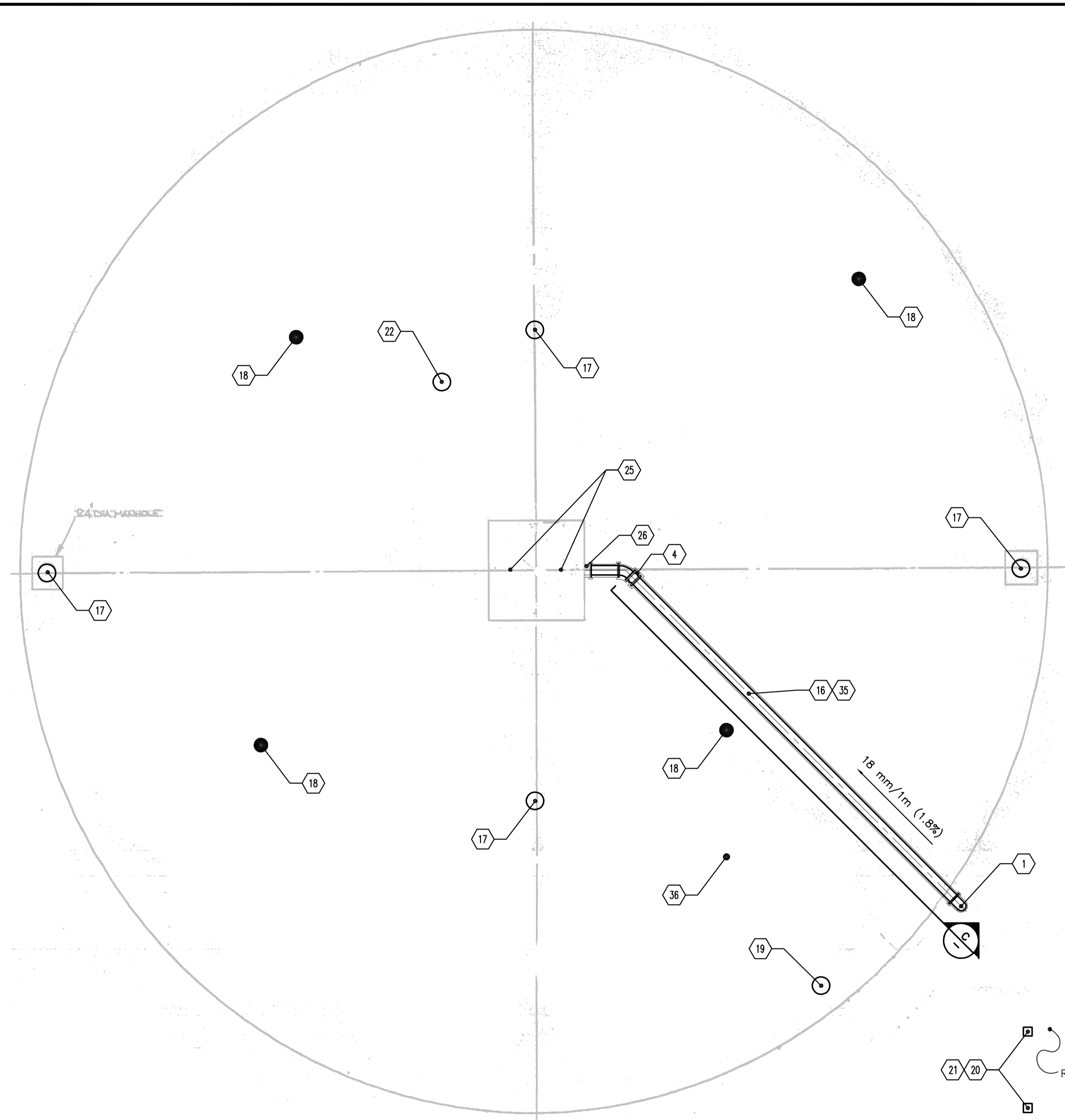
1 BIOGAS PLAN
1:50



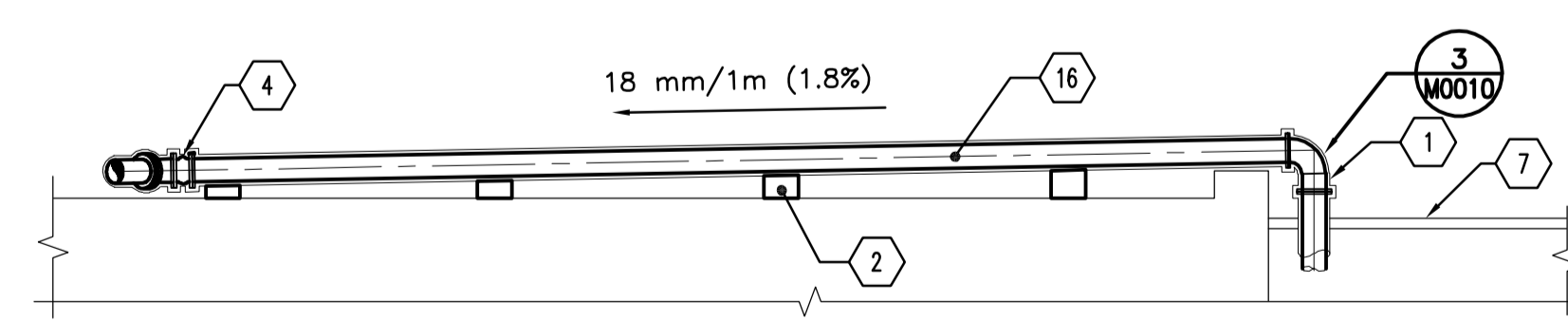
A SECTION
1:50



B SECTION
1:50



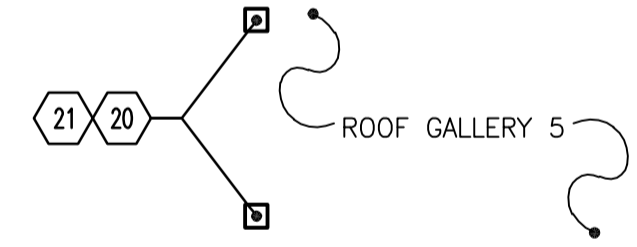
2 ROOF EQUIPMENT PLAN
1:100



C SECTION
1:100

- 1 NEW STAINLESS STEEL 300 MM DIAMETER DIGESTER 11 GAS WITHDRAW PIPE EXTENDING DOWN THROUGH ROOF
- 2 PROVIDE PRESSURE TREATED WOOD PIPE SUPPORTS.
- 3 25 MM TAP FOR GAS PURGING VALVE C/W CAP.
- 4 STAINLESS STEEL BELLOWS EXPANSION JOINT WITH SILICONE SMOOTH BORE LINER.
- 5 PROVIDE 150 MM DIAMETER STAINLESS STEEL CONDENSATE/SEDIMENT TRAP BYPASS PIPE.
- 6 PLUG VALVE - 150 MM DIAMETER
- 7 GALLERY 5 ROOF.
- 8 PLUG VALVE - 300 MM DIAMETER
- 9 CONDENSATE/SEDIMENT TRAP WITH SIGHT GLASS AND MANUAL DRAIN
- 10 MANUAL DRIP TRAP.
- 11 FABRICATE STAINLESS STEEL SUPPORT STAND FOR CONDENSATE/SEDIMENT TRAP.
- 12 19 MM MASS FLOW METER COMPLETE WITH ISOLATION VALVE. TAG NO. D142-FIT
- 13 FLAME ARRESTER - 200 MM DIAMETER.
- 14 STAINLESS STEEL PIPE SUPPORTS.
- 15 EXISTING 250 MM WASTE GAS BURNER PIPE.
- 16 STAINLESS STEEL 300 MM DIAMETER GAS WITHDRAWAL PIPE WITH HEAT TRACING, 50 MM THICK FIBRE GLASS INSULATION, AND ALUMINIUM PROTECTIVE JACKET. PROVIDE PIPE SUPPORTS.
- 17 PROVIDE FOUR (4) 610 MM DIAMETER EMERGENCY PRESSURE RELIEF COVERS. REFER TO DRAWING M0010 FOR DETAILS AND STRUCTURAL DRAWING S0004.
- 18 PROVIDE FOUR (4) 150 MM DIAMETER DIGESTER SAMPLING PORT COVERS. REFER TO DRAWING M0010 FOR DETAILS AND STRUCTURAL DRAWING S0004.
- 19 PROVIDE ONE (1) 1220 MM DIAMETER ACCESS MAN-WAYS. REFER TO DRAWING M0010 FOR DETAILS AND STRUCTURAL DRAWING S0004.
- 20 PROVIDE AND INSTALL TWO (2) DIAMETER STAINLESS STEEL AIR VENTS FOR MIXING PUMPS. COORDINATE LOCATION WITH INSTALLATION OF MIXING PUMPS.
- 21 PROVIDE CURBING AROUND PIPES FOR PITCH POCKET. COVER PITCH POCKET WITH ALUMINIUM.
- 22 REINSTALL ROOF VENT PORT. REFER TO DRAWING M0011 FOR DETAILS AND STRUCTURAL DRAWING S0004.
- 23 PRESSURE GAUGE C/W DIAPHRAGM AND 450 MM ISOLATION VALVE. TAG NO. D142-PG.
- 24 FLOW CONDITIONER.
- 25 REINSTALL EXISTING THREE WAY PLUG VALVE, FLAME ARRESTOR AND PRESSURE/VACUUM RELIEF.
- 26 EXISTING FLANGED 250 MM DIAMETER PIPE PENETRATION AT WALL.
- 27 MANOMETER C/W 12 MM PLUG VALVE, STAINLESS STEEL PIPE AND SS SUPPORT STAND.
- 28 APPROXIMATE LOCATION OF FLOOR DRAIN.
- 29 RELOCATE EXISTING SS DRIP TO UNDERSIDE OF VERTICAL PIPE WITH 25 MM BLIND FLANGE. PROVIDE 25 MM DIAMETER SS PIPE TO DRAIN AND 25 MM DIAMETER SS VENT UP THROUGH ROOF
- 30 USE EXISTING ROOF VENT PENETRATION. SEAL PERIMETER OF PIPE PENETRATION. FIELD CONFIRM LOCATION.
- 31 STAINLESS VENT PIPE ADJUST TO SUIT LOCATION OF ROOF OPENING.
- 32 DRIP DRAIN PIPE. EXTEND DRAIN PIPE TO FLOOR DRAIN. PROVIDE 50 MMØ STAINLESS STEEL TUBING FOR DRAIN CONDENSATE TO THE FLOOR DRAIN. PROVIDE SS FUNNELS AT EACH CONDENSATE COLLECTION POINT.
- 33 EXISTING COMMON SUCTION PIPE.
- 34 EXISTING DISCHARGE PIPE.
- 35 AFTER COMPLETION OF GAS PIPE WORKS, TEST ALL PIPE IN ACCORDANCE WITH CANADIAN STANDARDS ASSOCIATION (CSA) STANDARD CSA B149.6-11 'CODE FOR DIGESTER GAS AND LANDFILL GAS INSTALLATIONS', SECTIONS 11.5.2.
- 36 AFTER COMPLETION OF ALL CONCRETE REPAIR WORKS TO DIGESTER 11, THE DIGESTER IS TO BE PRESSURE/VACUUM TESTED IN ACCORDANCE WITH CANADIAN STANDARDS ASSOCIATION (CSA) STANDARD CSA B149.6-11 'CODE FOR DIGESTER GAS AND LANDFILL GAS INSTALLATIONS', SECTIONS 11.2, 11.3, AND 11.4

SEE STRUCTURAL DWGS FOR DIMENSIONS OF ROOF PENETRATION



METRIC
WHOLE NUMBERS INDICATE MILLIMETRES
DECIMALIZED NUMBERS INDICATE METRES

B.M. ELEV.		Stantec Consulting Ltd. 905 Waverley Street, Winnipeg, Manitoba Tel 204-489-5900 Fax 204-453-9012		ENGINEER'S SEAL	
		DESIGNED BY: A.B.	CHECKED BY: S.A.B.	ORIGINAL SEALED BY A.H. BEGHIN P. ENG. 12/10/31	
		DRAWN BY: K.R.	APPROVED BY: S.K.B.		
3. ISSUED FOR TENDER	12.11.01	S.K.B.	HOR. SCALE: 1:50		BID OPPORTUNITY NO. 573-2012
2. ISSUED FOR 95% REVIEW	12.09.12	S.K.B.	VERTICAL:		
1. ISSUED FOR 60% REVIEW	12.07.27	S.K.B.	RELEASED FOR CONSTRUCTION:		CITY DRAWING NUMBER I-OI0ID-M0005-001
NO. REVISIONS	DATE	BY	DATE	2011.07.17	

THE CITY OF WINNIPEG
WATER AND WASTE DEPARTMENT
NORTH END WATER POLLUTION CONTROL CENTRE
REHABILITATION OF DIGESTER No. II AND
SLUDGE HOLDING TANK No. 5 AND 7
DIGESTER No. II - GAS PIPING PLAN AND SECTIONS

V:\1173\winnipeg\1173\2012_M0005-Digesters\working\02_design\sheet_01.dwg (P:\process\1-01010-M0005-001.dwg)
 2012 October 31, 12:08 pm