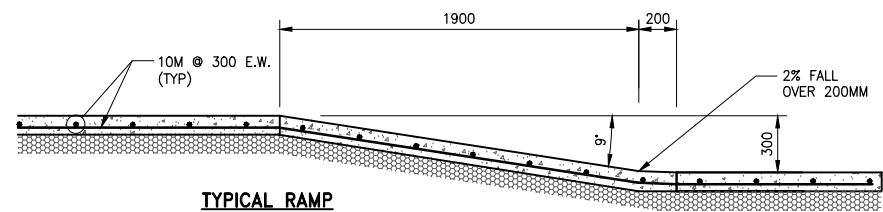
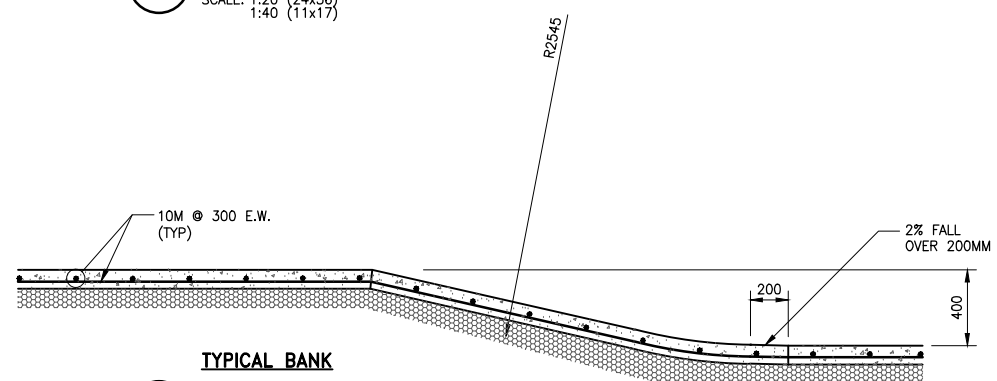


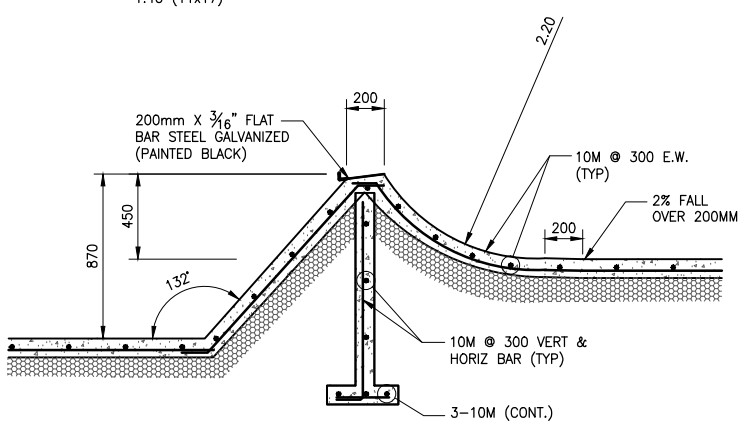
File Name: P:\Projects\2012\12-0109-008\Drawings\Struct\12-0109-008-S04_Rev A.dwg - Tab: S01 Plotted By: ECorrea 12/07/08 [Wed 3:41pm]
 24 x 36 / PLOT SCALE: 1:40



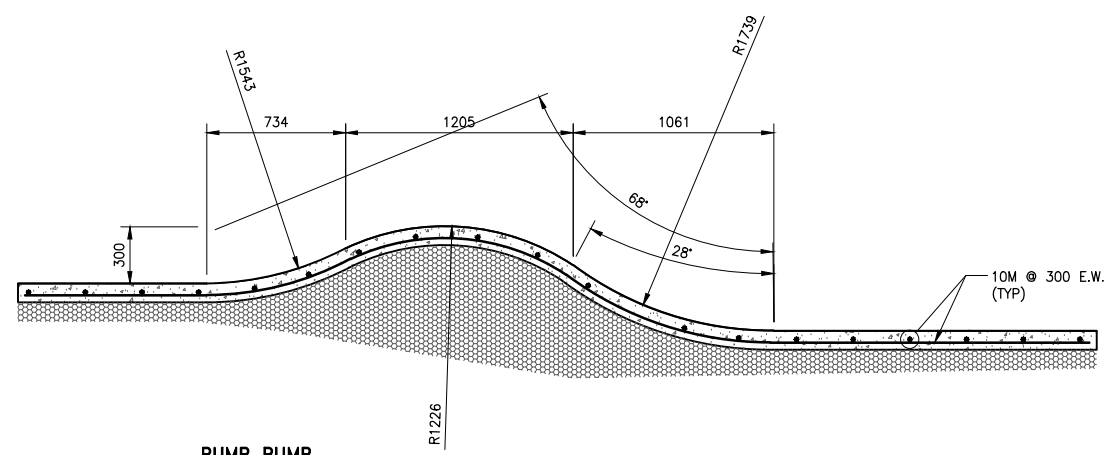
1 TYPICAL RAMP SECTION DETAIL
SCALE: 1:20 (24x36)
1:40 (11x17)



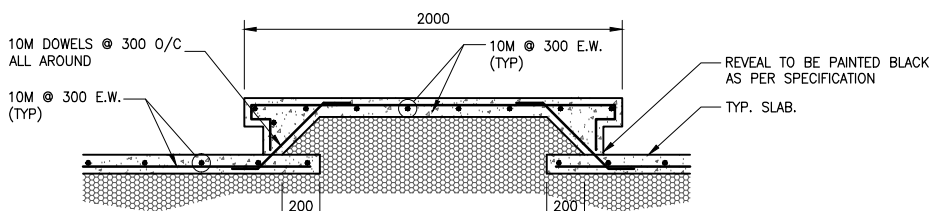
2 TYPICAL BANK SECTION DETAIL
SCALE: 1:20 (24x36)
1:40 (11x17)



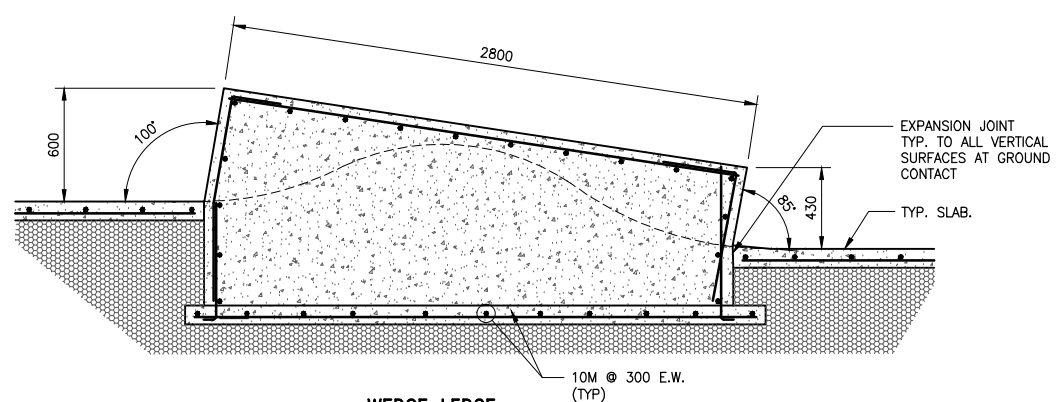
3 TRANSITION TO BANK SECTION DETAIL
SCALE: 1:20 (24x36)
1:40 (11x17)



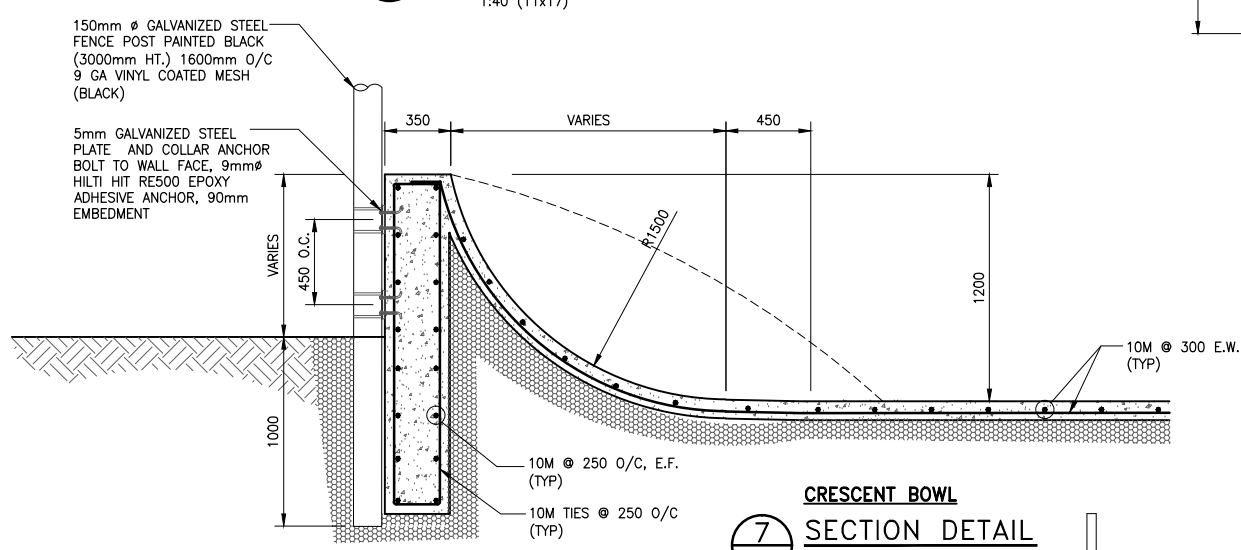
4 PUMP BUMP SECTION DETAIL
SCALE: 1:20 (24x36)
1:40 (11x17)



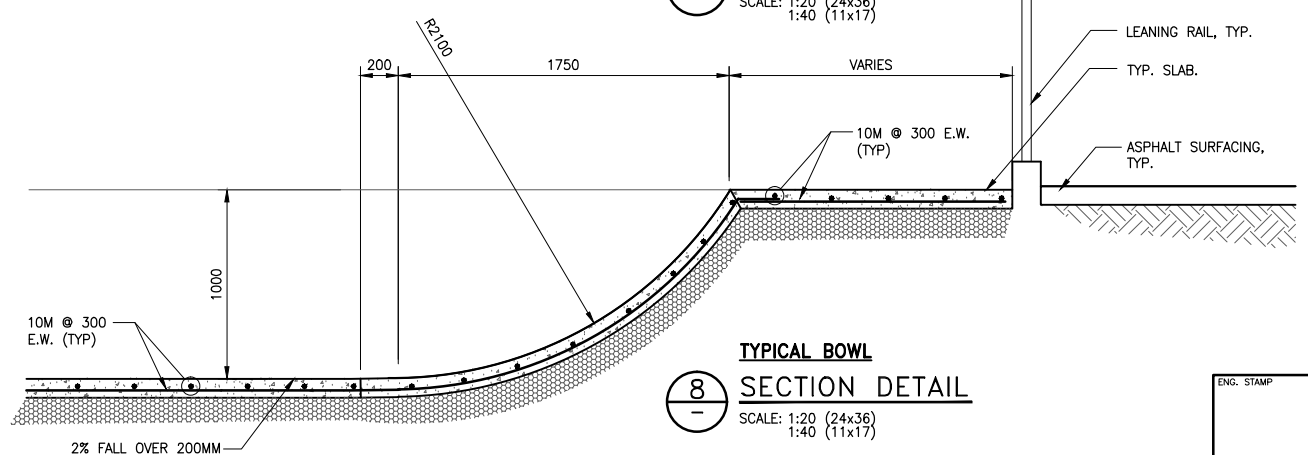
5 TYPICAL MANUAL PAD SECTION DETAIL
SCALE: 1:20 (24x36)
1:40 (11x17)



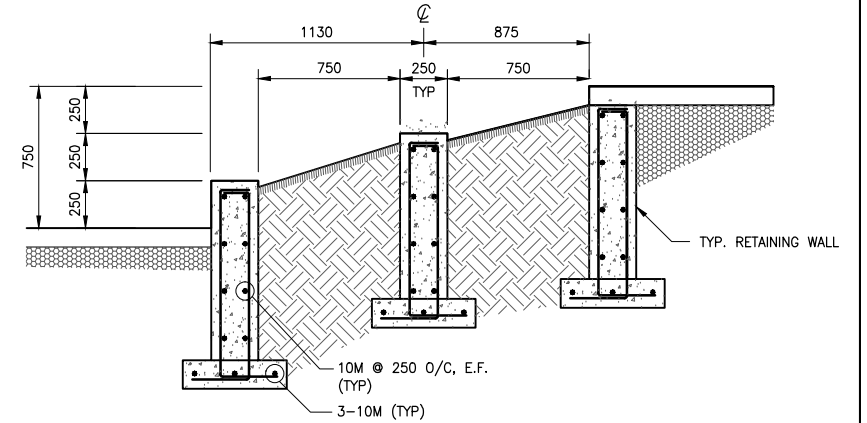
6 WEDGE LEDGE SECTION DETAIL
SCALE: 1:20 (24x36)
1:40 (11x17)



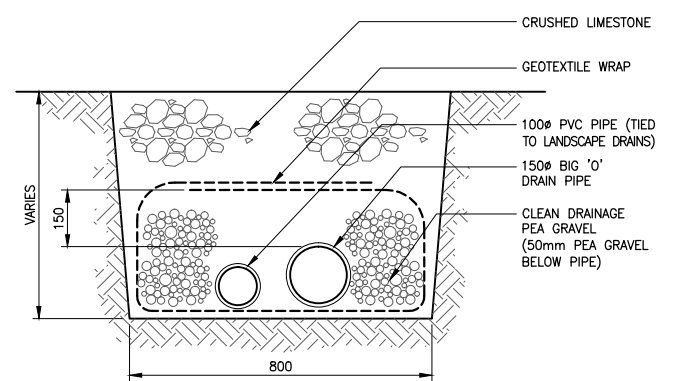
7 CRESCENT BOWL SECTION DETAIL
SCALE: 1:20 (24x36)
1:40 (11x17)



8 TYPICAL BOWL SECTION DETAIL
SCALE: 1:20 (24x36)
1:40 (11x17)



9 BIG 3 GAP SECTION DETAIL
SCALE: 1:20 (24x36)
1:40 (11x17)



NOTE:
- PROVIDE PERFORATED DRAIN PIPE WITH FILTER SOCK
- SLOPE TRENCH 1% TO SEWER CONNECTION

10 TYPICAL TRENCH SECTION DETAIL
SCALE: 1:10 (24x36)
1:20 (11x17)

PRELIMINARY
NOT TO BE USED FOR CONSTRUCTION

| | | |
|---|-----------------|----------------|
| A 12/07/?? ISSUED FOR REVIEW | | |
| NO. | YY/MM/DD | DESCRIPTION |
| REVISIONS / ISSUE | | |
| CLIENT: SCATLIFF+MILLER+MURRAY | | |
| PROJECT: KEVIN RECREATION SITE B.P.C.C. | | |
| DWG. DESCRIPTION: STRUCTURAL REPRESENTATIVE BACKFILL AND REINFORCING DETAIL | | |
| DESIGN BY: | CC | DATE: 12/07/12 |
| DESIGN CHECK: | | DATE: |
| DRAWN BY: | EDC | DATE: 12/07/12 |
| DWG CHECK: | | DATE: |
| DWG. NO. | 12-0109-008 S04 | REV: A |