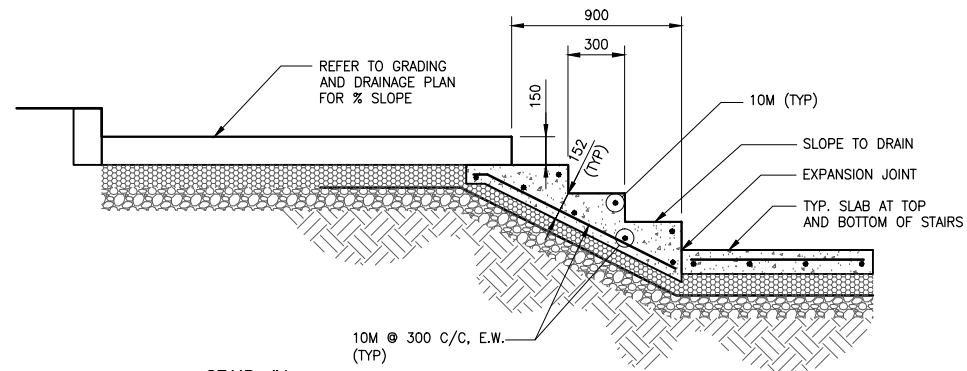
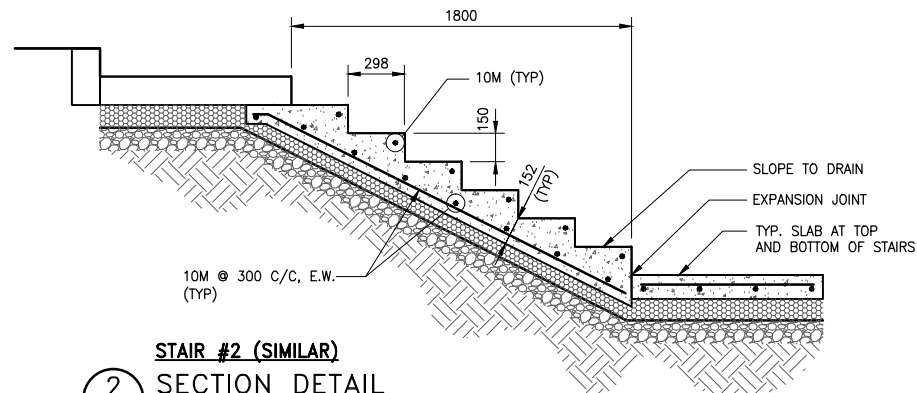


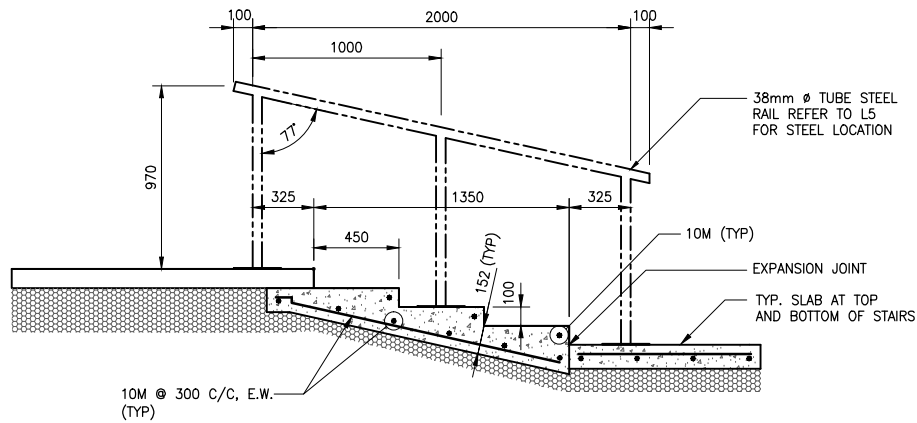
File Name: F:\Projects\2012\12-0109-008\S03\_Rev A.dwg - Tab: S01 Plotted By: ECorrea 12/08/08 [Wed 3:42pm]  
 24 x 36 / Plot Scale: 1:40



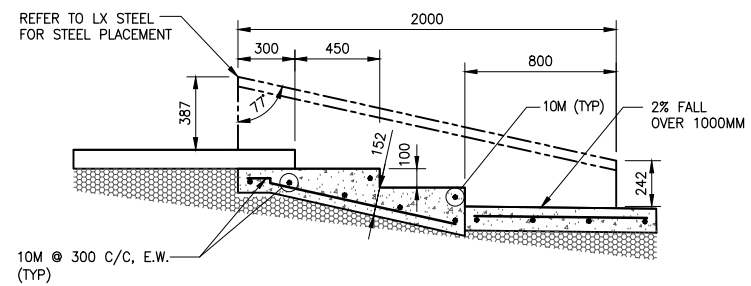
**1 SECTION DETAIL**  
 SCALE: 1:20 (24x36)  
 1:40 (11x17)



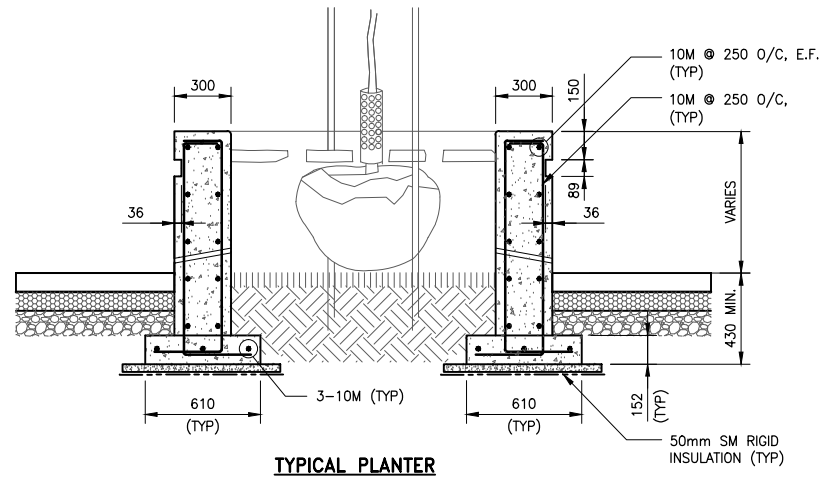
**2 SECTION DETAIL**  
 SCALE: 1:20 (24x36)  
 1:40 (11x17)



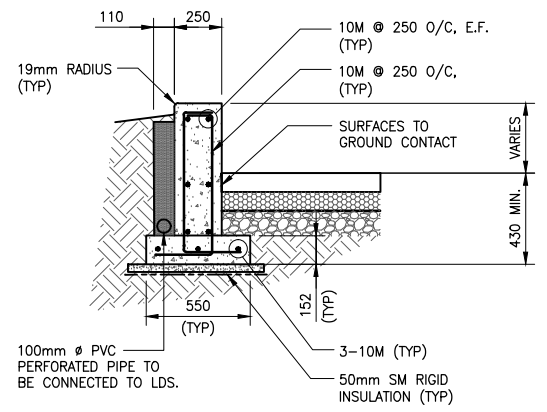
**3 SECTION DETAIL**  
 SCALE: 1:20 (24x36)  
 1:40 (11x17)



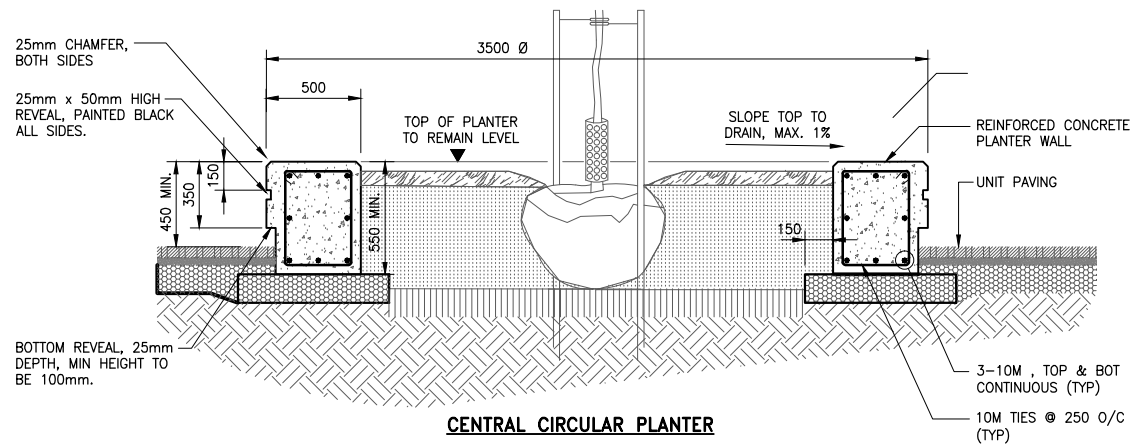
**4 SECTION DETAIL**  
 SCALE: 1:20 (24x36)  
 1:40 (11x17)



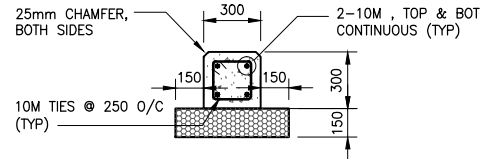
**5 SECTION DETAIL**  
 SCALE: 1:20 (24x36)  
 1:40 (11x17)



**6 SECTION DETAIL**  
 SCALE: 1:20 (24x36)  
 1:40 (11x17)



**7 SECTION DETAIL**  
 SCALE: 1:20 (24x36)  
 1:40 (11x17)



**8 SECTION DETAIL**  
 SCALE: 1:20 (24x36)  
 1:40 (11x17)

- CONSTRUCTION SEQUENCE:**
- EXCAVATE TO SPECIFIED GRADES AND PROOF-ROLL SUB-GRADE.
  - PLACE AND COMPACT SUB-BASE, INSTALL SUBSURFACE DRAIN LINE AS SUB-BASE IS PLACED (REF. DRWG SK-005).
  - PLACE AND COMPACT GRANULAR BASE, POUR FOOTING FOUNDATIONS (REF. DRWG SK-006).
  - POUR WALLS ON FOOTINGS (REF. DRWG SK-007).
  - POUR BANK PANELS, STEPS AND TRANSITIONS.
  - POUR FLOOR SLABS.

- REINFORCING STEEL:**
- REINFORCING STEEL TO BE NEW DEFORMED BILLET STEEL BARS CONFORMING TO CAN/CSA G30.18-M92. GRADES TO BE: 400 MPa FOR 15M BARS AND LARGER; 300 MPa FOR 10M BARS.
  - SUBMIT SHOP DRAWINGS WHICH CLEARLY INDICATE BAR SIZES, SPACINGS, LOCATIONS & QUANTITIES OF REINFORCING STEEL, BENDING & CUTTING SCHEDULES, SUPPORTING & SPACING DEVICES, ETC. FOR REVIEW PRIOR TO FABRICATION. DETAIL, FABRICATE AND PLACE REINFORCING IN ACCORDANCE WITH CSA A23.1, CSA A23.3 AND ACI 315-80 "MANUAL OF STANDARD PRACTICE FOR DETAILING REINFORCED CONCRETE STRUCTURES" EXCEPT AS NOTED. LAP STEEL 36 BAR DIAMETERS (MINIMUM) UNLESS NOTED OTHERWISE.
  - REINFORCING STEEL SHALL BE CLEAN, FREE OF RUST, DIRT, LOOSE SCALE, OIL, GREASE OR ANY OTHER MATERIAL WHICH WOULD REDUCE BOND WITH THE CONCRETE.
  - TIE, SUPPORT AND SPACE ALL REINFORCING STEEL WITH PROPER APPROVED DEVICES DESIGNED FOR USE IN REINFORCED CONCRETE, TO PREVENT DISPLACEMENT OF REINFORCING AND ENSURE SPECIFIED CONCRETE COVER.

- CONCRETE:**
- CONCRETE MATERIALS AND WORKMANSHIP SHALL BE IN ACCORDANCE WITH CAN/CSA-A23.1/ A23.2 (LATEST). SEE BELOW FOR MIX REQUIREMENTS.
  - CONCRETE MATERIALS, FORMING, PLACING, FORM REMOVAL, REINFORCING, ETC. TO ACI RECOMMENDATIONS AND ACCEPTABLE PRACTICE.
  - MIX WATER SHALL BE POTABLE. CALCIUM CHLORIDE SHALL NOT BE USED.
  - SECTIONS SHOWN ON THIS DRWG PROVIDE TYPICAL DETAILS FOR PLACING REINFORCING STEEL.
  - REF. DRWG L5.1 FOR LOCATION AND DETAILS FOR EXPANSION JOINTS, COLD JOINTS AND SAWCUTS.
  - ALL CONCRETE SHALL BE CURED A MINIMUM OF 72 HOURS WITH WET BURLAP AT TEMPERATURES  $\geq 10^{\circ}\text{C}$  TO ATTAIN A MINIMUM 50% OF THE SPECIFIED STRENGTH.
  - CONCRETE MIX DESIGN SHALL BE PROPORTIONED AS FOLLOWS:
- |                     |                       |                     |
|---------------------|-----------------------|---------------------|
| SLAB AND STIFFENERS | 28 DAY COMP. STRENGTH | 30 MPa              |
|                     | CEMENT                | TYPE GU             |
|                     | W/C RATIO             | 0.50                |
|                     | AGGREGATE SIZE (MAX.) | 20mm                |
|                     | ENTRAINED AIR         | 5% - 8%             |
|                     | SLUMP (MAX.)          | 90mm ( $\pm 10$ mm) |

A 12/07/?? ISSUED FOR REVIEW		
NO.	YY/MM/DD	DESCRIPTION
REVISIONS / ISSUE		
CLIENT:		
PROJECT:		
KEVIN RECREATION SITE B.P.C.C.		
DWG. DESCRIPTION:		
STRUCTURAL REPRESENTATIVE BACKFILL AND REINFORCING DETAIL		
DESIGN BY:	CC	DATE (YY/MM/DD): 12/07/12
DESIGN CHECK:		DATE:
DRAWN BY:	EDC	DATE: 12/07/12
DWG CHECK:		DATE:
DWG. NO.	12-0109-00X S03	REV: A

**PRELIMINARY**  
 NOT TO BE USED FOR CONSTRUCTION