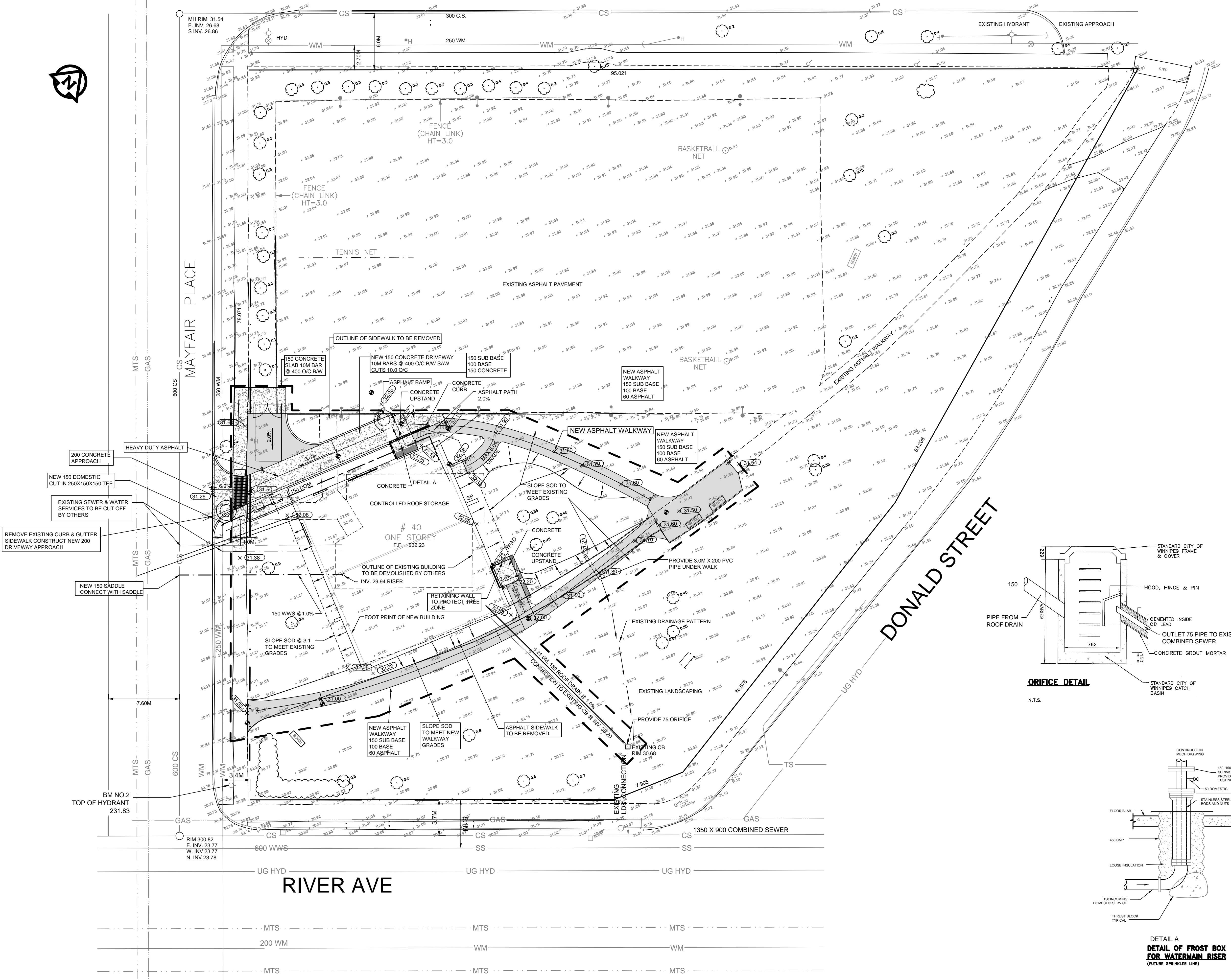


MAYFAIR PLACE



1.0 CONSTRUCTION NOTES

- ALL CONSTRUCTION TO CONFORM WITH APPROPRIATE CITY OF WINNIPEG CONSTRUCTION SPECIFICATIONS.
- CONTRACTOR TO OBTAIN ALL PERMITS.
- CONTRACTOR TO OBTAIN UTILITY CLEARANCES BEFORE EXCAVATING.
- AUGER UNDER STREET PAVEMENT.
- BACKFILL ALL TRENCHES IN PARKING LOTS WITH GRANULAR MATERIALS.
- BACKFILL IN LANDSCAPED AREAS TO BE CLASS 5.
- CONFIRM ALL DIMENSIONS BEFORE STARTING.
- MATERIALS
WWS AND LDS: SDR-35 OR EQUAL
WM: C-900
CATCH BASINS: NOT APPLICABLE

2.0 DRAINAGE DESIGN NOTES

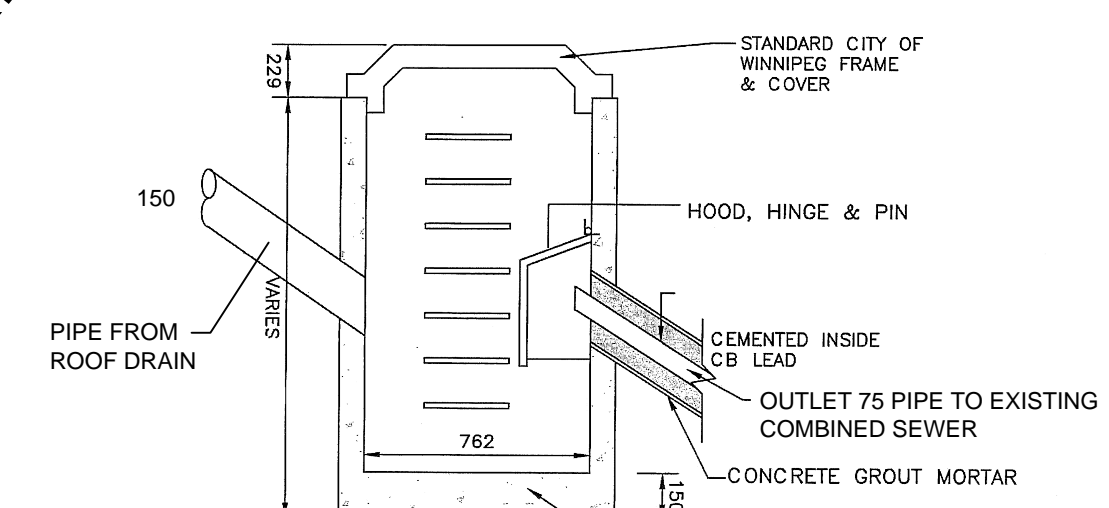
- RATIONAL FORMULA WAS USED.
Q = CIA FOR 5 YEAR STORM $I = \frac{47.2}{(t+8)^{0.28}}$
t = 10 MINUTES
i = 4.31 in/hr
A = 1.36 AC
- Q = CIA FOR 25 YEAR STORM $I = \frac{72.5}{(t+9)^{0.42}}$
t = 10 MINUTES
i = 6.08 in/hr
A = 1.36 AC
- MAXIMUM ALLOWABLE RUNOFF COEFFICIENT: C = 0.40
- CALCULATED RUNOFF COEFFICIENT IS C=0.47 (REFER TO RUNOFF CALCULATION TABLE). ORIFICE SIZE REQUIRED 75 IN DIAMETER.
- MAXIMUM ALLOWABLE RUNOFF FOR 5 YEAR STORM IS 2.34 CFS.
- MAXIMUM ALLOWABLE RUNOFF FOR 25 YEAR STORM IS 3.30 CFS.
- ALL SUBCATCHMENT BASINS ARE CALCULATED TO CONTAIN A 25 YEAR STORM.
REQUIRED STORAGE 4000 cu.ft.
AVAILABLE STORAGE _____ cu.ft.
- RUNOFF COEFFICIENT TABLE

SURFACE	AREA	C	FRACTION
ROOF	0.086 AC	0.90	0.053
PAVEMENT	0.543 AC	0.90	0.359
LANDSCAPING	0.737 AC	0.10	0.054
	1.36 AC		0.466

AVERAGE WEIGHTED C = 0.47 (ROUND OFF)

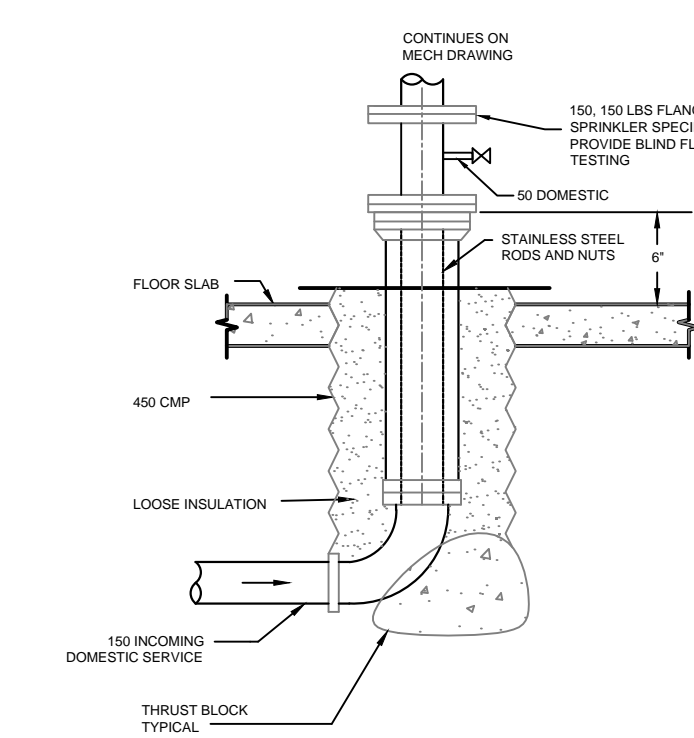
3.0 MISCELLANEOUS NOTES

- TOPOGRAPHIC SURVEY BY PHILLIPS & STEVENS MLS
- EXISTING UTILITY INFORMATION COMPILED FROM GEOMATIC DRAWING & P & S DRAWING
- GEODETIC BENCH MARK 53-05 ELEVATION 231.707 METRES
- SECONDARY BENCH MARK TOP OF HYDRANT ELEVATION 231.83 METRES
- SEE PHILLIPS & STEVENS DRAWING FOR LEGAL PLAN



ORIFICE DETAIL

N.T.S.



DETAIL A
DETAIL OF FROST BOX
FOR WATERMAIN RISER
(FUTURE SPRINKLER LINE)

EXISTING	LEGEND-PLAN	PROPOSED
MTS	TRAFFIC SIGNALS	
50 GAS	WATERMAIN	
150 mm W.M.	HYDRANT	
	VALVE	
300 mm L.D.S.	LAND DRAINAGE SEWER	
250 mm W.W.S.	WASTE WATER SEWER	
	MANHOLE	
	CATCH BASIN	
	CURB INLET	
	JUNCTIONS	
	CULVERT	
	PROPERTY LINE	
	SURVEY BAR	
	SERVICE VALVE	
	SIDEWALK RAMP	
	RIDGE	
30.37	ELEVATION	
	DRAINAGE FLOW	
	LEGEND-PLAN	PROPOSED

SCALE: 1:200

MEC CONSULTING
14-386 BERRY STREET
WINNIPEG, MANITOBA
R3J 1W6

Tel: (204) 783-0757
Fax: (204) 774-3778

DRN CDS APP WPM MEC DWS No. 12187C 0
CHK WPM DATE 03/06/2013