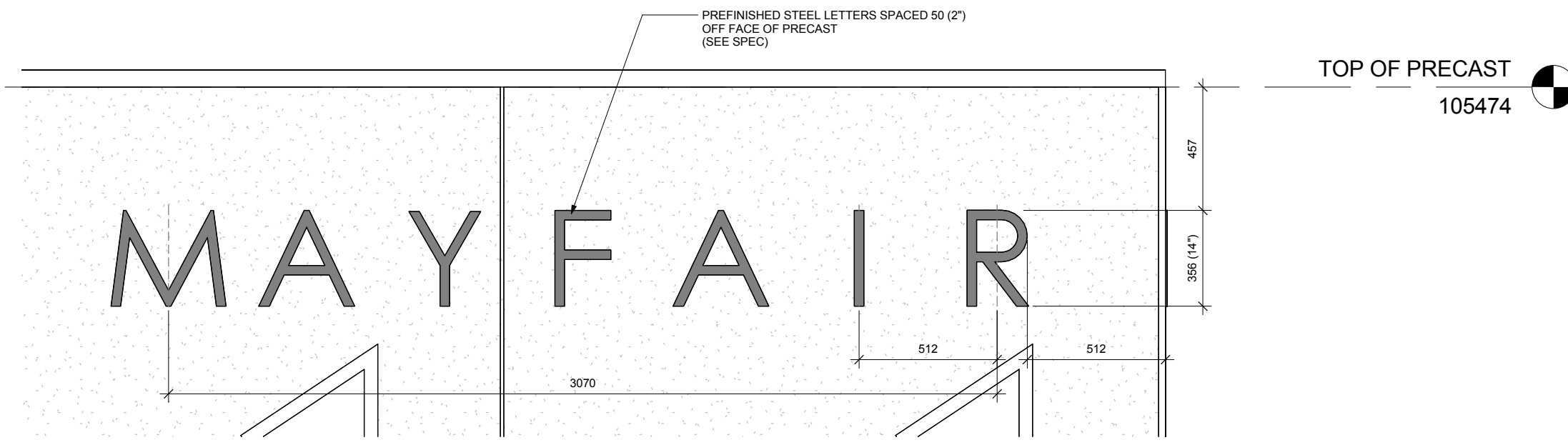
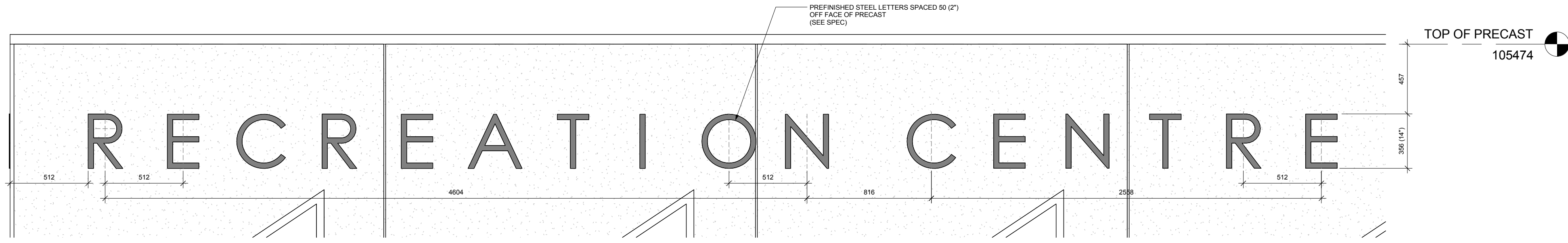


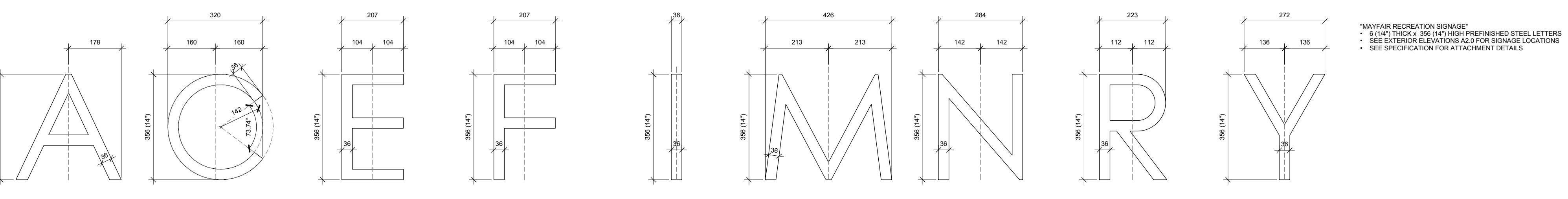
1 SIGNAGE AT EAST ELEVATION  
1:20



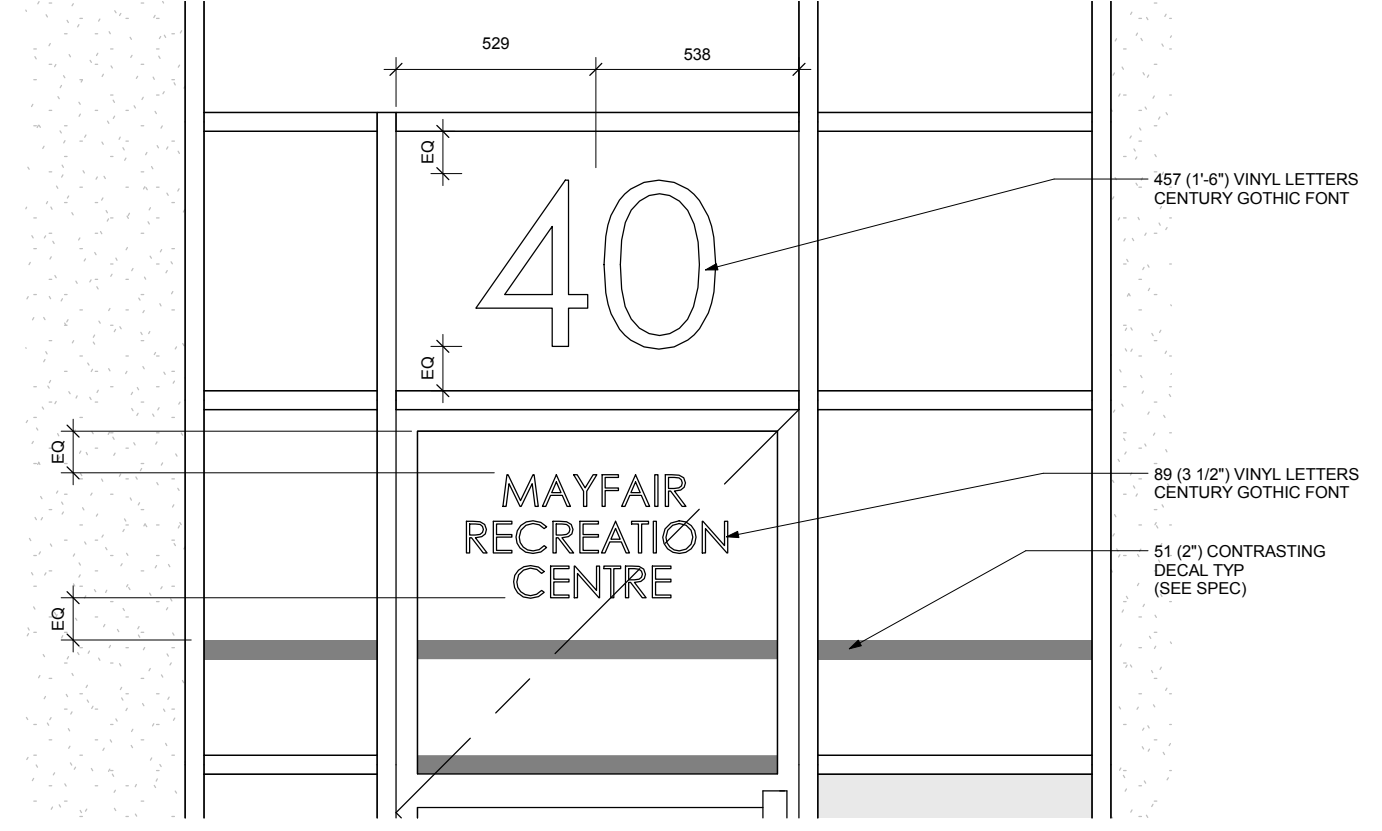
2 SIGNAGE AT WEST ELEVATION  
1:20



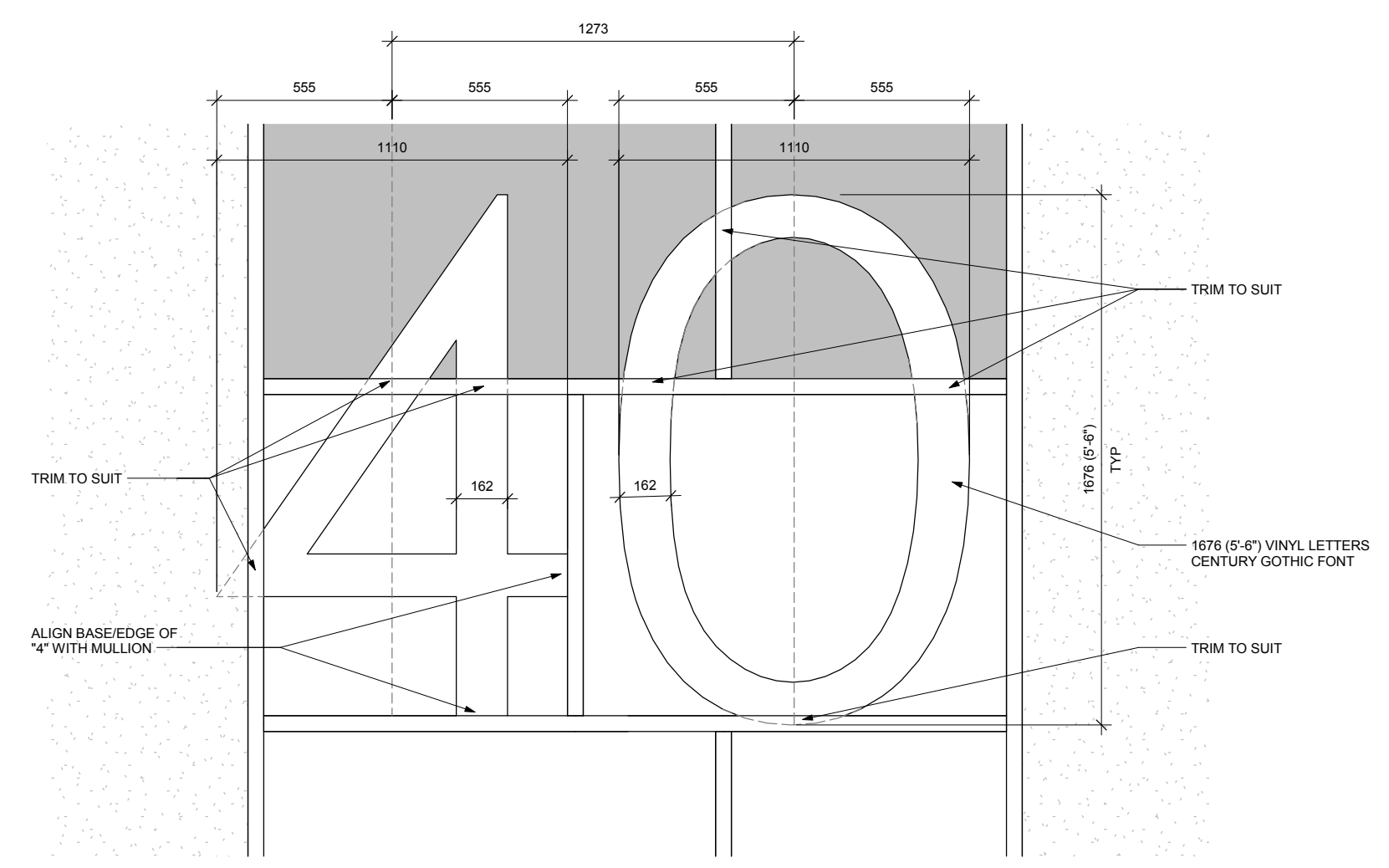
3 SIGNAGE AT SOUTH ELEVATION  
1:20



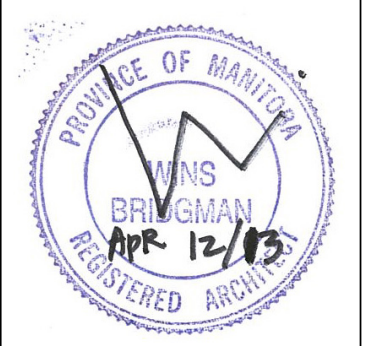
4 SIGNAGE LETTERS  
1:10



6 WINDOW SIGNAGE AT NORTH ELEVATION  
1:20



5 WINDOW SIGNAGE AT WEST ELEVATION  
1:20



Project:  
MAYFAIR RECREATION CENTRE  
40 MAYFAIR PLACE  
Project Number: 2011-112  
Bid Opportunity Number: 556-2012  
Drawing Title:  
SIGNAGE DETAILS

#	Issue/Revision	Date
1	66% REVIEW	AUG 16 2012
2	66% REISSUE REVIEW	NOV 28 2012
3	99% REVIEW	MAR 6 2013
4	ISSUED FOR TENDER	APR 12 2013

Sheet No: **A6.4**

This drawing is property of the Architect and cannot be reproduced or used without the consent of the Architect. The contractor is responsible for checking and verifying all levels and dimensions and shall report all discrepancies to the Architect and obtain clarification prior to commencing work.