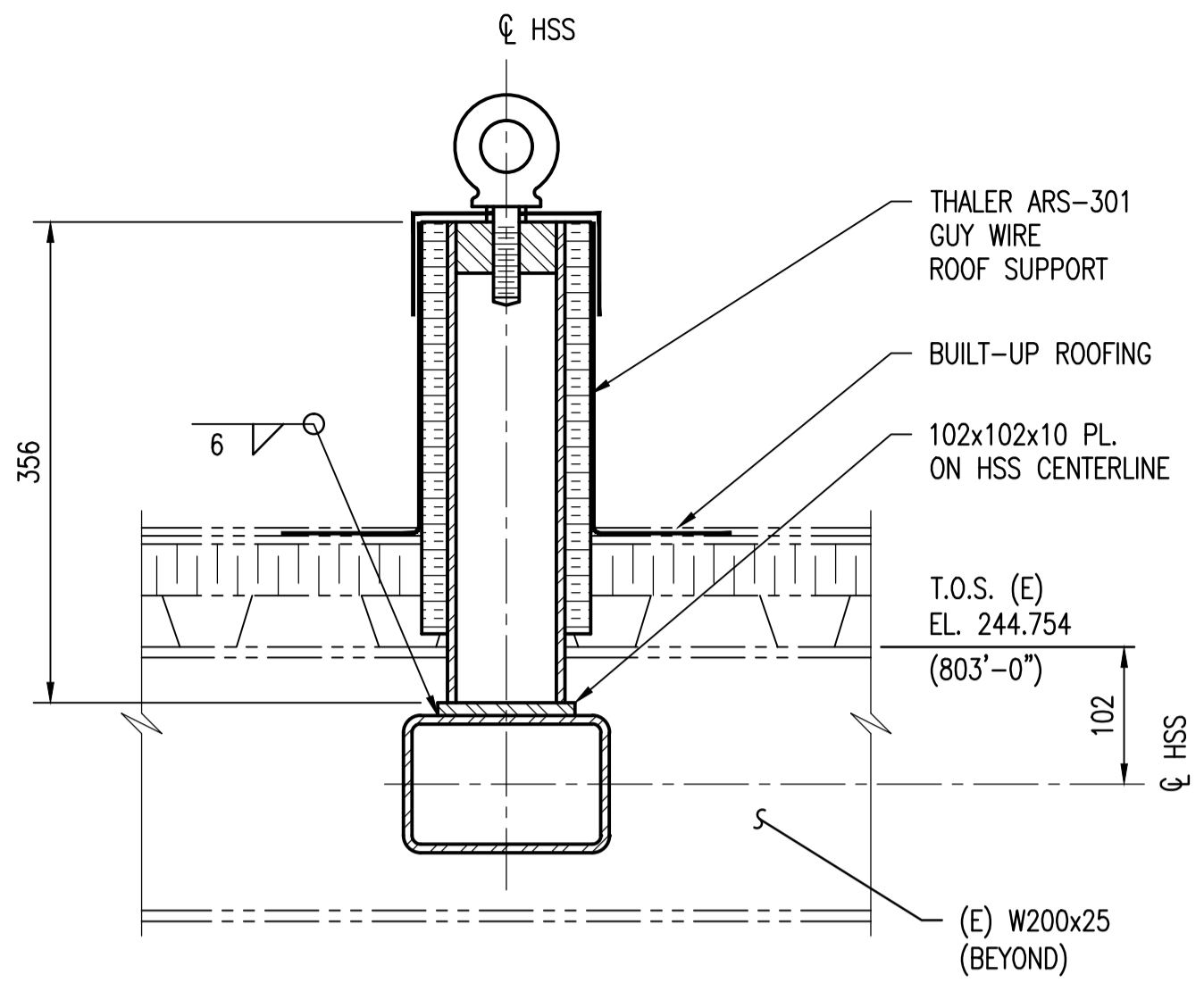


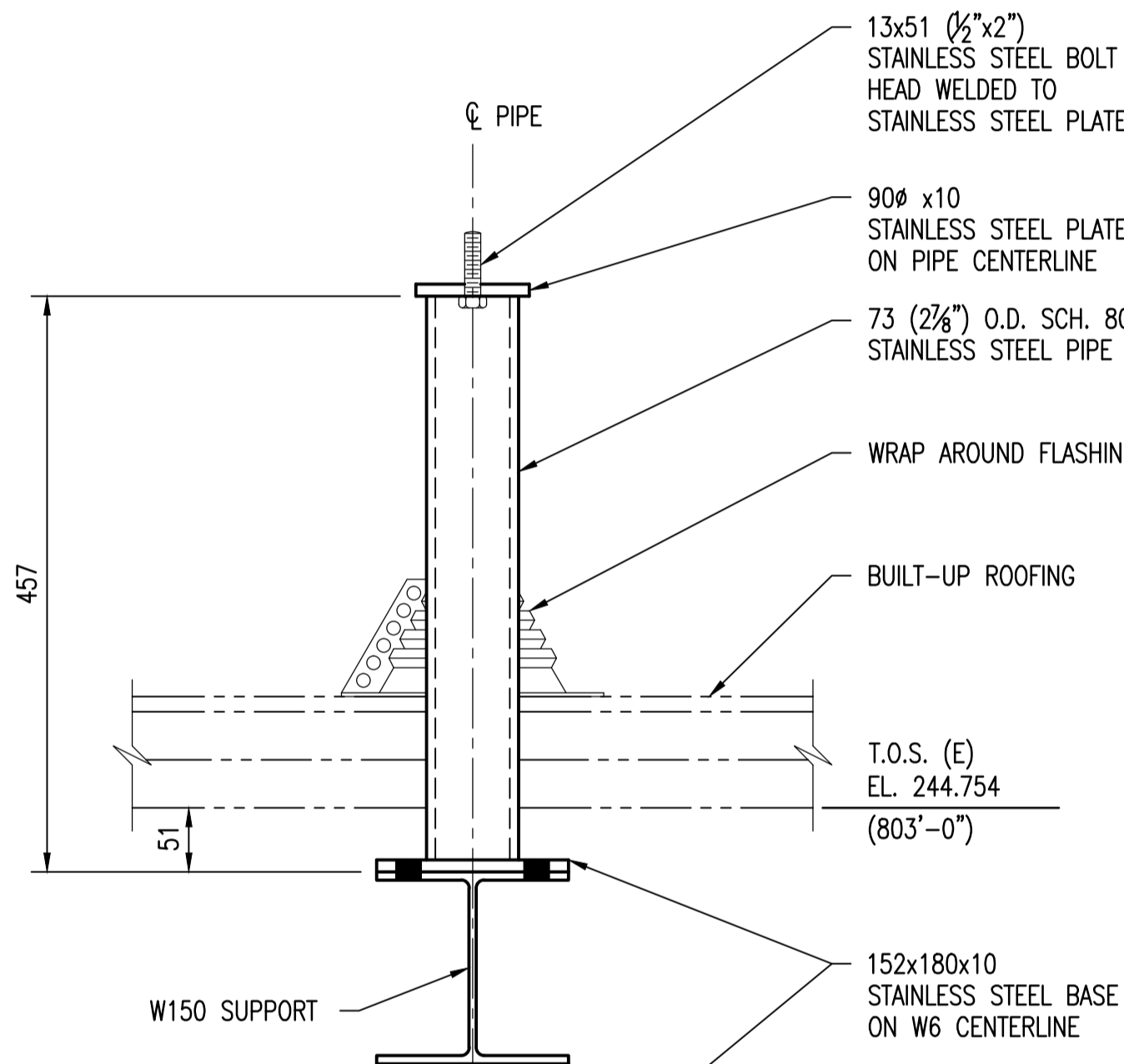
PARTIAL PLAN - PENTHOUSE ROOF FRAMING @ T.O.S. EL. 244.754 (803'-0") U.N.O.
SCALE: 1 : 30

F.M. - FIELD MEASURED

LOCATION OF GUY WIRE POSTS AND EXHAUST STACK PIPE POSTS TO BE COORDINATED WITH THE MECHANICAL CONTRACTOR



DETAIL 1
SCALE: 1 : 5
3 LOCATIONS



DETAIL 2
SCALE: 1 : 5
4 LOCATIONS

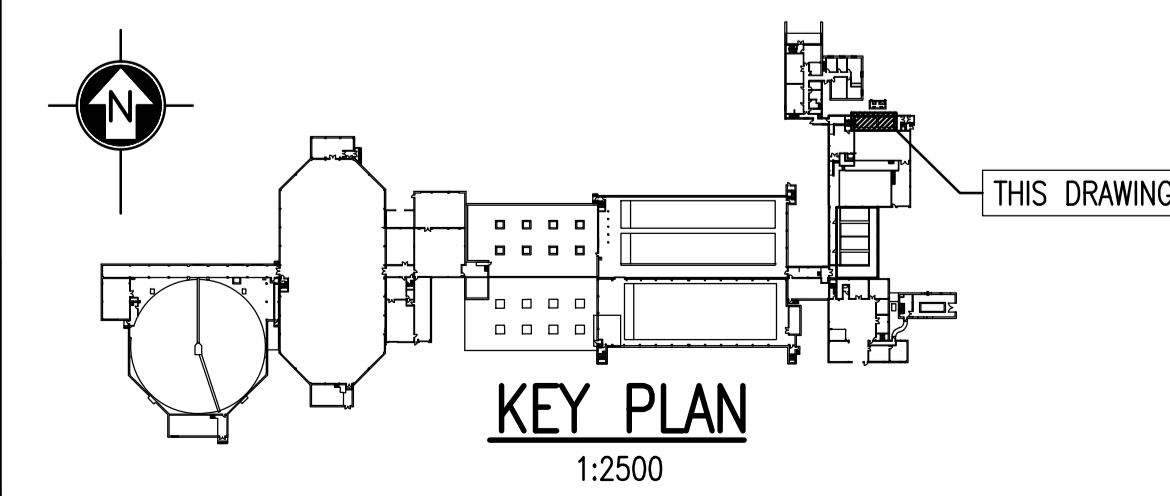
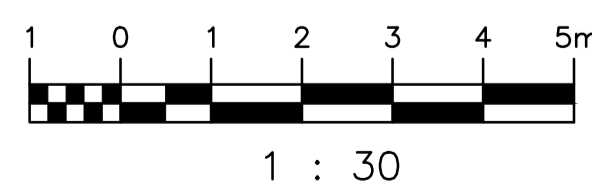
GENERAL NOTES:

- THESE NOTES ARE TO BE READ IN CONJUNCTION WITH THE PROJECT SPECIFICATION.
- THESE NEW INSTALLATIONS HAVE BEEN DESIGNED IN ACCORDANCE WITH THE NATIONAL BUILDING CODE OF CANADA 2005 AND AS REVISED BY THE MANITOBA BUILDINGS AND MOBILE HOMES ACT (C.C.S.M.C. B93) REGULATION 127/2006.
- REFERENCE OR COMPLIANCE WITH A STANDARD SHALL MEAN REFERENCE TO THE CURRENT EDITION OF THAT STANDARD AS WELL AS SUPPLEMENTS AND ALL DOCUMENTS REFERENCED THEREIN UNLESS REFERENCE TO A SPECIFIC DOCUMENT VERSION IS MADE.
- THE CONTRACTOR SHALL COMPLY WITH ALL HEALTH AND SAFETY REQUIREMENTS AND REGULATIONS FOR THE PROVINCE OF MANITOBA.
- THE DRAWINGS SHOW THE COMPLETED STRUCTURAL SYSTEM; THEY DO NOT SHOW WHICH MAY BE NECESSARY FOR SAFETY DURING CONSTRUCTION. THE CONTRACTOR IS RESPONSIBLE FOR SAFETY IN AND AROUND THE JOB SITE.
- ALL WORK IN THE FIELD TO INCORPORATE PROPER SAFETY PRECAUTIONS TO ENSURE THE SAFETY OF THE WORKERS AND PREVENT DAMAGE TO ALL EXISTING EQUIPMENT AND STRUCTURES.
- DO NOT SCALE DRAWINGS
- VERIFY ALL DIMENSIONS, ELEVATIONS AND EXTENT OF WORK WITH DRAWINGS AND REPORT ANY DISCREPANCIES OR CONFLICTS TO THE CONTRACT ADMINISTRATOR PRIOR TO PROCEEDING WITH CONSTRUCTION. DO NOT DIMENSION FROM ELECTRONIC DRAWINGS. REWORK OF ITEMS FABRICATED PRIOR TO IDENTIFICATION OF DISCREPANCIES AND/OR CONFLICTS SHALL BE AT NO ADDITIONAL COST TO THE CITY.
- LOCATE SERVICES AND PROTECT THEM AT ALL TIMES DURING CONSTRUCTION.
- STRUCTURAL INTEGRITY OF EXISTING STRUCTURES TO BE MAINTAINED DURING CONSTRUCTION.
- REPORT ANY UNSOUND CONDITIONS OBSERVED OR CREATED IMMEDIATELY TO THE CONTRACT ADMINISTRATOR.
- MODIFICATIONS, ALTERATIONS, OR SUBSTITUTIONS MUST BE AUTHORIZED IN WRITING BY THE CONTRACT ADMINISTRATOR PRIOR TO ANY FABRICATION OR ERECTION.
- ALL CONTRACTOR MEANS AND METHODS, INCLUDING TEMPORARY SCAFFOLDING SHALL BE ERECTED AND REMOVED BY AN APPROPRIATELY EXPERIENCED INSTALLATION CONTRACTOR IN ACCORDANCE WITH MANITOBA REGULATION 217/2006. SCAFFOLDING TO BE DESIGNED AND APPROVED FOR USE IN ACCORDANCE WITH SECTION 28 OF 217/2006.

MATERIALS:

- HSS 152x100x6, W200x19, W150x22, CLIP ANGLES AND END PLATES TO BE STRUCTURAL STEEL PAINTED.
- 73 (2 7/8") O.D. SCH. 80 PIPE AND ASSOCIATED BASE PLATES TO BE STAINLESS STEEL.
- WRAP AROUND FLASHING TO BE MASTER FLASH SPLIT DESIGN WRAP AROUND OR APPROVED EQUAL IN ACCORDANCE WITH B6.

| | |
|----------------|---|
| S.E.P.-28 | PUMP & SCREEN BLDG. - STRUCTURAL ROOF & PENTHOUSE DETAILS |
| DRAWING NUMBER | REFERENCE DRAWINGS |



| | | | | |
|-----|--------------------------------------|------------|--------|-------|
| 00 | ISSUED FOR TENDER, BID OPP. 545-2012 | 2012/11/26 | B.D. | D.S. |
| NO. | REVISIONS | DATE | DESIGN | CHECK |

| | |
|---|--|
| SNC-LAVALIN INC. 148 Nature Park Way Winnipeg, MB, Canada R3P 0X7 204-786-8080 | |
| DESIGNED BY: B. DICKSON | CHECKED BY: D. SIDHU |
| DRAWN BY: B. DICKSON | APPROVED BY: C. REIMER |
| SCALE: AS NOTED | RELEASED FOR CONSTRUCTION BY: NEIL HARRINGTON |
| DATE: 2012/11/08 | DATE: 2012/10/10 |
| CONSULTANT NO.: 112577-0116-42DD-0008 | |

ENGINEER'S SEAL
ORIGINAL DRAWING
SEALED BY:
D. S. SIDHU
SNC-LAVALIN
MEMBER #24837
2012/11/26
REV. 00

THE CITY OF WINNIPEG
WATER AND WASTE DEPARTMENT

SOUTH END WATER POLLUTION CONTROL CENTRE
VENTILATION AND MISCELLANEOUS UPGRADES
PLAN & DETAILS
GRIT VENTILATION PENTHOUSE
G686-EF ROOF STACK SUPPORTS

CITY DRAWING NUMBER: 1-0102G-S0020
SHEET: 001
REV: 00
SIZE: A1