

FAN SCHEDULE

TAG	SERVICE	AIRFLOW (L/S)	ESP (PA)	MOTOR (KW)	VOLTS	MAKE	MODEL	NOTES
G601-SF	WETWELL SUPPLY AIR	1201	500	1.5	600	GREENHECK	BSQ160HD	MOTOR TO BE INVERTER DUTY RATED. FLOOR MOUNTED ON SPRING ISOLATORS.
G602-SF	WETWELL SUPPLY AIR	3013	500	3.7	600	GREENHECK	BSQ360HD	MOTOR TO BE INVERTER DUTY RATED. FLOOR MOUNTED ON SPRING ISOLATORS.
G686-EF	WETWELL EXHAUST	2115	500	3.7	600	MK PLASTICS	AXTC 1825	FRP CONSTRUCTION, VERTICAL BASE MOUNT, TOP PRE-DRILLED MEETING FLANGE, 3 COMPANION FLANGES AND 2 SLEEVES, 2 FPVC FLEXIBLE CONNECTORS WITH STAINLESS STEEL STRAPS, SPARK B, MOTOR INVERTER DUTY RATED.
G687-EF	WETWELL EXHAUST	4230	500	7.5	600	MK PLASTICS	AXTC 2700	FRP CONSTRUCTION, VERTICAL BASE MOUNT, TOP PRE-DRILLED MEETING FLANGE, 3 COMPANION FLANGES AND 2 SLEEVES, 2 FPVC FLEXIBLE CONNECTORS WITH STAINLESS STEEL STRAPS, SPARK B, MOTOR INVERTER DUTY RATED.
G692-EF	GRIT BUILDING ELECTRICAL ROOM EXHAUST	630	620	1.1	600	GREENHECK	BSQ-130HP-15	MOTOR TO BE INVERTER DUTY RATED. FLOOR MOUNTED ON SPRING ISOLATORS.

PUMP SCHEDULE

TAG	SERVICE	FLOW (L/S)	PRESSURE (M)	POWER (KW)	VOLTS	PHASE	RPM	MAKE	MODEL
G603-GP	HEAT RECOVERY COIL	1.4	9.15	0.75	575	3	1800	BELL & GOSSETT	80 SERIES 1.5X1.5X7B
G605-GP	HEATING COIL	1.3	9.15	0.75	575	3	1800	BELL & GOSSETT	80 SERIES 1.5X1.5X7B

EXPANSION TANK SCHEDULE

TAG	SERVICE	VOLUME (L)	CONN. (NPT)	MAKE & MODEL
G603-ET	HEAT RECOVERY SYTEM	41	13MM	BELL AND GOSSETT D-20V
G605-ET	HEATING SYSTEM	41	13MM	BELL AND GOSSETT D-20V

HEAT EXCHANGER SCHEDULE

NO.	TYPE	CAPACITY (KW)	HOT SIDE				COLD SIDE				MAKE	MODEL		
			FLUID	EWT (°C)	LWT (°C)	FLOW (L/S)	P.D. (KPA)	FLUID	EGT (°C)	LGT (°C)			FLOW (L/S)	P.D. (KPA)
G603-HE	SHELL & TUBE	59	FLUSHING WATER	10	2.6	10.3	50% PG	-9.0	2.2	1.4	13.1	BELL AND GOSSETT	CHX-860-4S	
G605-HE	PLATE	69	WATER	71.2	54.4	1.3	22.1	50% PG	48.9	65.6	1.3	26.9	BELL AND GOSSETT	P20

HEATING COIL SCHEDULE

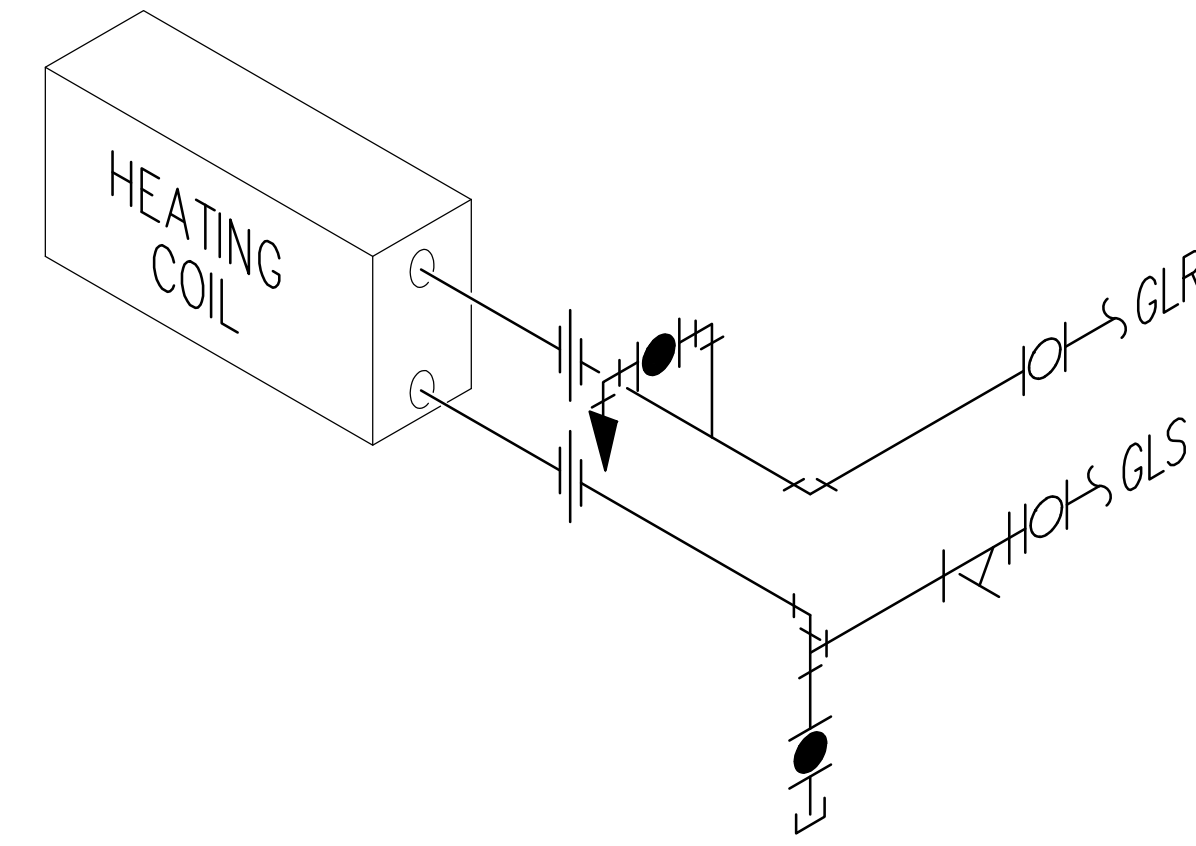
TAG	SERVICE	AIRFLOW (L/S)	VENT (L/S)	VENT LOAD (KW)	CAPACITY (KW)	EAT (°C)	LAT (°C)	AIR ΔP (PA)	FLUID	EFT (°C)	LFT (°C)	FLOW (L/S)	FLUID ΔP M	MAKE & MODEL
G603-HC	HEAT RECOVERY	1220	1220	50	50	-40	-6.5	361	50% PG	2.2	-7.3	1.4	5.2	MCQUAY HEATING COIL
G605-HC	HEATING COIL	1220	1220	71	71	-40	7.2	57	50% PG	65.6	51.3	1.3	0.88	MCQUAY HEATING COIL
G682-HC	HEATING COIL	2260	900	66	72	-6.7	19	25	WATER	71.1	54.4	1.0	1.1	MCQUAY HEATING COIL

GRILLE SCHEDULE

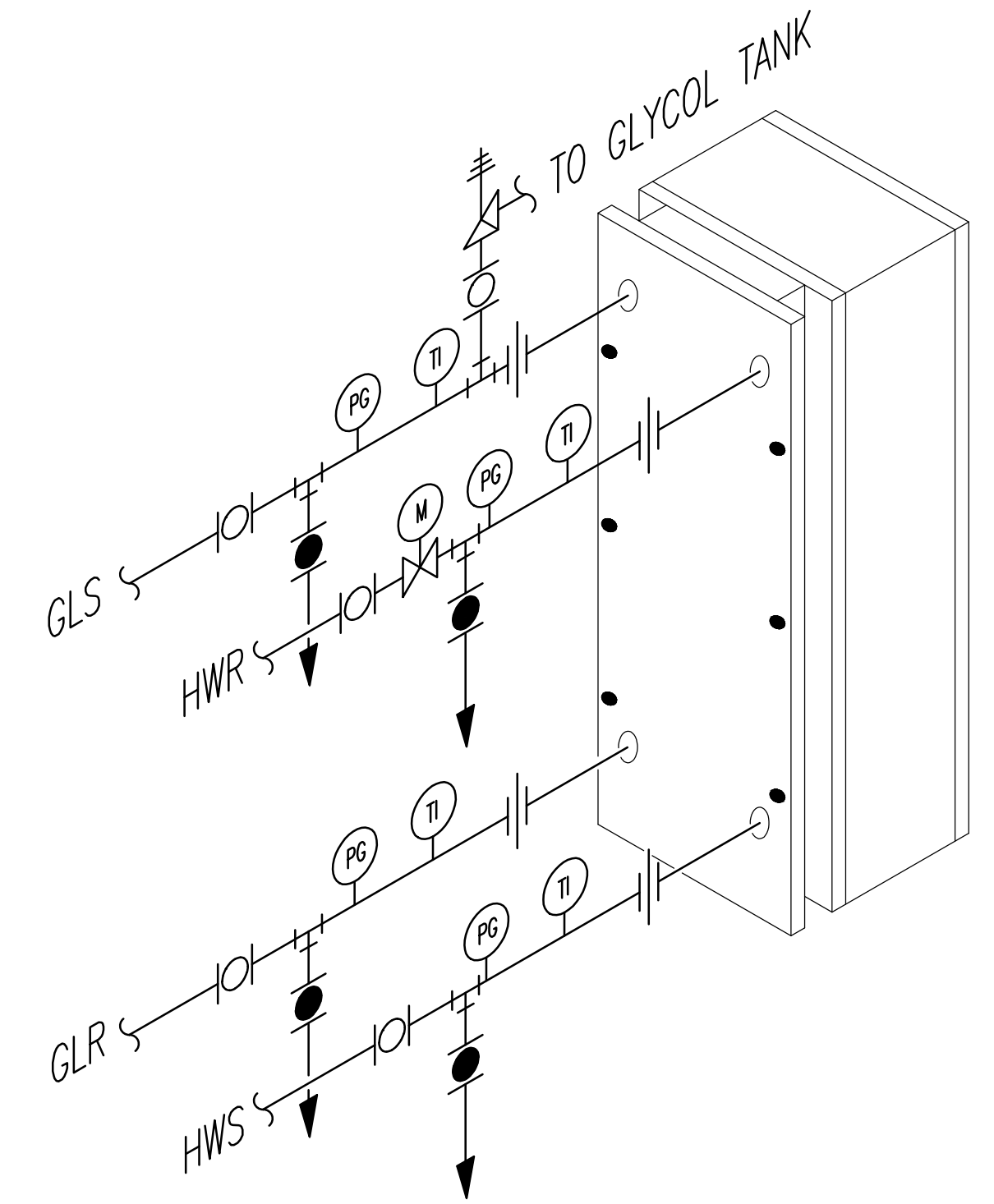
TAG	SERVICE	SIZE (MM)	AIR FLOW (L/S)	TYPE
G116-GR-01	GRIT ELECTRICAL ROOM	1016X250	630	RA-1
G116-GR-02	GRIT ELECTRICAL ROOM	813X660	950	EXISTING
G115-GR-01	GRIT ELECTRICAL ROOM	813X508	680	RA-1
WW-GR-01	WETWELL	254x254	230	SA-1

MULTI-BLADED DAMPER SCHEDULE

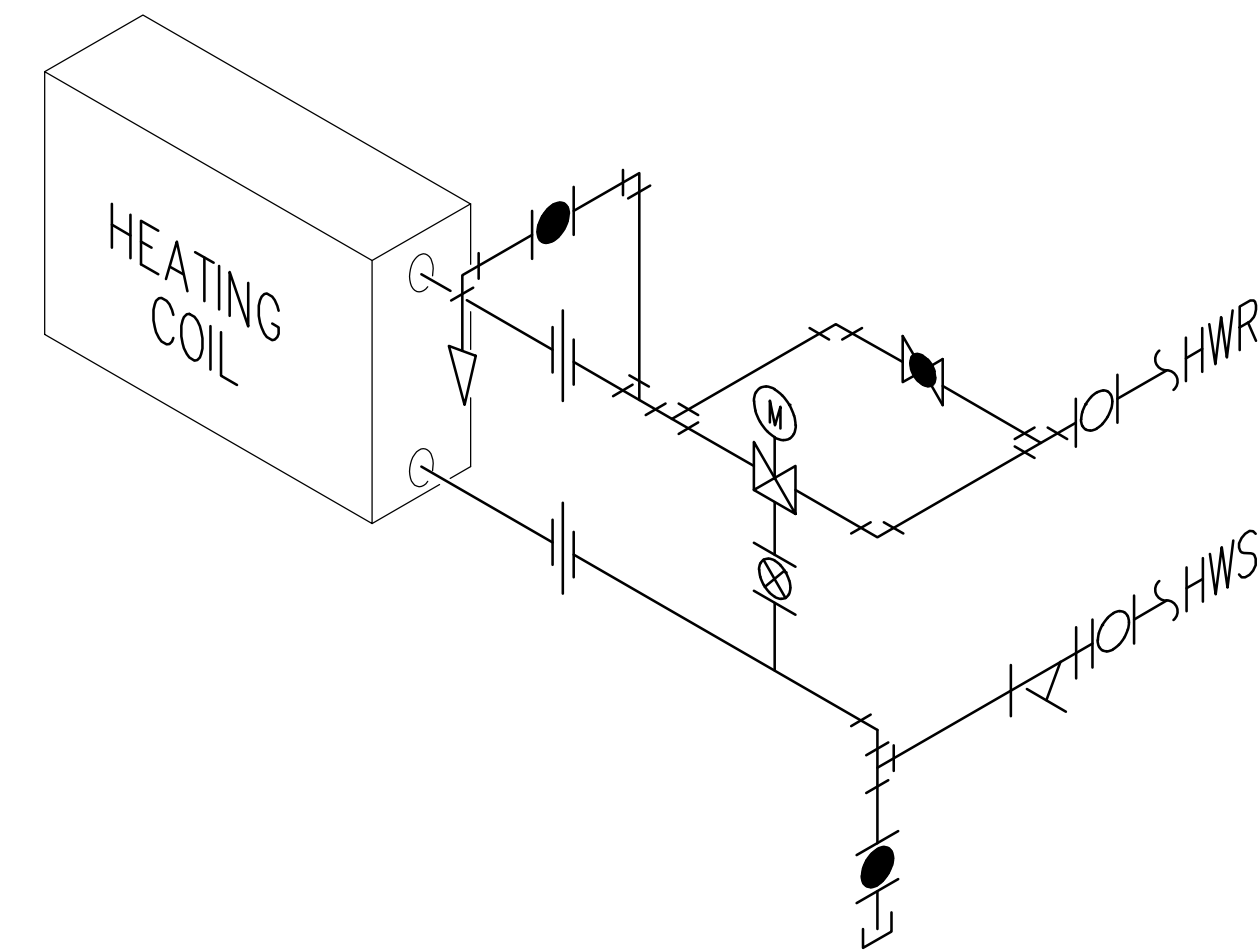
TAG	SERVICE	SIZE	DESCRIPTION	BLADES	NOTES
G601-XV-01	WET WELL SUPPLY	508X508	GREENHECK HCD-230	PARALLEL	C/W SIEMENS GMA ACTUATOR
G601-XV-02	WET WELL SUPPLY	508X508	GREENHECK HCD-230	PARALLEL	C/W SIEMENS GMA ACTUATOR
G602-XV-01	WET WELL SUPPLY	762X762	GREENHECK HCD-230	PARALLEL	C/W SIEMENS GCA ACTUATOR
G602-XV-02	WET WELL SUPPLY	762X762	GREENHECK HCD-230	PARALLEL	C/W SIEMENS GCA ACTUATOR
G602-XV-03	WET WELL SUPPLY	762X762	GREENHECK HCD-230	PARALLEL	C/W SIEMENS GCA ACTUATOR
G686-XV-01	WET WELL EXHAUST	457#	GREENHECK HCDR-150	ROUND	C/W SIEMENS GMA ACTUATOR
G687-XV-01	WET WELL EXHAUST	813x813	GREENHECK HCD-230	PARALLEL	C/W PNEUMATIC ACTUATOR
G962-XV-01	GRIT BLDG ELECT. RM EXHAUST FAN	457X305	GREENHECK HCD-230	PARALLEL	C/W PNEUMATIC ACTUATOR
G682-FV-01	GRIT BLDG ELECT. RM OUTSIDE AIR	EXISTING			SUPPLY NEW SIEMENS GCA ACTUATOR
G682-FV-02	GRIT BLDG ELECT. RM RETURN AIR	EXISTING			SUPPLY NEW SIEMENS GCA ACTUATOR
G682-PV-01	GRIT BLDG ELECT. RM RELIEF	EXISTING			SUPPLY NEW SIEMENS GCA ACTUATOR



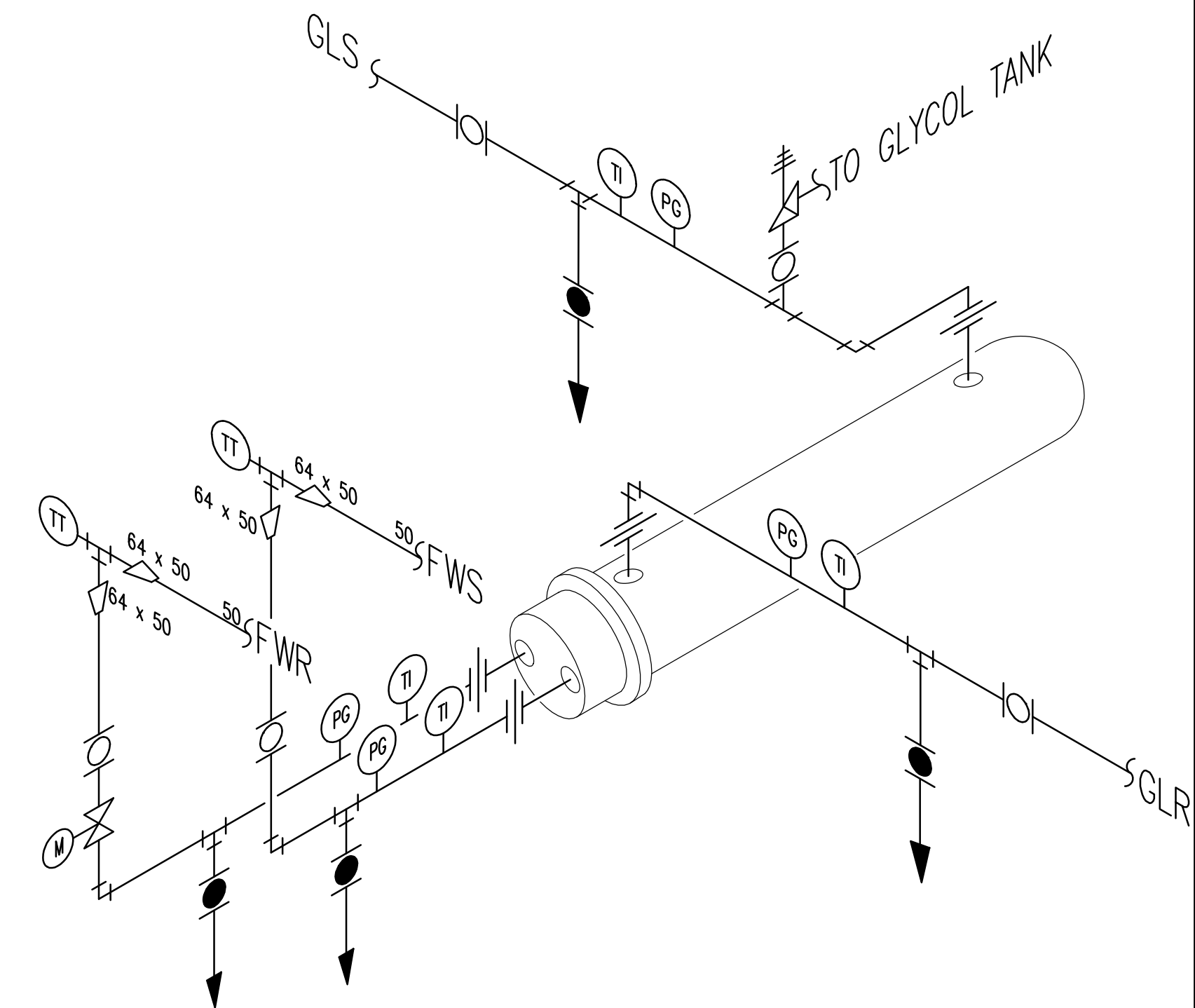
G603-HC & G605-HC ISOMERIC
SCALE: NTS



G605-HE ISOMERIC
SCALE: NTS



G682-HC ISOMERIC
SCALE: NTS



G603-HE ISOMERIC
SCALE: NTS



NO.	REVISIONS	DATE	DESIGN	CHECK
00	ISSUED FOR TENDER, BID OPP. 545-2012	2012/11/20	TRS	SN

		SNC-LAVALIN INC. 148 Nature Park Way Winnipeg, MB, Canada R3P 0X7 204-786-8080		ENGINEER'S SEAL
DESIGNED BY: S. NORSWORTHY	CHECKED BY: S. NORSWORTHY	DRAWN BY: K. MOHAMMED	APPROVED BY: C. REIMER	ORIGINAL DRAWING SEALED BY: S. S. NORSWORTHY SNC-LAVALIN MEMBER #20725 2012/11/23 REV. 00
SCALE: NTS	RELEASED FOR CONSTRUCTION BY: NEIL HARRINGTON	DATE: 2012/01/20	DATE: 2012/10/10	
CONSULTANT NO.: 112577-0116-450D-0111				

THE CITY OF WINNIPEG WATER AND WASTE DEPARTMENT			
SOUTH END WATER POLLUTION CONTROL CENTRE VENTILATION & MISC. UPGRADES SCHEDULES AND DETAILS WET WELL VENTILATION			
CITY DRAWING NUMBER	SHEET	REV.	SIZE
1-0102G-M0011	001	00	A1