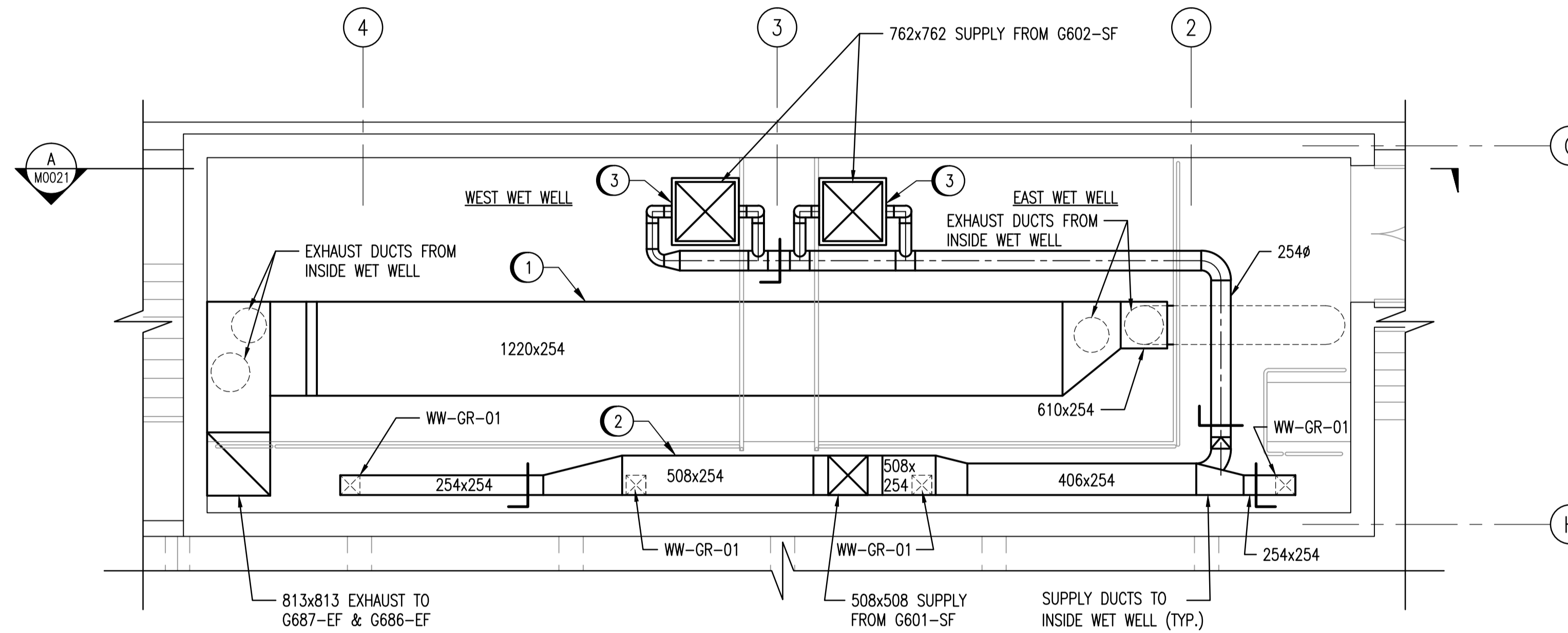


KEYPLAN



1 WET WELL PLAN AT ELEV. 238  
SCALE: 1 : 50

NO.	CONSTRUCTION NOTES
1	SUPPLY AND INSTALL STAINLESS STEEL EXHAUST DUCTING IN ACCORDANCE WITH SMACNA STANDARDS.
2	SUPPLY AND INSTALL STAINLESS STEEL SUPPLY DUCTING AT HIGH LEVEL OF WET WELL AREA.
3	SUPPLY AND INSTALL STAINLESS STEEL SUPPLY DUCTING IN ACCORDANCE WITH SMACNA STANDARDS. SEE M0028 DUCT DETAILS.



NO.	REVISIONS	DATE	DESIGN	CHECK
00	ISSUED FOR TENDER, BID OPP. 545-2012	2012/09/10	TRS	SN

SNC-LAVALIN INC. 148 Nature Park Way Winnipeg, MB, Canada R3P 0X7 204-798-8080	
DESIGNED BY: S. NORSWORTHY	CHECKED BY: S. NORSWORTHY
DRAWN BY: K. MOHAMMED	APPROVED BY: C. REIMER
SCALE: 1:50	RELEASED FOR CONSTRUCTION BY: NEIL HARRINGTON DATE: 2012/10/10
DATE: 2012/01/20	DATE: 2012/10/10
CONSULTANT NO.: 112577-0116-450D-0109	

ENGINEER'S SEAL  
  
ORIGINAL DRAWING  
SEALED BY:  
S. S. NORSWORTHY  
SNC-LAVALIN  
MEMBER #20725  
2012/10/11  
REV. 00

THE CITY OF WINNIPEG WATER AND WASTE DEPARTMENT			
SOUTH END WATER POLLUTION CONTROL CENTRE VENTILATION & MISC. UPGRADES HVAC DUCTING PLAN WET WELL VENTILATION			
CITY DRAWING NUMBER	SHEET	REV.	SIZE
1-0102G-M0009	001	00	A1