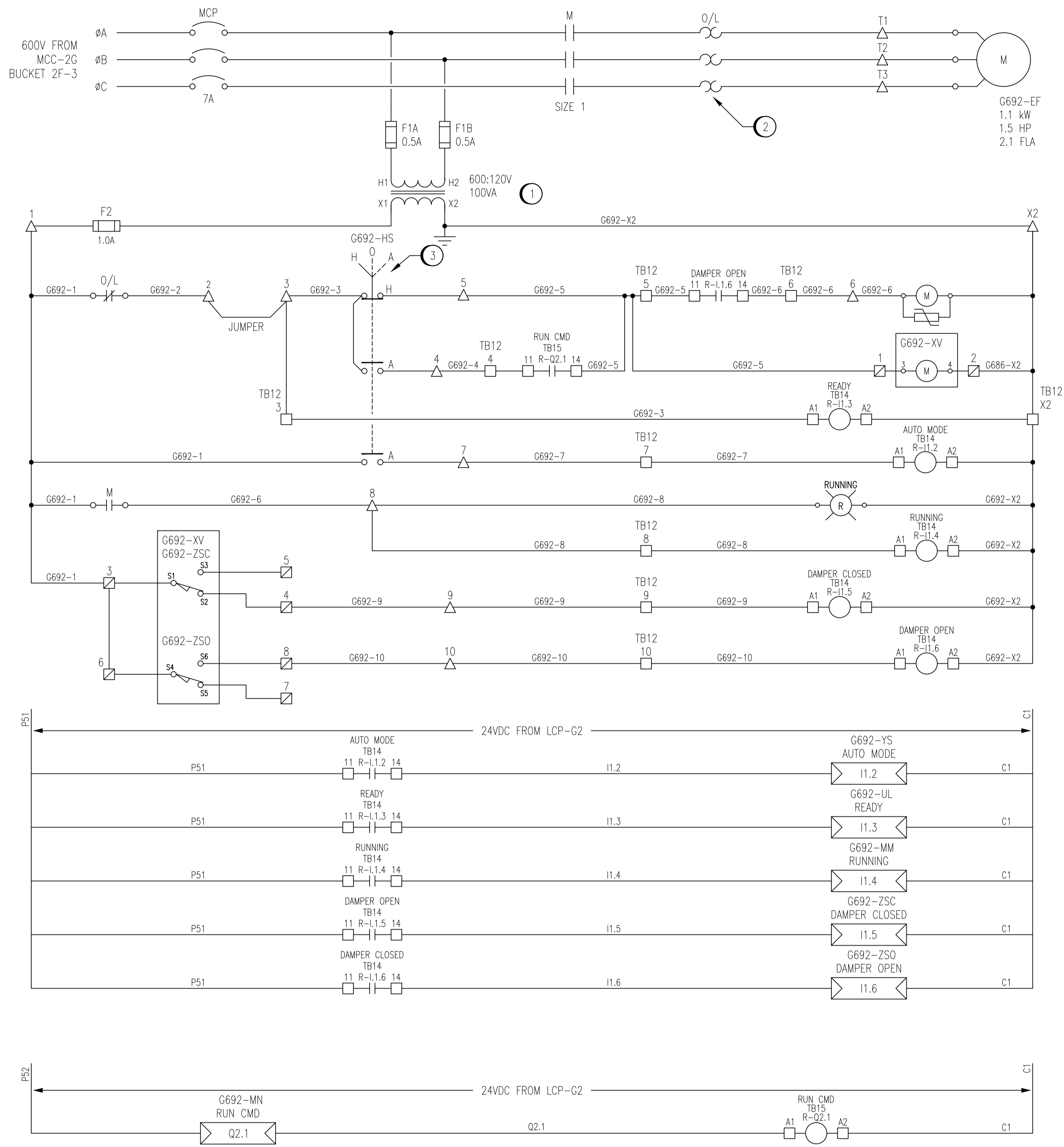
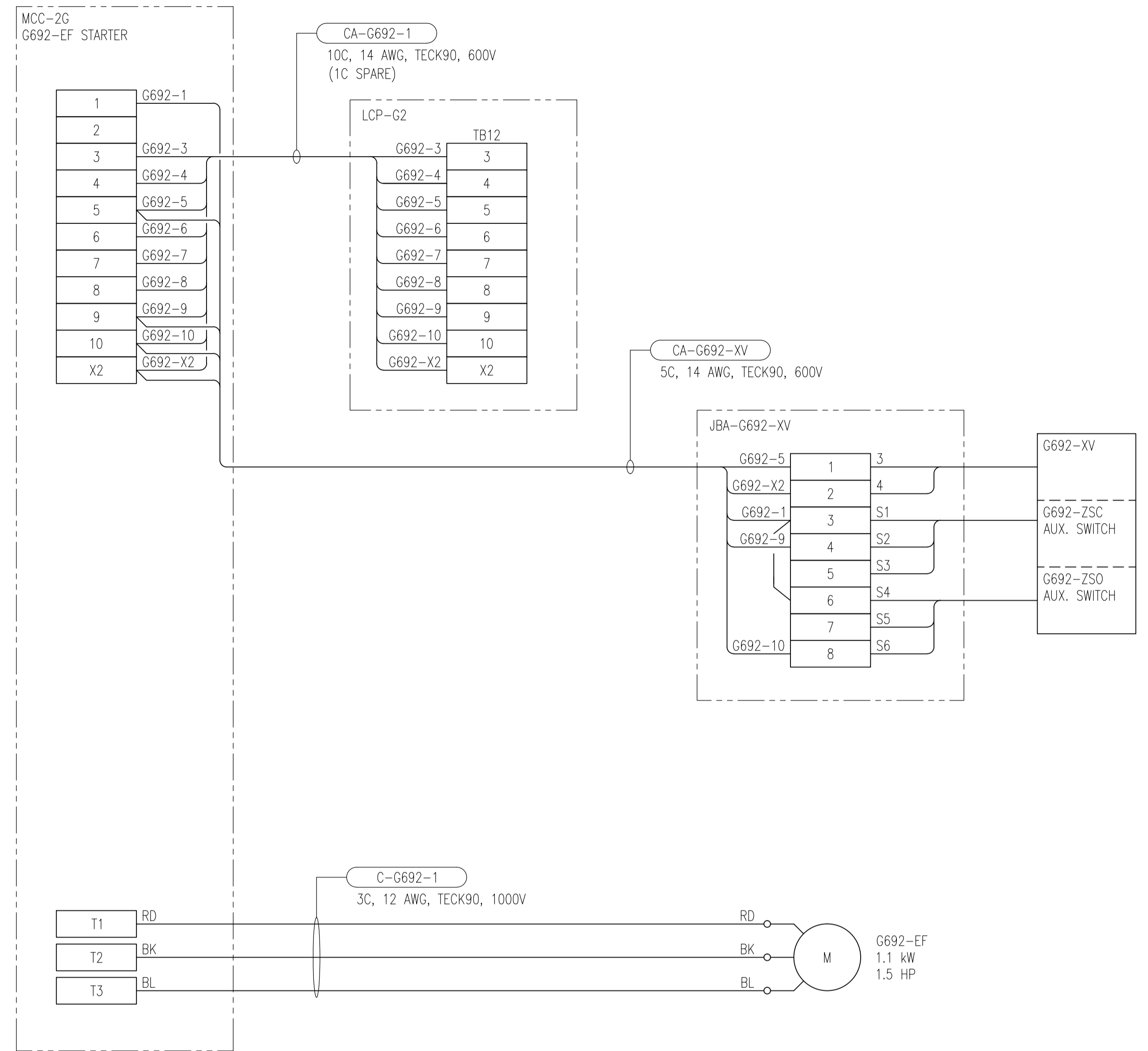


ELEMENTARY DIAGRAM:



FIELD CONNECTION DIAGRAM:



LEGEND:

- △ MCC TERMINAL
- PLC CABINET TERMINAL
- ⊠ JUNCTION BOX TERMINAL
- ◀▶ PLC OUTPUT
- ▶◀ PLC INPUT

CONSTRUCTION NOTES:

- 1 MODIFY MCC BUCKET AS SHOWN.
- 2 REPLACE OVERLOAD TO SUIT MOTOR. MARK NEW OVERLOAD MODEL RATING ON THE AS-BUILT MARK UP.
- 3 ADD HOA SWITCH TO FRONT OF MCC BUCKET.

NOTES:

1. THIS DRAWING SUPERSEDES SEP-2117.



		SNC-LAVALIN INC. 148 Nature Park Way Winnipeg, MB, Canada R3P 0X7 204-786-8080		ENGINEER'S SEAL				
DESIGNED BY: I. CHURCH	CHECKED BY: C. REIMER	THE CITY OF WINNIPEG WATER AND WASTE DEPARTMENT		SOUTH END WATER POLLUTION CONTROL CENTRE VENTILATION & MISC UPGRADES MOTOR SCHEMATIC G692-EF EXHAUST FAN				
DRAWN BY: M.J. PERSSON	APPROVED BY: C. REIMER	SCALE: NTS RELEASED FOR CONSTRUCTION BY: N. HARRINGTON DATE: 2011/11/09 DATE: 2012/09/10						
NO. REVISIONS		DATE: 2012/09/10	DESIGN: TMC CHECK: CJR	CONSULTANT NO.: 112577-0116-47DD-0008	CITY DRAWING NUMBER 1-0102G-E0042	SHEET 001	REV. 00	SIZE A1

SEP-830	MCC-2G LAYOUT
1-0102G-A0107	PANEL LAYOUT, LCP-G2
DRAWING NUMBER	REFERENCE DRAWINGS