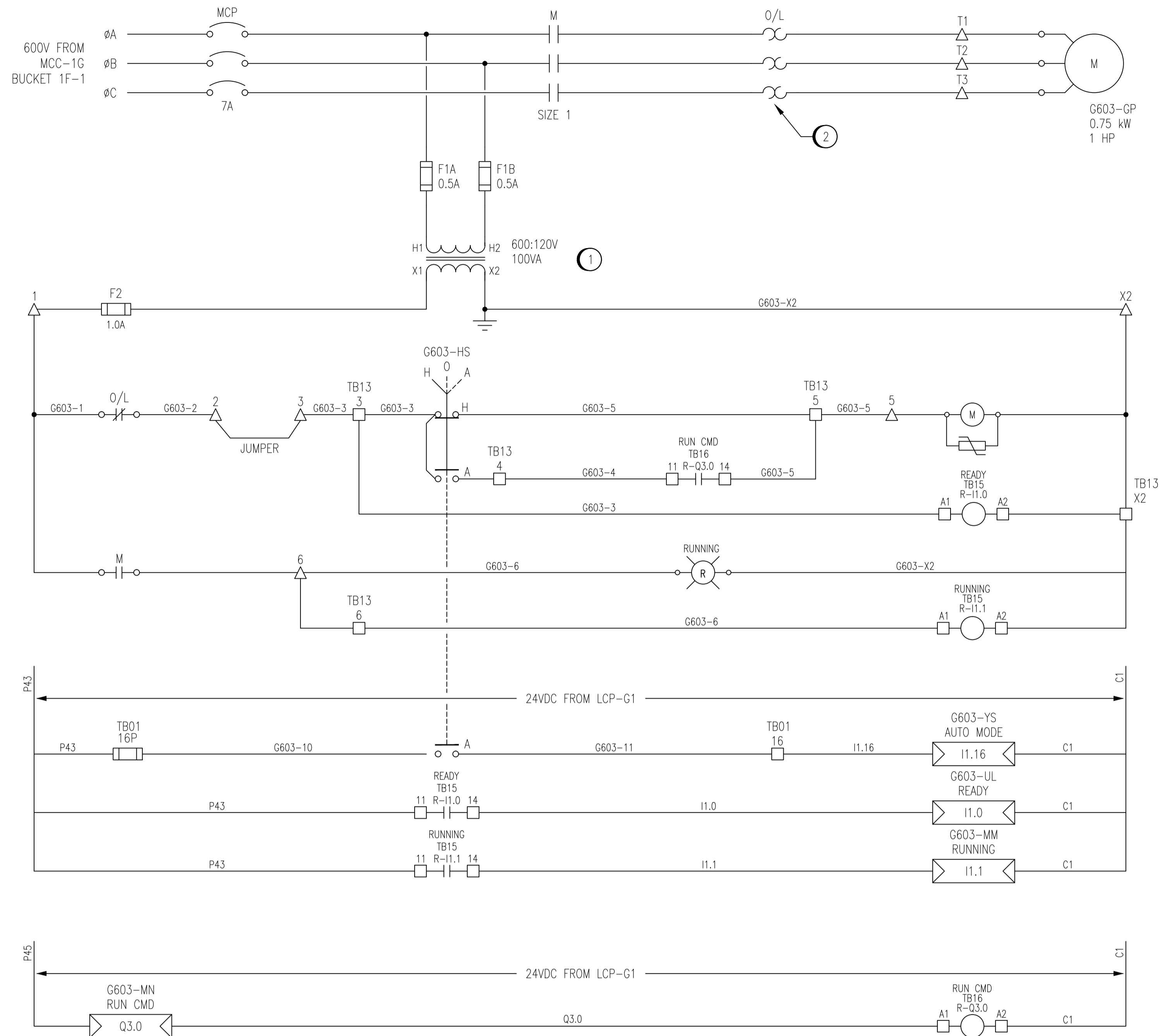


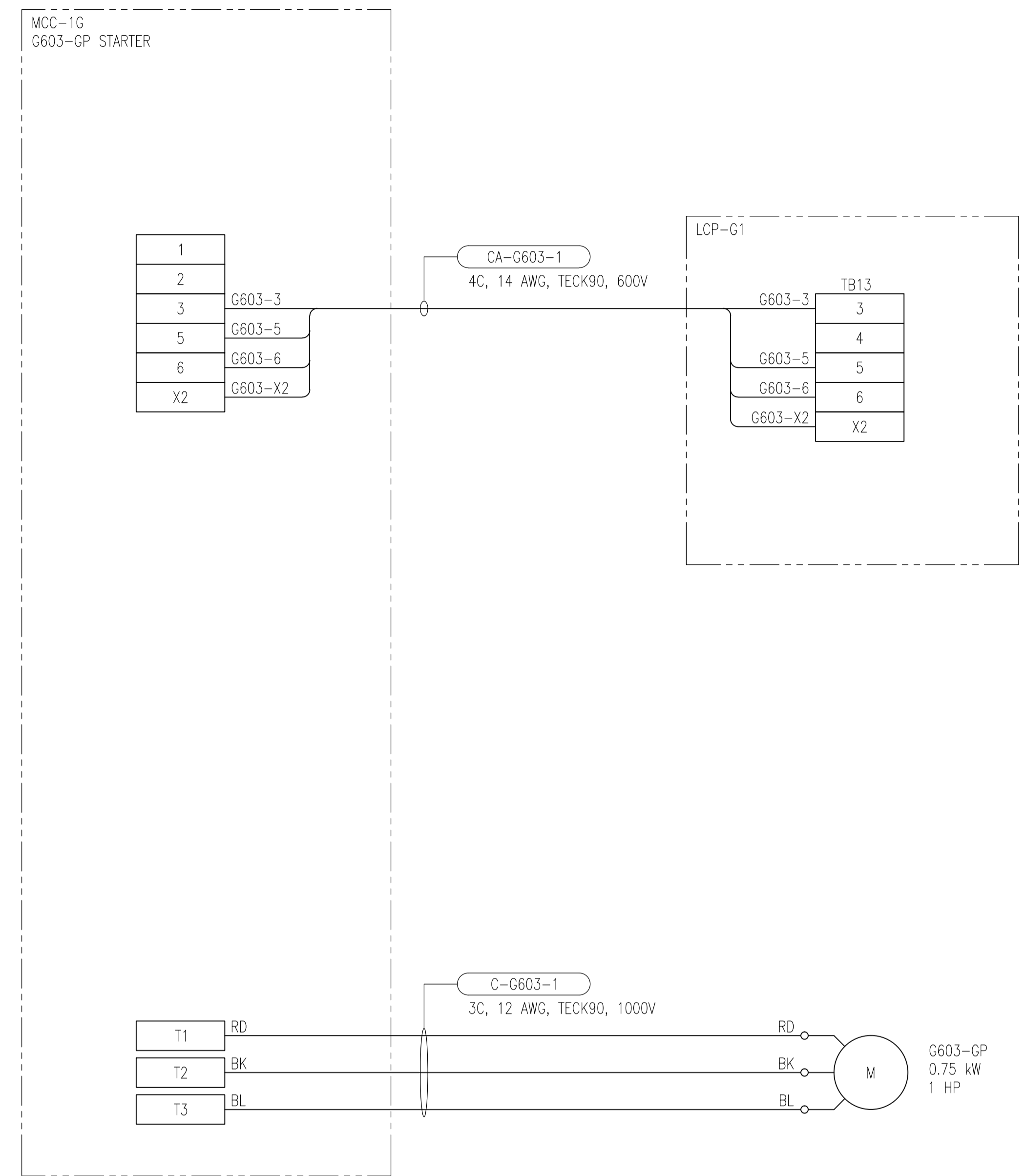
ELEMENTARY DIAGRAM:



**LEGEND:**

△	MCC TERMINAL
□	PLC CABINET TERMINAL
◀▶	PLC OUTPUT
▶◀	PLC INPUT

FIELD CONNECTION DIAGRAM:



**CONSTRUCTION NOTES:**

- 1 MODIFY MCC BUCKET AS SHOWN.
- 2 REPLACE OVERLOAD TO SUIT MOTOR. MARK NEW OVERLOAD MODEL RATING ON THE AS-BUILT MARK UP.

LAST SAVE: 2012/10/09 - 10:55am  
 PATH: M:\112577\0116\4ENG\47ELE\DD - General DWG\1-0102G-E0040-001-00.dwg

SEP-829	MCC-1G LAYOUT
1-0102G-A0100	PANEL LAYOUT, LCP-G1
DRAWING NUMBER	REFERENCE DRAWINGS



SNC-LAVALIN INC. 148 Nature Park Way Winnipeg, MB, Canada R3P 0X7 204-786-8080		ENGINEER'S SEAL	THE CITY OF WINNIPEG WATER AND WASTE DEPARTMENT	
DESIGNED BY: I. CHURCH DRAWN BY: M.J. PERSSON SCALE: NTS DATE: 2012/01/25	CHECKED BY: C. REIMER APPROVED BY: C. REIMER RELEASED FOR CONSTRUCTION BY: N. HARRINGTON DATE: 2012/09/10	SOUTH END WATER POLLUTION CONTROL CENTRE VENTILATION & MISC UPGRADES MOTOR SCHEMATIC G603-GP GLYCOL PUMP		
NO. 00 REVISIONS	DATE 2012/09/10 DESIGN TMCC CHECK REIM	CONSULTANT NO.: 112577-0116-47DD-0006	CITY DRAWING NUMBER 1-0102G-E0040	
		SHEET 001	REV. 00	SIZE A1